

Structure ID: JB G

P1 MH060BA48

MH BASE T/n

P4) 24" - CASTING HEIGHT - 4" P3) 60" - MH FLAT TOP w/ 24" ECC Hole F/G - 13" P2) 60" - MH RISER Custom Ht T/G - 35" P1) 60" - MH BASE T/n - 48" 2) 60" - SGL 1"x14.5' Butyl (2x) 2) Hole - 38 4) MH Step ML-10-TDS-NCR - 10"	0 lb 2869 lb 3654 lb 6524 lb 0 lb 0 lb 0 lb ----- 13047 lb	Structure Notes: 1. PER ASTM C478 SPECIFICATIONS. 2. CONCRETE = 4,000 PSI AT 28 DAYS. 3. HOE KY-206 BY ICAST 4. REINFORCING PER ASTM A615 (GRADE 60). - TOP SLAB (As .62) #5 BARS AT 6" C.C.E.W.. - RISER/WALLS (As .18) - FLOOR (As .37) #5 BARS AT 10" C.C.E.W.
---	--	---

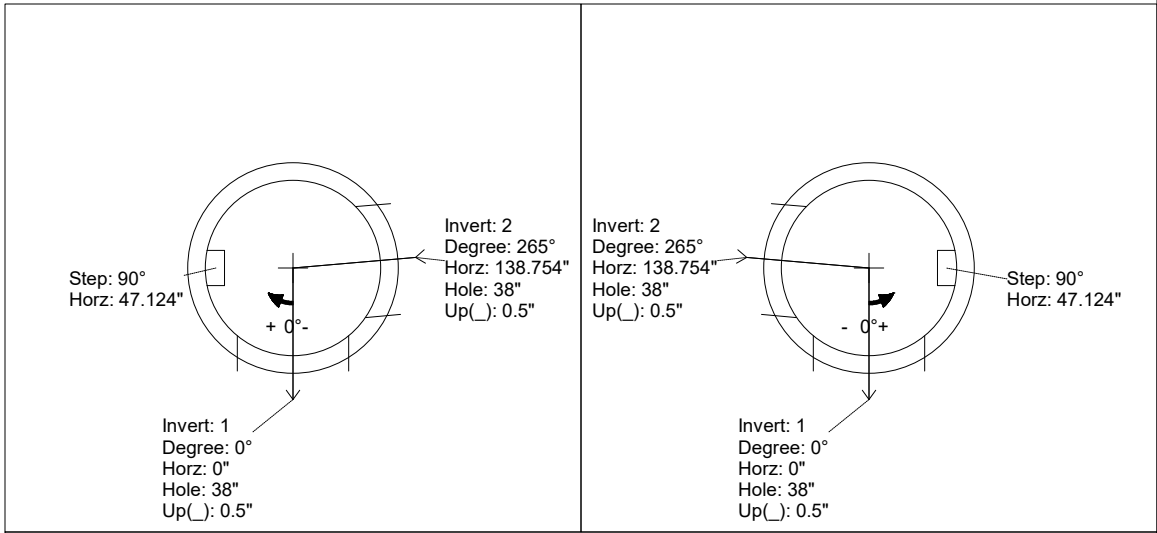
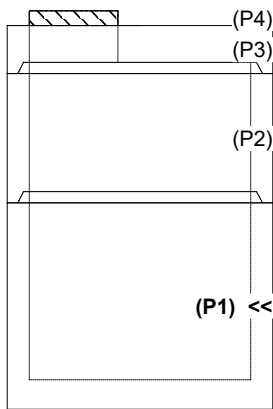
Structure Total: 13047 lb

Rim: 741' Rim to Invert: 8.11' Slack: 0.37" Sump: 3.05" Step Position: 90°

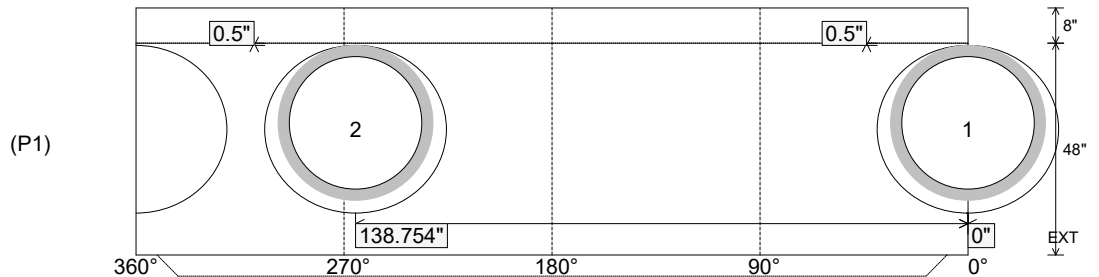
Position	Elev	Angle	Ext. (cw)	Pipe	Pipe OD	Connector	Hole	Horz Size	Up ()	Offset
Invert 1	732.89'	0°	0"	30" HDPE	35.1"	Hole 38	38"	41.151"	0.5"	0"
Invert 2	732.89'	265°	166.504"	30" HDPE	35.1"	Hole 38	38"	41.151"	0.5"	0"
Invert 3										
Invert 4										
Invert 5										
Invert 6										
Invert 7										
Invert 8										

RIGHT-SIDE UP VIEW (int. dimensions)

UPSIDE-DOWN VIEW (int. dimenions)



INSIDE WALL DIMENSIONS



Coating (Int): Coating (Ext):	Seam Up: Tongue Seam Dn: n/a	Wall Thickness: 6" Floor Height: 8"	Height (Int): 48" Height (Ext): 56"	Weight (Net): 6524 lb Volume (Net): 1.67cu.yd
----------------------------------	---------------------------------	--	--	--