

Job Name: 25-2621 Night Hawk Place Lot 2G Storm
Job Location: Radcliff, KY
Contractor: City of Radcliff

PC: J.Jarvis
 TECH: C.Russ
 Plant: Beaver Dam



Structure ID: DBI F
 Spec: Storm
 Type: STM.MH
 Size: 60"

Rim: 737.07'
 Invert: 733.42'
 Rim to Invert: 3.65'

Sump: 3.05"
 Floor (Top): 733.166'
 Floor Height: 8"

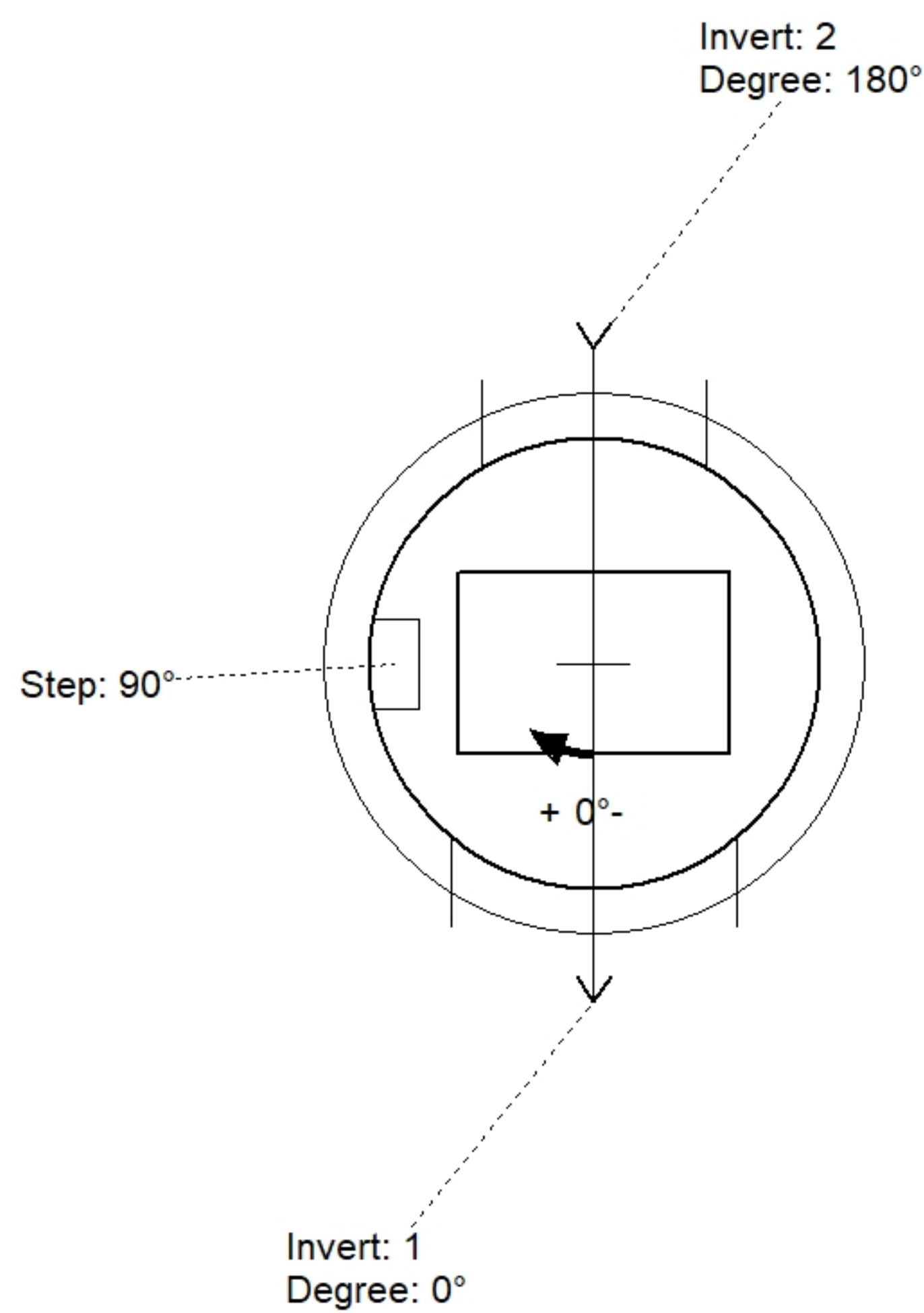
Floor (Bot): 732.499'
 Overall Height: 4.5'
 Slack: 0.85"

Structure Notes:

- PER ASTM C478 SPECIFICATIONS.
- CONCRETE = 4,000 PSI AT 28 DAYS.
- MCB-260-BH BY ICAST
- REINFORCING PER ASTM A615 (GRADE 60).
 - TOP SLAB (As .62) #5 BARS AT 6" C.C.E.W..
 - RISER/WALLS (As .18)
 - FLOOR (As .37) #5 BARS AT 10" C.C.E.W.

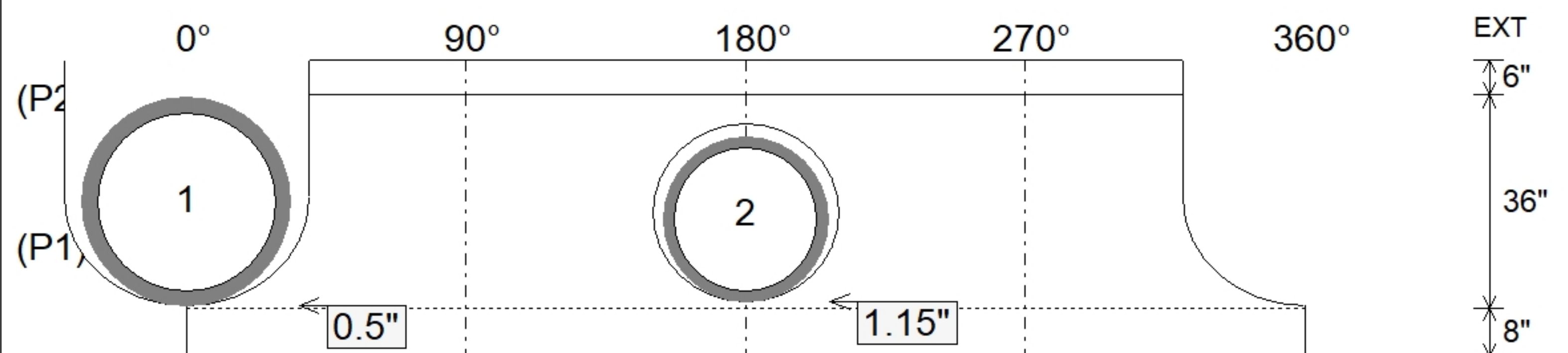
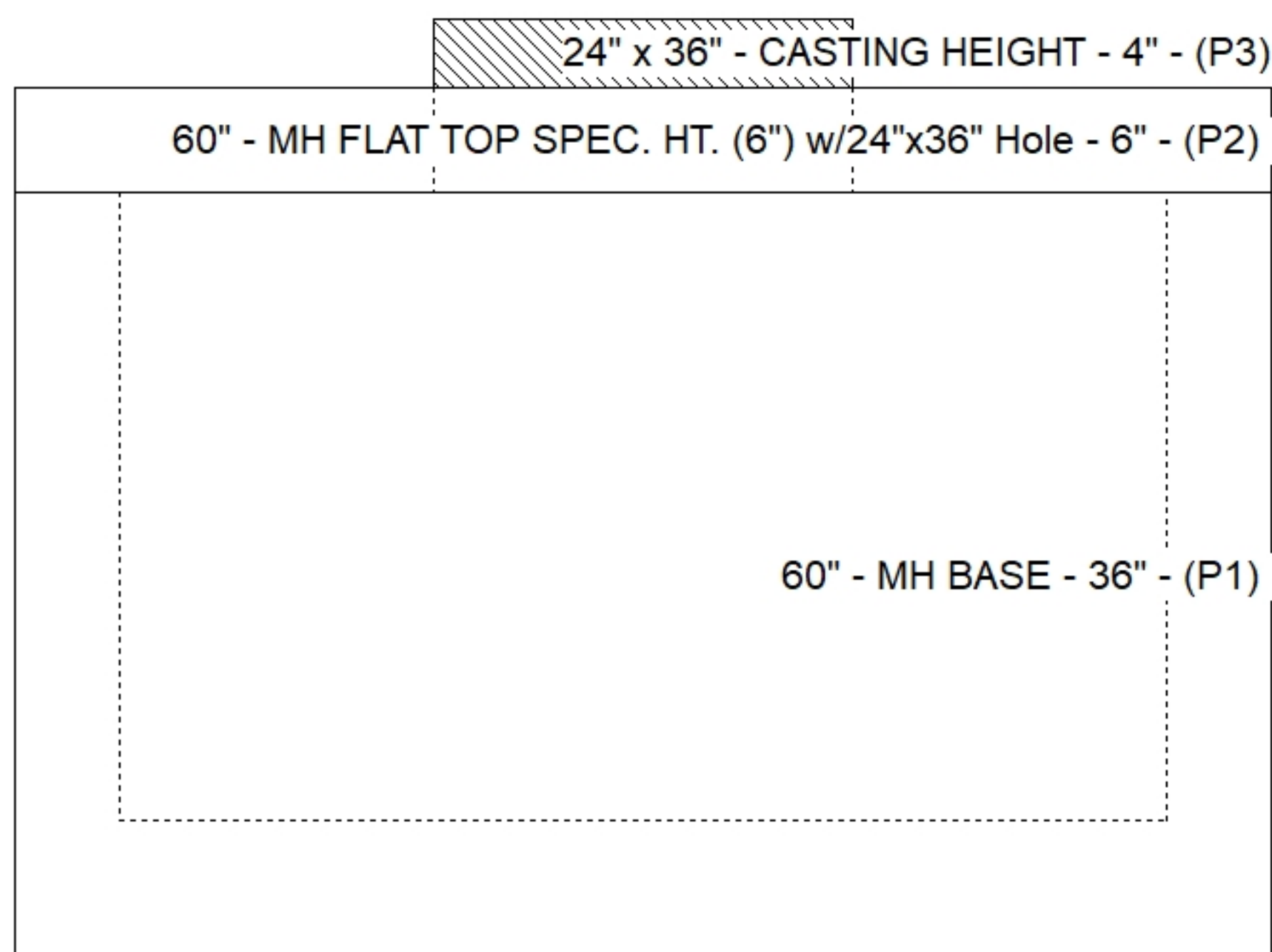
STRUCTURE SUMMARY:

P3) 24" x 36" - CASTING HEIGHT - 4"	0 lb
P2) 60" - MH FLAT TOP SPEC. HT. (6") w/24"x36" Hole - 6"	1135 lb
P1) 60" - MH BASE - 36"	5475 lb
1) 60" - SGL 1"x14.5' Butyl (2x)	0 lb
1) DOGHOUSE INVRTD - 38"x36"	0 lb
1) Hole - 30	0 lb
3) MH Step ML-10-TDS-NCR - 10"	0 lb
Structure Total:	6610 lb



Position	Elev	Angle	Pipe	Pipe OD	Hole	Connector	Up ()	Ref
Rim	737.07'							
Reducer								
Invert 1	733.42'	0°	30" HDPE	35.1"	38" x 36"	DOGHOUSE INVRTD 38"x36"	0.5"	P1
Invert 2	733.42'	180°	24" HDPE	27.8"	30"	Hole 30	1.15"	P1
Invert 3								
Invert 4								
Invert 5								
Invert 6								
Invert 7								
Invert 8								

Default - Interior Dimensions



Submittal Drawing
 11/13/2025 1:44:06 PM

SUBMITTAL
 APPROVED BY: