

**Job Name: 25-2612 - Concord Elementary School Addition**  
**Job Location: Paducah**  
**Contractor: Ainsworth Land Development, LLC**

PC: E. Bradley  
 TECH: J. Horsley  
 Plant: Beaver Dam



Structure ID: **ST-15**

Spec: Storm  
 Type: BX 8inW, 8inF  
 Size: 24" x 24"

Rim: 399.4'  
 Invert: 397.21'  
 Rim to Invert: 2.19'

Sump: 0"  
 Floor (Top): 397.21'  
 Floor Height: 8"

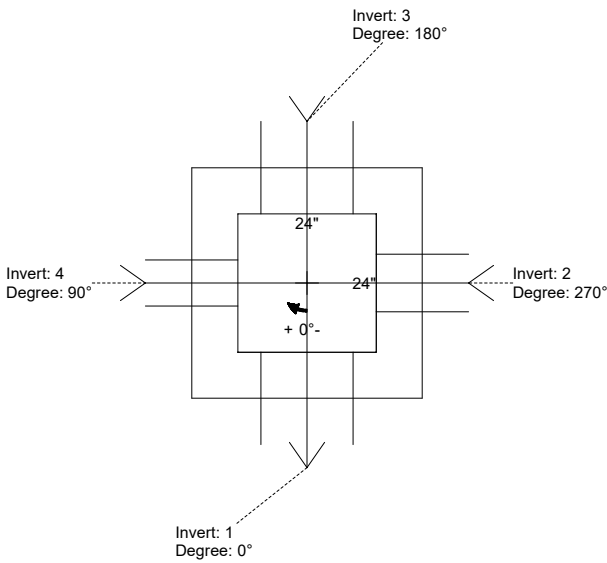
Floor (Bot): 396.543'  
 Overall Height: 2.833'  
 Slack: 0.28"

Structure Notes:

1. PER ASTM C-913 SPECIFICATIONS
2. CONCRETE: 4,000 PSI AT 28 DAYS
3. REINFORCEMENT: #5 BAR @ 12" C.C. E.W. (GRADE 60)
4. NO STORM INVERT
5. NO STEPS
6. HOE 342 FRAME & GRATE SUPPLIED BY ICAST

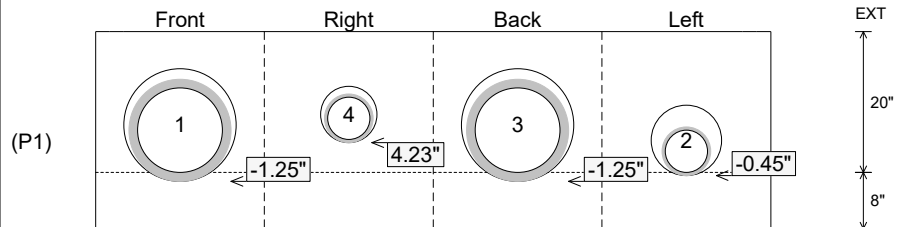
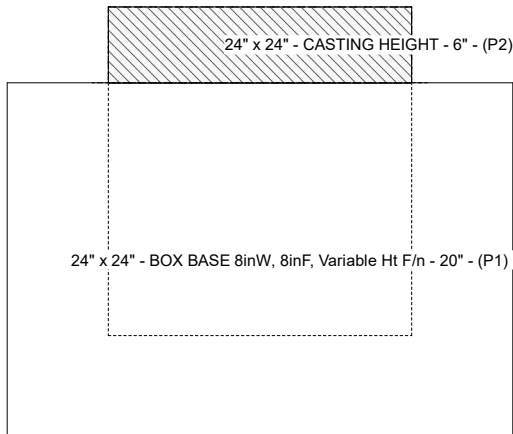
STRUCTURE SUMMARY:

P2) 24" x 24" - CASTING HEIGHT - 6"	0 lb
P1) 24" x 24" - BOX BASE 8inW, 8inF, Variable Ht F/n - 20"	2436 lb
1) CASTING - HOE 342 F/G	250 lb
1) 24" x 24" - Conseal CS-102 1.00"	0 lb
2) Hole - 16	0 lb
1) Hole - 10	0 lb
1) Hole - 8	0 lb
Structure Total:	2686 lb



Position	Elev	Angle	Pipe	Pipe OD	Hole	Connector	Up (Δ)	Ref
Rim	399.4'							
Reducer								
Invert 1	397.21'	0°	12" HDPE	14.5"	16"	Hole 16	-1.25"	P1
Invert 2	397.21'	270°	6" HDPE	6.9"	10"	Hole 10	-0.45"	P1
Invert 3	397.21'	180°	12" HDPE	14.5"	16"	Hole 16	-1.25"	P1
Invert 4	397.6'	90°	6" HDPE (perf pipe)	6.9"	8"	Hole 8	4.23"	P1
Invert 5								
Invert 6								
Invert 7								
Invert 8								

**Cast (Int. Dim.) - Interior Dimensions**



Submittal Drawing  
 1/26/2026 2:26:04 PM

SUBMITTAL  
 APPROVED BY: