

Job Name: 25-2612 - Concord Elementary School Addition
Job Location: Paducah
Contractor: Ainsworth Land Development, LLC

PC: E. Bradley
 TECH: J. Horsley
 Plant: Beaver Dam



Structure ID: **ST-12**

Spec: Storm
 Type: BX 8inW, 8inF
 Size: 24" x 24"

Rim: 399.4'
 Invert: 397.85'
 Rim to Invert: 1.55'

Sump: 0"
 Floor (Top): 397.85'
 Floor Height: 8"

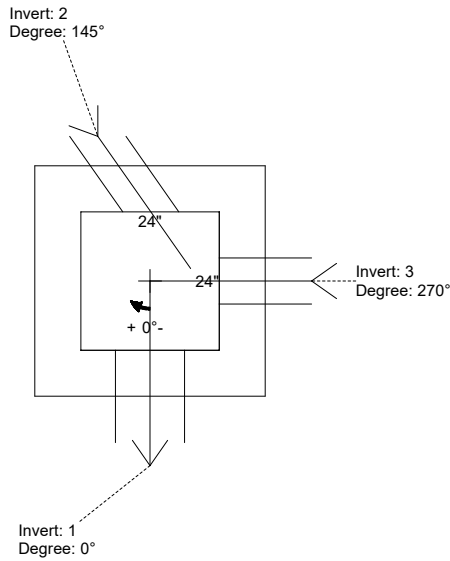
Floor (Bot): 397.183'
 Overall Height: 2.167'
 Slack: 0.6"

Structure Notes:

1. PER ASTM C-913 SPECIFICATIONS
2. CONCRETE: 4,000 PSI AT 28 DAYS
3. REINFORCEMENT: #5 BAR @ 12" C.C. E.W. (GRADE 60)
4. NO STORM INVERT
5. NO STEPS
6. HOE 342 FRAME & GRATE SUPPLIED BY ICAST

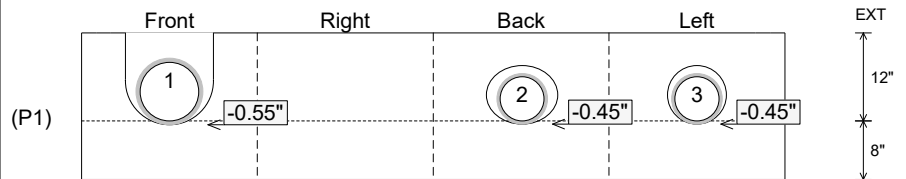
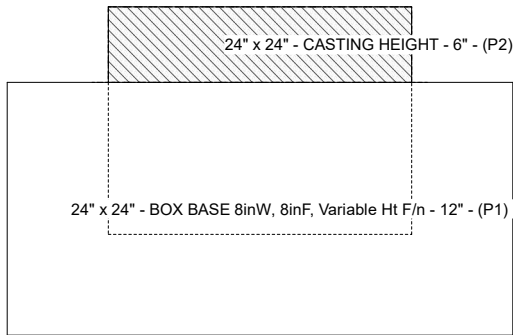
STRUCTURE SUMMARY:

- P2) 24" x 24" - CASTING HEIGHT - 6" 0 lb
 P1) 24" x 24" - BOX BASE 8inW, 8inF, Variable Ht F/n - 12" 1940 lb
 1) CASTING - HOE 342 F/G 250 lb
 1) 24" x 24" - Conseal CS-102 1.00" 0 lb
 1) DOGHOUSE INVRTD - 12"x12" 0 lb
 2) Hole - 8 0 lb
 Structure Total: 2190 lb



Position	Elev	Angle	Pipe	Pipe OD	Hole	Connector	Up (L)	Ref
Rim	399.4'							
Reducer								
Invert 1	397.85'	0°	8" HDPE	9.1"	12" x 12"	DOGHOUSE INVRTD 12"x12"	-0.55"	P1
Invert 2	397.85'	145°	6" HDPE	6.9"	8"	Hole 8	-0.45"	P1
Invert 3	397.85'	270°	6" HDPE (perf pipe)	6.9"	8"	Hole 8	-0.45"	P1
Invert 4								
Invert 5								
Invert 6								
Invert 7								
Invert 8								

Cast (Int. Dim.) - Interior Dimensions



Submittal Drawing
 1/26/2026 2:26:03 PM

SUBMITTAL
 APPROVED BY: