

Job Name: 25-2601 Spring Creek Parkway Phase 2 (Storm)
 Job Location: Clarksville, TN
 Contractor: Byard Construction, LLC

Plant: Beaver Dam
 2/23/2026 8:53:35 AM

Tech: S. Felletter
 PC: A. Chambers



Structure ID: CB-48

P1 MH072BAVF

MH BASE Custom Ht F/n

- P3) 28" x 34" - CASTING HEIGHT - 7" 0 lb
- P2) 72" - MH FLAT TOP - TDOT NO 12 (28"x34" Hole) F/F - 10" 4406 lb
- P1) 72" - MH BASE Custom Ht F/n - 53" 9364 lb
- 1) 72" - Conseal CS-102 1.00" 0 lb
- 1) 28" x 34" - Conseal CS-102 1.00" 0 lb
- 1) Hole - 40 0 lb
- 2) Hole - 39 0 lb
- 1) Hole - 6 0 lb

Structure Total: 13770 lb

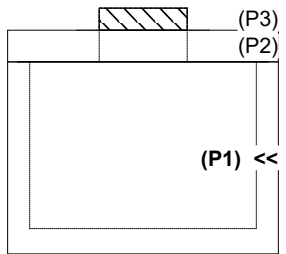
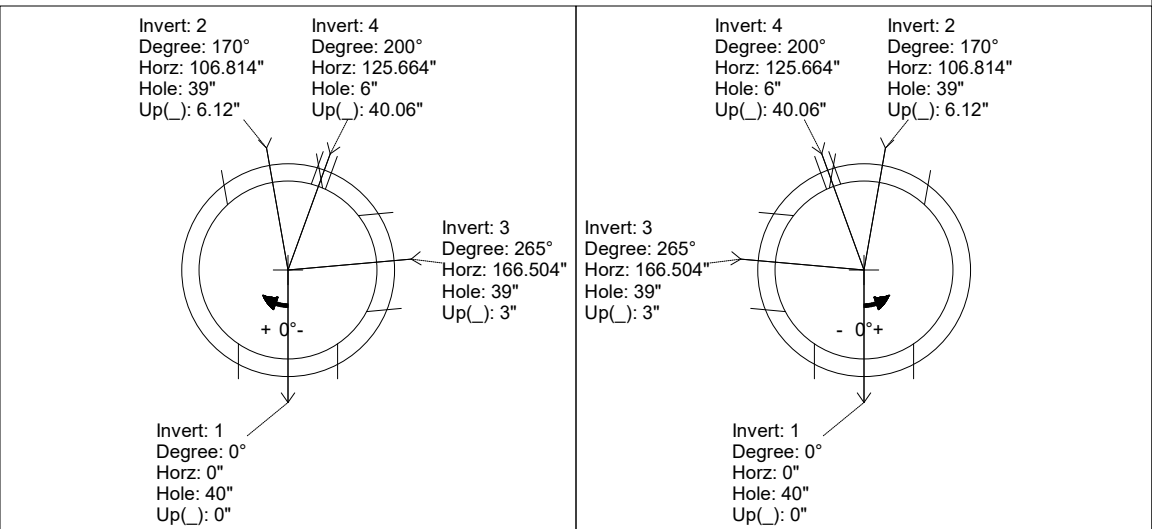
Structure Notes:
 1. PER TDOT D-CB-12RB / ASTM C478 SPEC'S.
 2. CONCRETE = 4,000 PSI AT 28 DAYS.
 3. NO INVERT CHANNEL.
 4. CASTING BY OTHERS (TDOT TY. 12 - JBS 3123 MOD F/G/H).
 REINFORCING PER ASTM A615 (GRADE 60).
 ** PER TDOT STD DRAWING D-CB-12RB **
 - TOP SLAB - DBL MAT #5 BARS.
 - RISER (As .18)
 - FLOOR (As .62) #5 BARS AT 6" C.C.E.W.

Rim: 506.33' Rim to Invert: 5.58' Slack: 0.46" Sump: 3.5" Step Position:

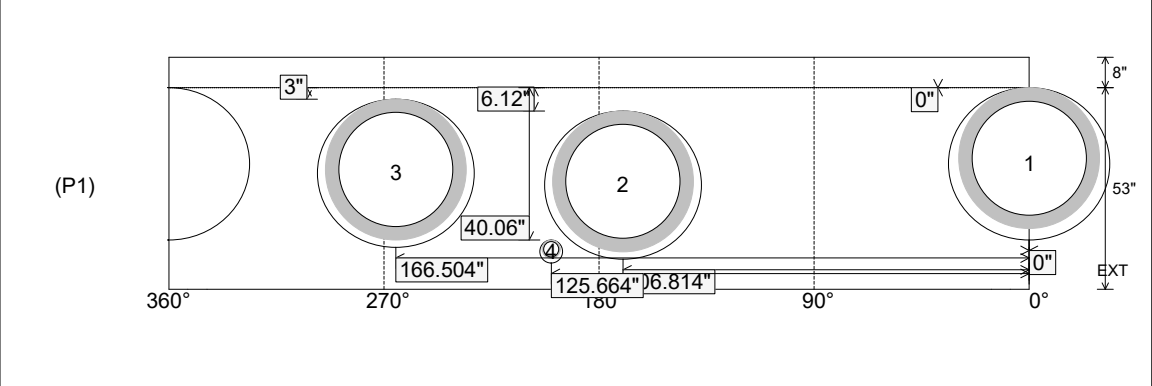
Position	Elev	Angle	Ext. (cw)	Pipe	Pipe OD	Connector	Hole	Horz Size	Up (↓)	Offset
Invert 1	500.75'	0°	0"	30" RCP B WALL	37"	Hole 40	40"	42.41"	0"	0"
Invert 2	501.26'	170°	127.584"	30" RCP B WALL	37"	Hole 39	39"	41.214"	6.12"	0"
Invert 3	501'	265°	198.88"	30" RCP B WALL	37"	Hole 39	39"	41.214"	3"	0"
Invert 4	503.83'	200°	150.098"	4" HDPE (perf pipe)	4.8"	Hole 6	6"	6.007"	40.06"	0"
Invert 5										
Invert 6										
Invert 7										
Invert 8										

RIGHT-SIDE UP VIEW (int. dimensions)

UPSIDE-DOWN VIEW (int. dimensions)



INSIDE WALL DIMENSIONS



Coating (Int): Coating (Ext):	Seam Up: Flat Seam Dn: n/a	Wall Thickness: 7" Floor Height: 8"	Height (Int): 53" Height (Ext): 61"	Weight (Net): 9364 lb Volume (Net): 2.39cu.yd
----------------------------------	-------------------------------	--	--	--