

Job Name: 25-2601 Spring Creek Parkway Phase 2 (Storm)

Job Location: Clarksville, TN

Contractor: Byard Construction, LLC

PC: A. Chambers

TECH: S. Felletter

Plant: Beaver Dam



Structure ID: **CB-47**

Spec: TDOT

Type: CB TYPE 12RB

Size: 60"

Rim: 509.63'

Invert: 504.16'

Rim to Invert: 5.47'

Sump: 3.5"

Floor (Top): 503.868'

Floor Height: 8"

Floor (Bot): 503.202'

Overall Height: 6.417'

Slack: 0.14"

Structure Notes:

1. PER TDOT D-CB-12RB / ASTM C478 SPEC'S.
2. CONCRETE = 4,000 PSI AT 28 DAYS.
3. NO INVERT CHANNEL.
4. CASTING BY OTHERS (TNDOT TY. 12 - JBS 3123 MOD F/G/H).

REINFORCING PER ASTM A615 (GRADE 60).

** PER TDOT STD DRAWING D-CB-12RB **

- TOP SLAB - DBL MAT #5 BARS.

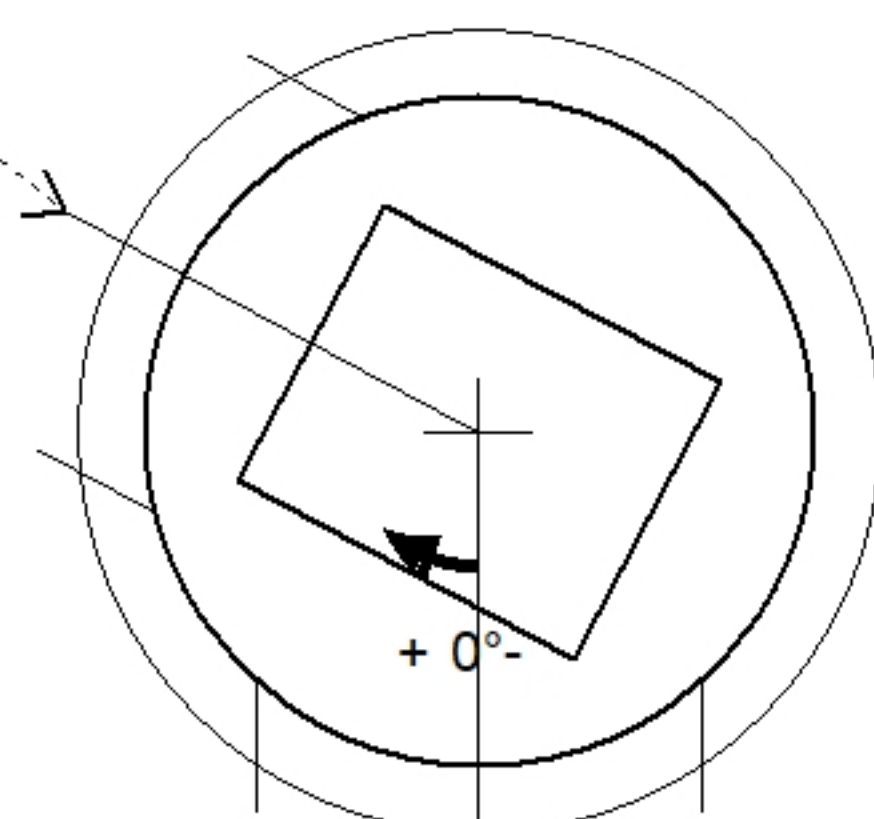
- RISER (As .18)

- FLOOR (As .62) #5 BARS AT 6" C.C.E.W.

STRUCTURE SUMMARY:

P3) 28" x 34" - CASTING HEIGHT - 7"	0 lb
P2) 60" - MH FLAT TOP - TDOT NO 12 (28"x34" Hole) F/F - 10"	3417 lb
P1) 60" - MH BASE Custom Ht F/n - 52"	6798 lb
1) 60" - Conseal CS-102 1.00"	0 lb
1) 28" x 34" - Conseal CS-102 1.00"	0 lb
2) Hole - 40	0 lb
Structure Total:	10215 lb

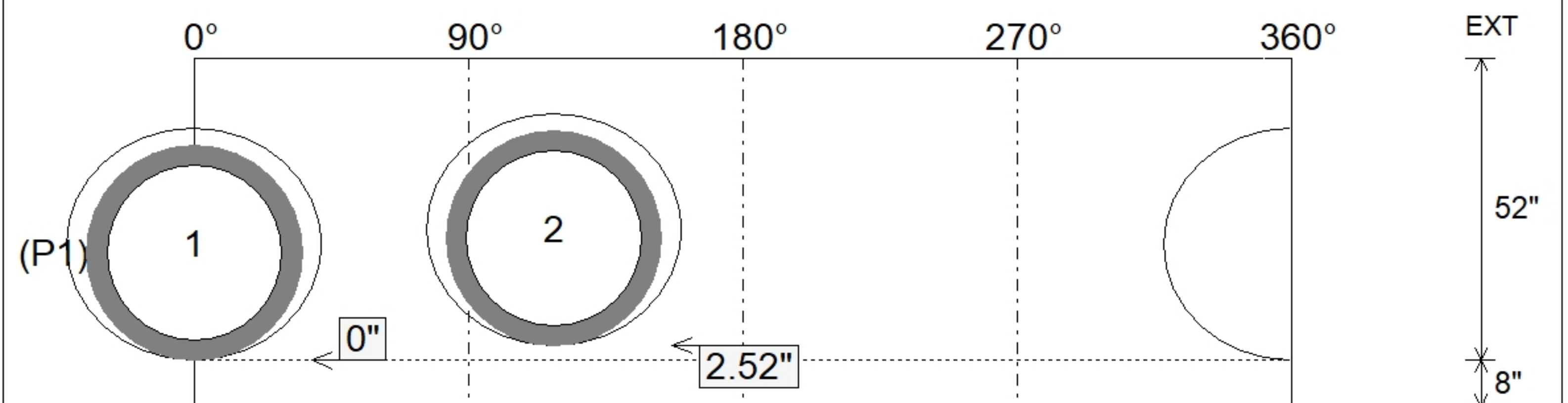
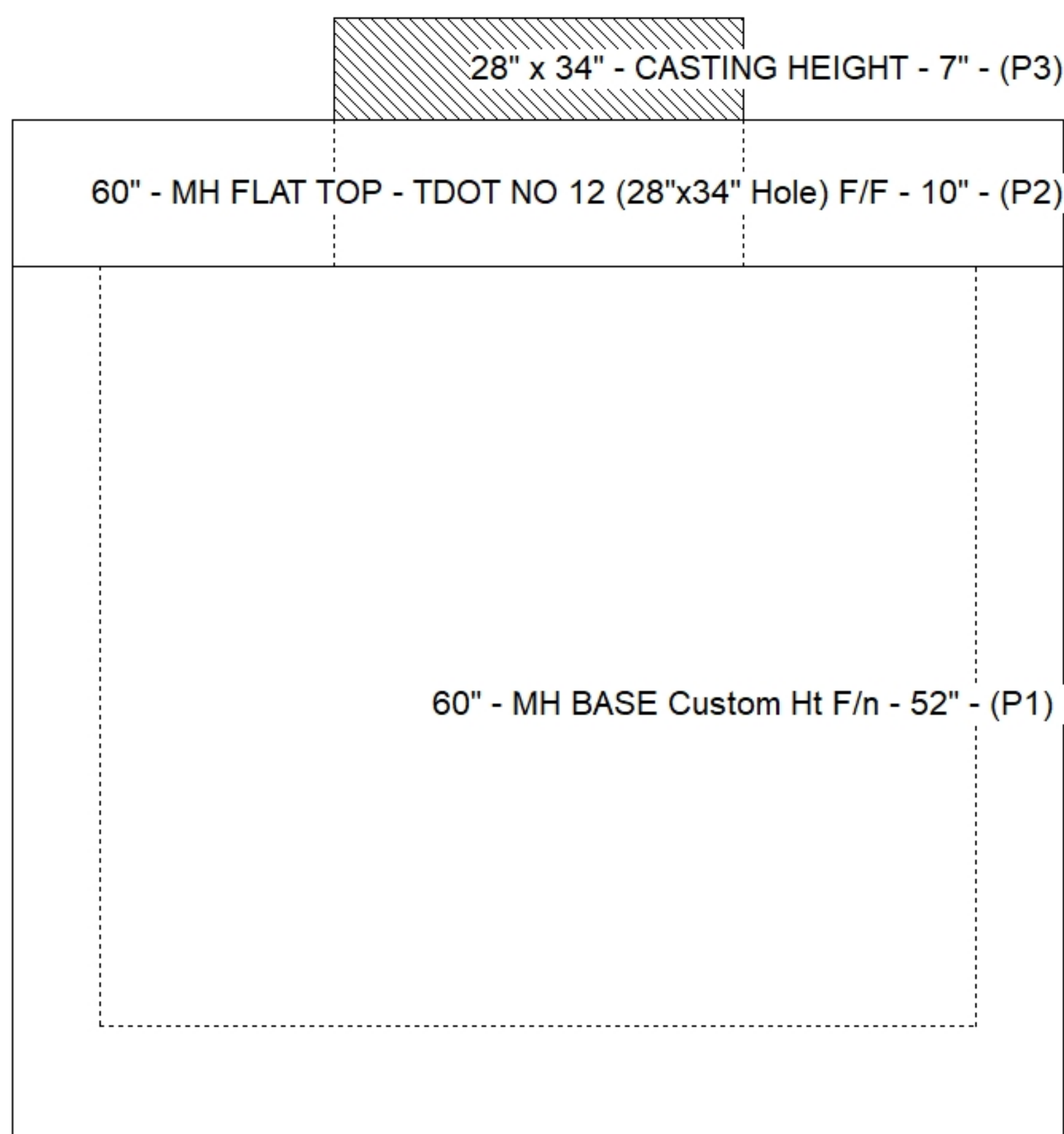
Invert: 2
Degree: 118°



Invert: 1
Degree: 0°

Position	Elev	Angle	Pipe	Pipe OD	Hole	Connector	Up (")	Ref
Rim	509.63'							
Reducer								
Invert 1	504.16'	0°	30" RCP B WALL	37"	40"	Hole 40	0"	P1
Invert 2	504.37'	118°	30" RCP B WALL	37"	40"	Hole 40	2.52"	P1
Invert 3								
Invert 4								
Invert 5								
Invert 6								
Invert 7								
Invert 8								

Default - Interior Dimensions



Submittal Drawing
2/26/2026 8:25:16 AM

SUBMITTAL
APPROVED BY: