

Job Name: 25-2601 Spring Creek Parkway Phase 2 (Storm)
Job Location: Clarksville, TN
Contractor: Byard Construction, LLC

PC: A. Chambers
 TECH: S. Felletter
 Plant: Beaver Dam



Structure ID: **CB-45**

Spec: TDOT
 Type: CB TYPE 12RC
 Size: 96"

Rim: 499.64'
 Invert: 481.37'
 Rim to Invert: 18.27'

Sump: 2"
 Floor (Top): 481.203'
 Floor Height: 8"

Floor (Bot): 480.537'
 Overall Height: 19.083'
 Slack: 0.24"

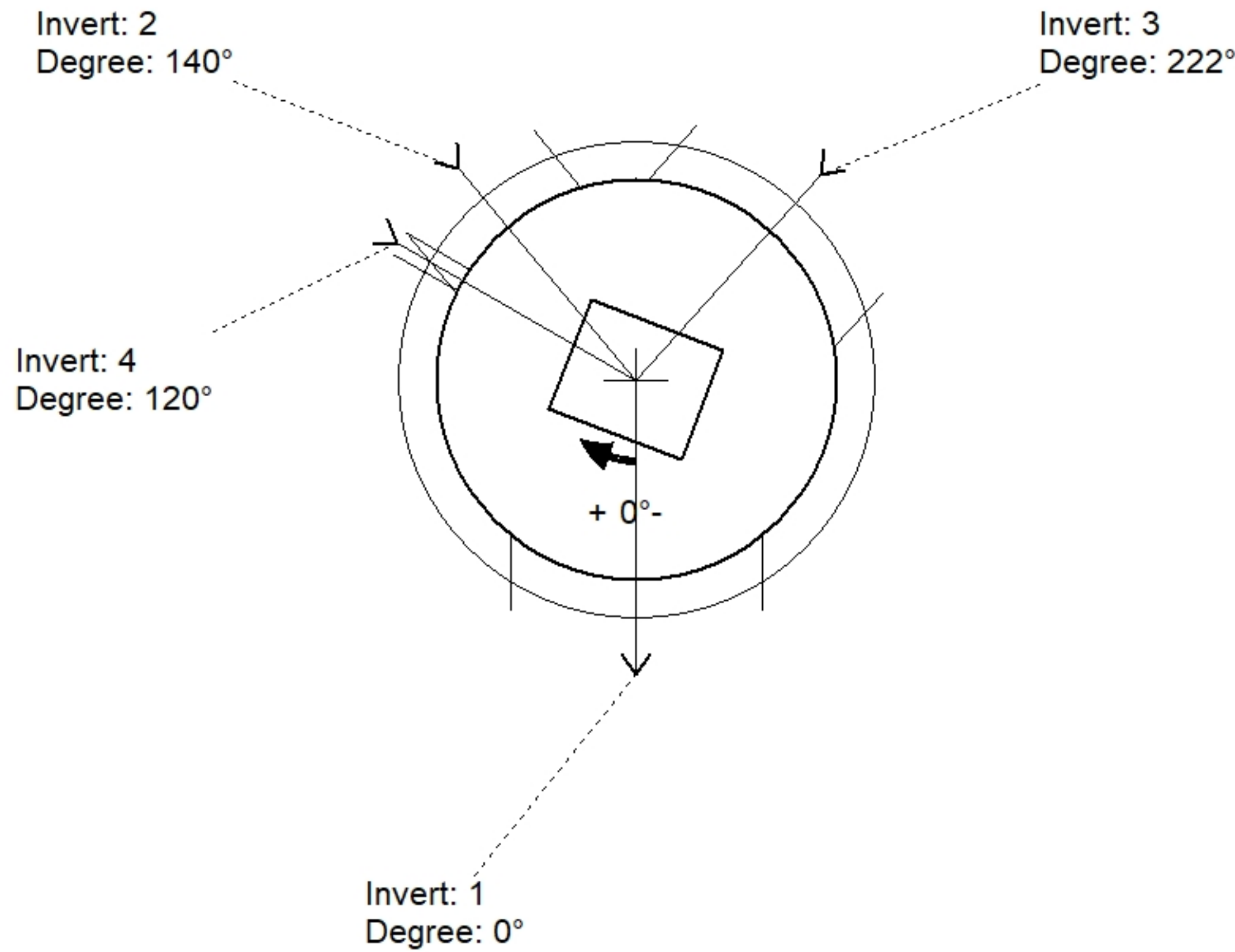
Structure Notes:

- PER TDOT D-CB-12RC / ASTM C478 SPEC'S.
- CONCRETE = 4,000 PSI AT 28 DAYS.
- NO INVERT CHANNEL.
- CASTING BY OTHERS (TNDOT TY. 12 - JBS 3123 MOD F/G/H).

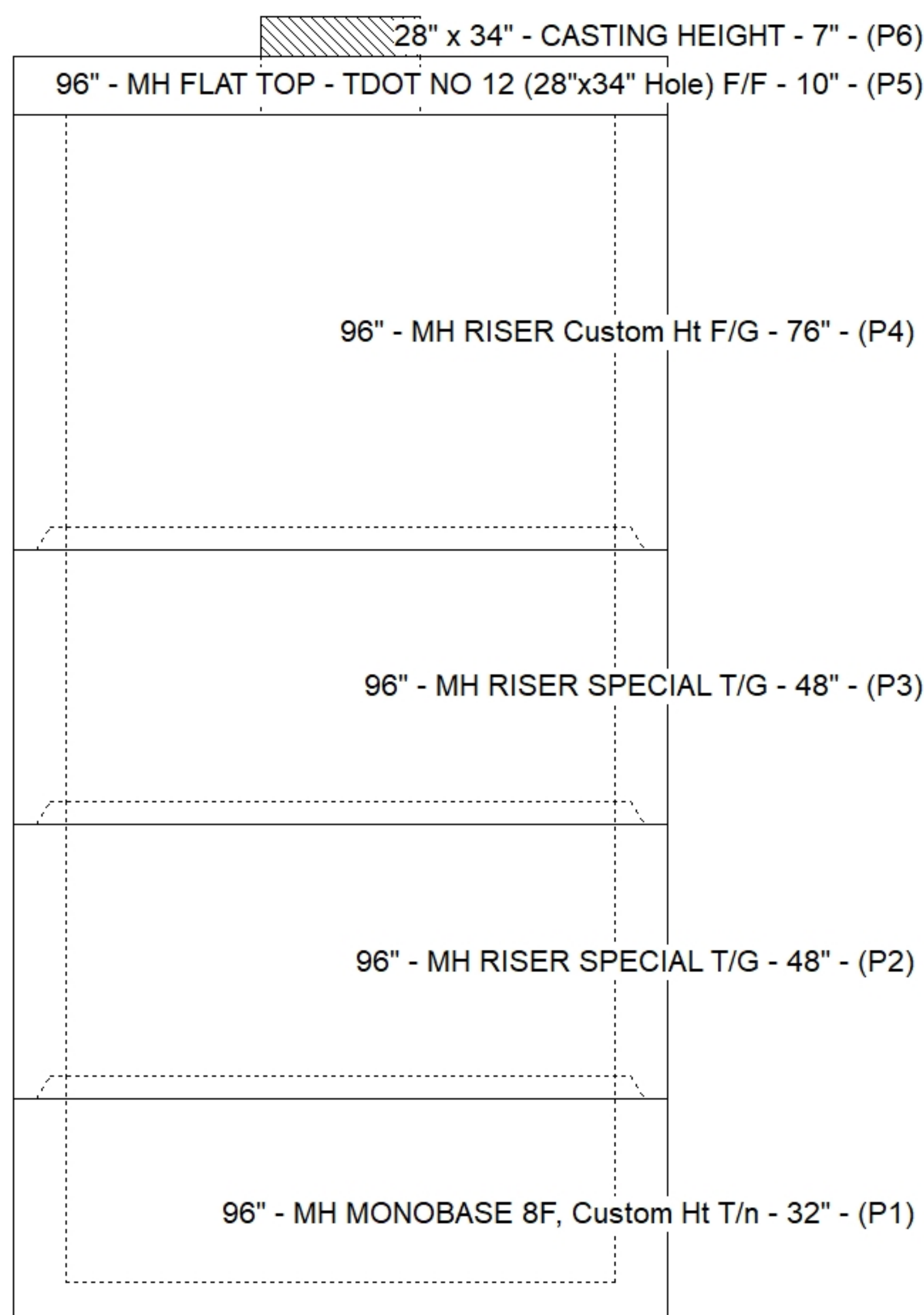
REINFORCING PER ASTM A615 (GRADE 60).
 ** PER TDOT STD DRAWING D-CB-12RC **
 - TOP SLAB - DBL MAT #5 BARS.
 - RISER (As .18)
 - FLOOR (As .62) #5 BARS AT 6" C.C.E.W.

STRUCTURE SUMMARY:

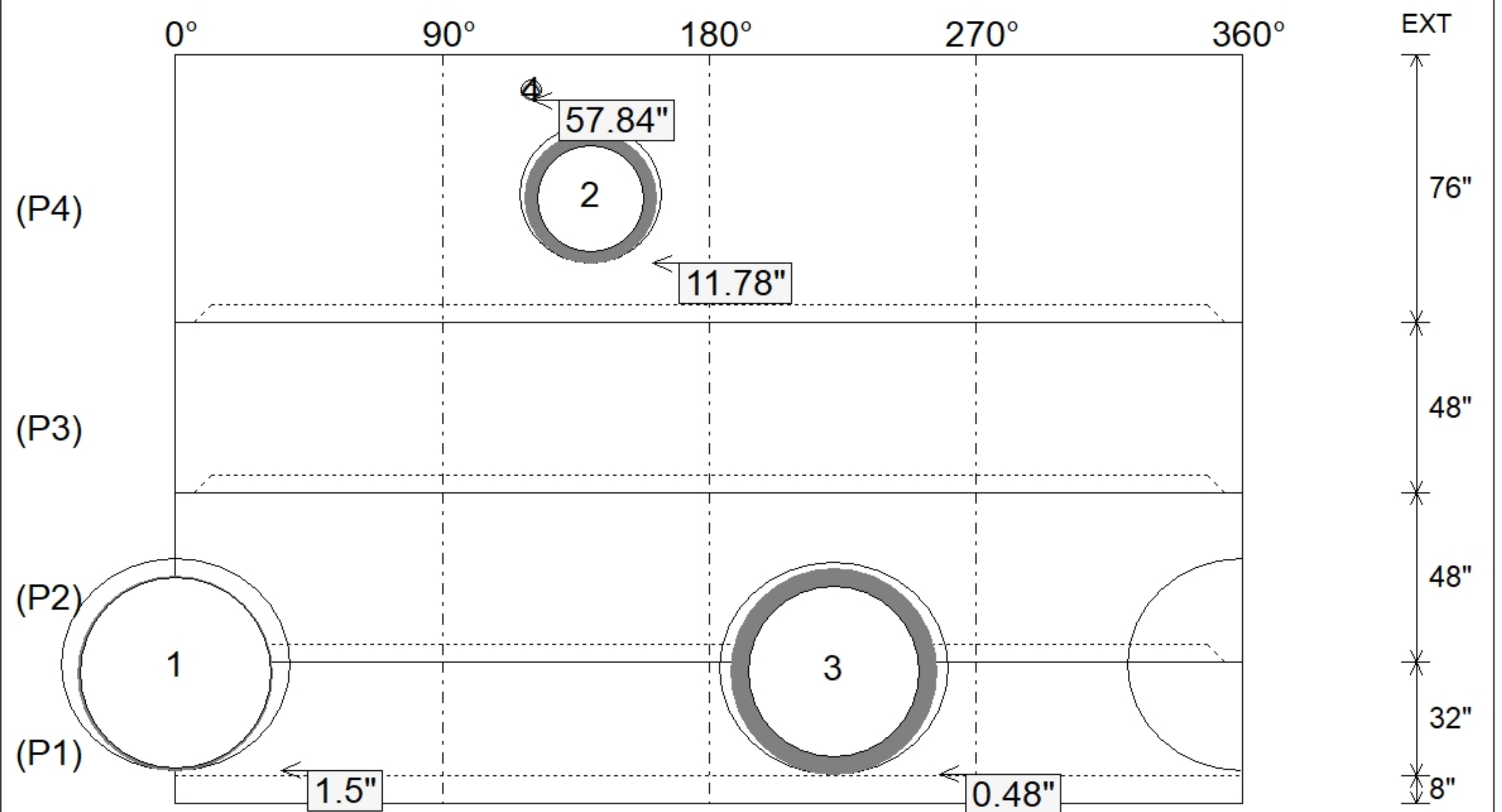
P6) 28" x 34" - CASTING HEIGHT - 7"	0 lb
P5) 96" - MH FLAT TOP - TDOT NO 12 (28"x34" Hole) F/F - 10"	7767 lb
P4) 96" - MH RISER Custom Ht F/G - 76"	17987 lb
P3) 96" - MH RISER SPECIAL T/G - 48"	11958 lb
P2) 96" - MH RISER SPECIAL T/G - 48"	9778 lb
P1) 96" - MH MONOBASE 8F, Custom Ht T/n - 32"	12448 lb
4) 96" - Conseal CS-102 1.00"	0 lb
1) 28" x 34" - Conseal CS-102 1.00"	0 lb
2) Hole - 60	0 lb
1) Hole - 39	0 lb
1) Hole - 6	0 lb
Structure Total:	59938 lb



Position	Elev	Angle	Pipe	Pipe OD	Hole	Connector	Up ()	Ref
Rim	499.64'							
Reducer								
Invert 1	481.37'	0°	54" CMP	55"	60"	Hole 60	1.5"	P1
Invert 2	493.56'	140°	30" RCP B WALL	37"	39"	Hole 39	11.78"	P4
Invert 3	481.66'	222°	48" RCP B WALL	58"	60"	Hole 60	0.48"	P1
Invert 4	497.14'	120°	4" HDPE (perf pipe)	4.8"	6"	Hole 6	57.84"	P4
Invert 5								
Invert 6								
Invert 7								
Invert 8								



Default - Interior Dimensions



Submittal Drawing
 2/26/2026 8:25:15 AM

SUBMITTAL
 APPROVED BY: