

Job Name: 25-2601 Spring Creek Parkway Phase 2 (Storm)
 Job Location: Clarksville, TN
 Contractor: Byard Construction, LLC

Plant: Beaver Dam
 2/24/2026 10:39:27 AM

Tech: S. Felletter
 PC: A. Chambers



Structure ID: CB-45

P4 MH096RSVF

MH RISER Custom Ht F/G

- P6) 28" x 34" - CASTING HEIGHT - 7" 0 lb
- P5) 96" - MH FLAT TOP - TDOT NO 12 (28"x34" Hole) F/F - 10" 7767 lb
- P4) 96" - MH RISER Custom Ht F/G - 76" 17987 lb
- P3) 96" - MH RISER SPECIAL T/G - 48" 11958 lb
- P2) 96" - MH RISER SPECIAL T/G - 48" 9778 lb
- P1) 96" - MH MONOBASE 8F, Custom Ht T/n - 32" 12448 lb
- 4) 96" - Conseal CS-102 1.00" 0 lb
- 1) 28" x 34" - Conseal CS-102 1.00" 0 lb
- 2) Hole - 60 0 lb
- 1) Hole - 39 0 lb
- 1) Hole - 6 0 lb

Structure Total: 59938 lb

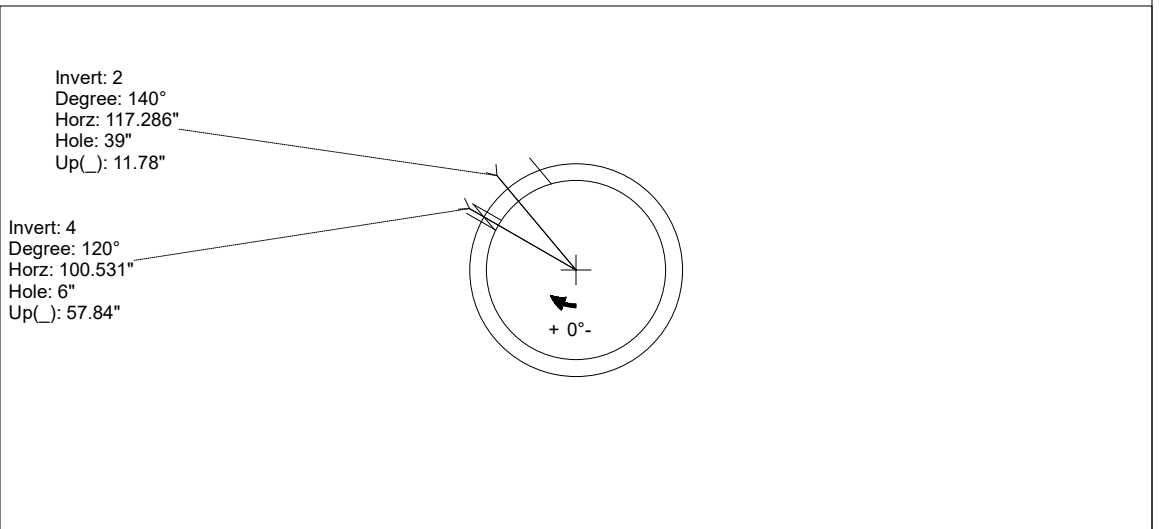
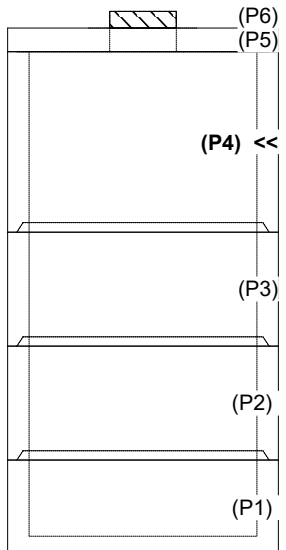
Structure Notes:
 1. PER TDOT D-CB-12RC / ASTM C478 SPEC'S.
 2. CONCRETE = 4,000 PSI AT 28 DAYS.
 3. NO INVERT CHANNEL.
 4. CASTING BY OTHERS (TDOT TY. 12 - JBS 3123 MOD F/G/H).

REINFORCING PER ASTM A615 (GRADE 60).
 ** PER TDOT STD DRAWING D-CB-12RC **
 - TOP SLAB - DBL MAT #5 BARS.
 - RISER (As .18)
 - FLOOR (As .62) #5 BARS AT 6" C.C.E.W.

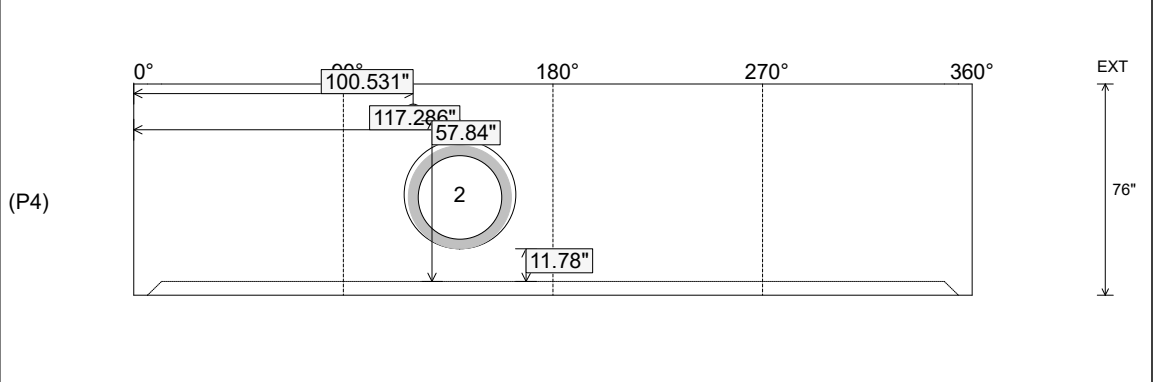
Rim: 499.64' Rim to Invert: 18.27' Slack: 0.24" Sump: 2" Step Position:

Position	Elev	Angle	Ext. (cw)	Pipe	Pipe OD	Connector	Hole	Horz Size	Up ()	Offset
Invert 1										
Invert 2	493.56'	140°	139.277"	30" RCP B WALL	37"	Hole 39	39"	40.161"	11.78"	0"
Invert 3										
Invert 4	497.14'	120°	119.381"	4" HDPE (perf pipe)	4.8"	Hole 6	6"	6.004"	57.84"	0"
Invert 5										
Invert 6										
Invert 7										
Invert 8										

RIGHT-SIDE UP VIEW (int. dimensions)



INSIDE WALL DIMENSIONS



Coating (Int): Coating (Ext):	Seam Up: Flat Seam Dn: Groove	Wall Thickness: 9" Floor Height: 0"	Height (Int): 76" Height (Ext): 76"	Weight (Net): 17987 lb Volume (Net): 4.59cu.yd
----------------------------------	----------------------------------	--	--	---