

**Job Name: 25-2601 Spring Creek Parkway Phase 2 (Storm)**  
**Job Location: Clarksville, TN**  
**Contractor: Byard Construction, LLC**

PC: A. Chambers  
 TECH: S. Felletter  
 Plant: Beaver Dam



Structure ID: **CB-43**  
 Spec: TDOT  
 Type: CB TYPE 12RB  
 Size: 72"

Rim: 506.85'  
 Invert: 501.53'  
 Rim to Invert: 5.32'

Sump: 3.5"  
 Floor (Top): 501.238'  
 Floor Height: 8"

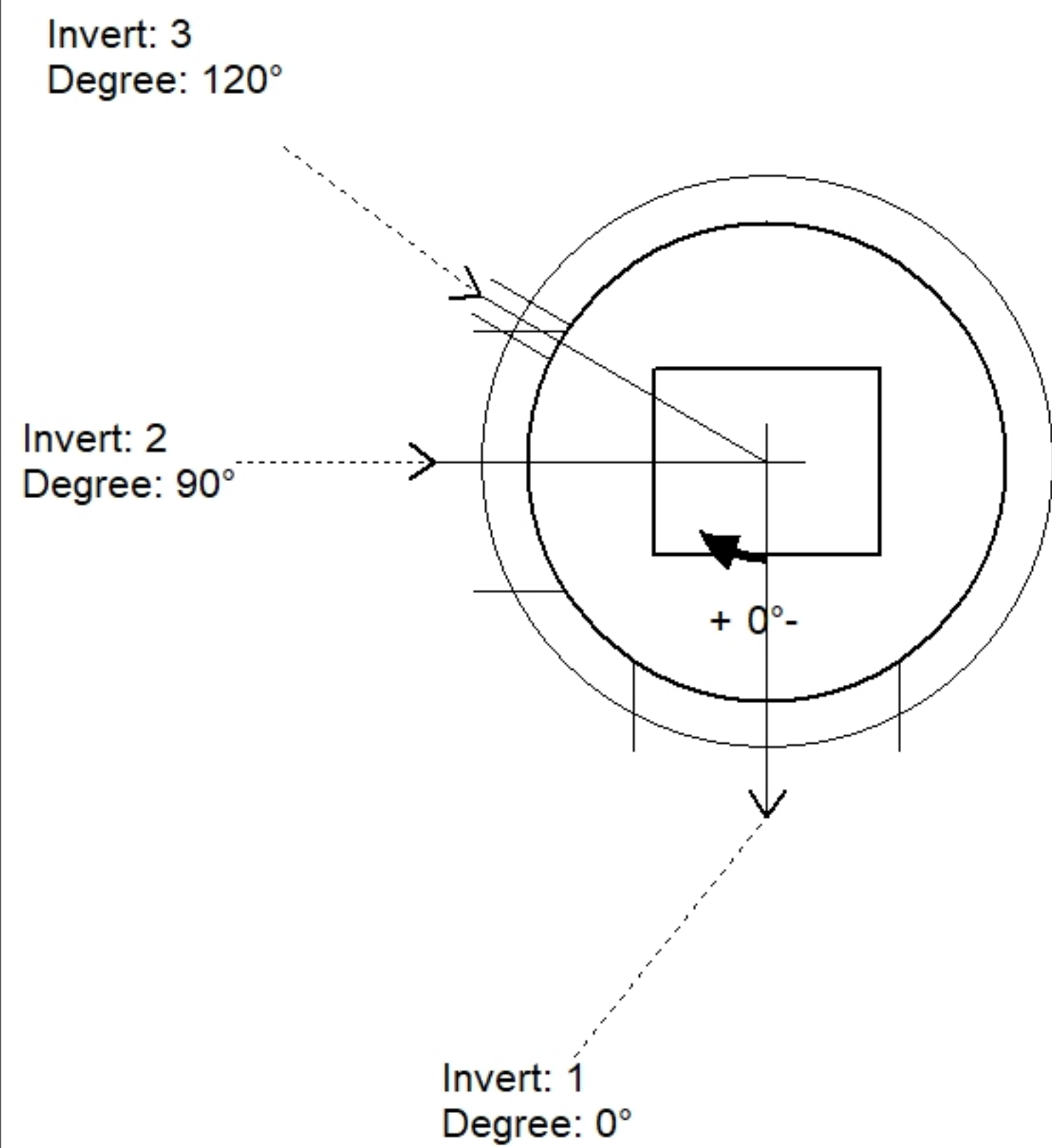
Floor (Bot): 500.572'  
 Overall Height: 6.25'  
 Slack: 0.34"

**Structure Notes:**  
 1. PER TDOT D-CB-12RB / ASTM C478 SPEC'S.  
 2. CONCRETE = 4,000 PSI AT 28 DAYS.  
 3. NO INVERT CHANNEL.  
 4. CASTING BY OTHERS (TNDOT TY. 12 - JBS 3123 MOD F/G/H).

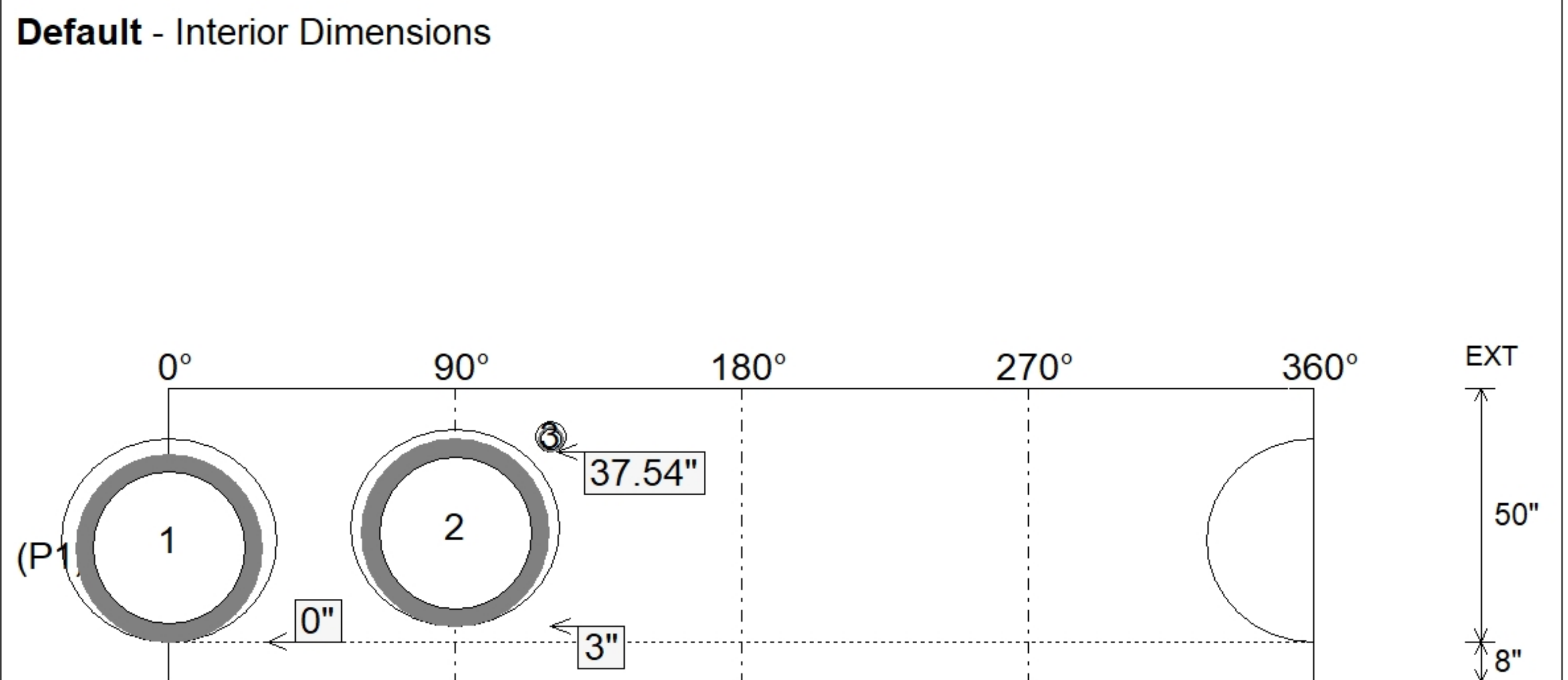
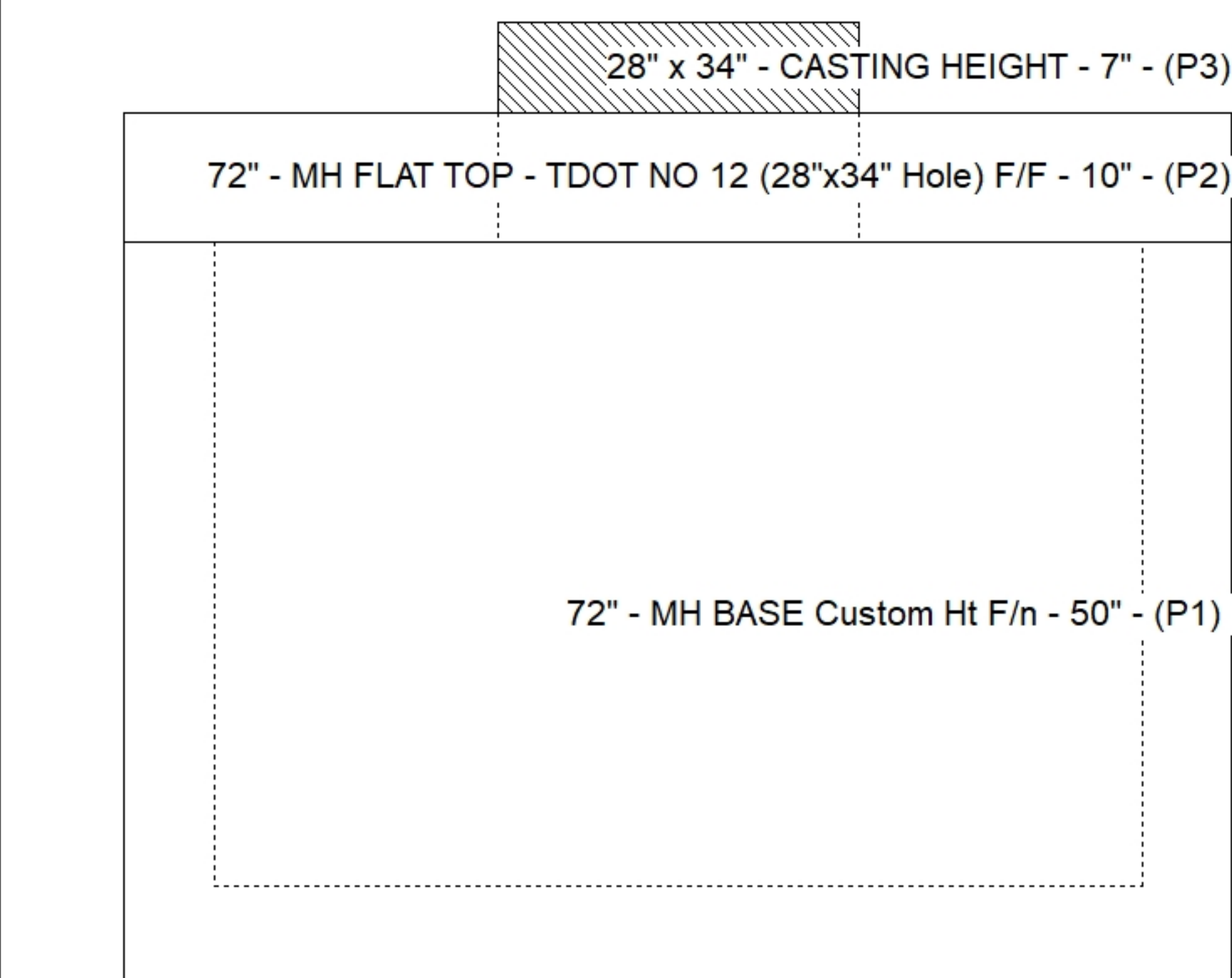
REINFORCING PER ASTM A615 (GRADE 60).  
 \*\* PER TDOT STD DRAWING D-CB-12RB \*\*  
 - TOP SLAB - DBL MAT #5 BARS.  
 - RISER (As .18)  
 - FLOOR (As .62) #5 BARS AT 6" C.C.E.W.

**STRUCTURE SUMMARY:**

P3) 28" x 34" - CASTING HEIGHT - 7"	0 lb
P2) 72" - MH FLAT TOP - TDOT NO 12 (28"x34" Hole) F/F - 10"	4406 lb
P1) 72" - MH BASE Custom Ht F/n - 50"	9662 lb
1) 72" - Conseal CS-102 1.00"	0 lb
1) 28" x 34" - Conseal CS-102 1.00"	0 lb
1) Hole - 40	0 lb
1) Hole - 39	0 lb
1) Hole - 6	0 lb
<b>Structure Total:</b>	<b>14068 lb</b>



Position	Elev	Angle	Pipe	Pipe OD	Hole	Connector	Up ( )	Ref
Rim	506.85'							
Reducer								
Invert 1	501.53'	0°	30" RCP B WALL	37"	40"	Hole 40	0"	P1
Invert 2	501.78'	90°	30" RCP B WALL	37"	39"	Hole 39	3"	P1
Invert 3	504.4'	120°	4" HDPE (perf pipe)	4.8"	6"	Hole 6	37.54"	P1
Invert 4								
Invert 5								
Invert 6								
Invert 7								
Invert 8								



Submittal Drawing  
 2/26/2026 8:25:12 AM

SUBMITTAL  
 APPROVED BY: