

Job Name: 25-2592 - Meadows-Northland Ph 7
Job Location: Lexington, KY
Contractor: Delmae LLC

PC: T. Lewis
 TECH: J. Horsley - F
 Plant: 100



Structure ID: **S7**
 Spec: Storm
 Type: STM.MH (Recessed pipe)
 Size: 48"

Rim: 971.44'
 Invert: 966.56'
 Rim to Invert: 4.88'

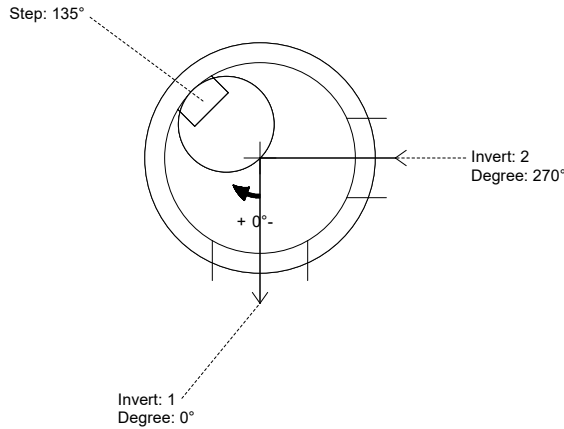
Sump: 0"
 Floor (Top): 966.56'
 Floor Height: 6"

Floor (Bot): 966.06'
 Overall Height: 5.333'
 Slack: 0.56"

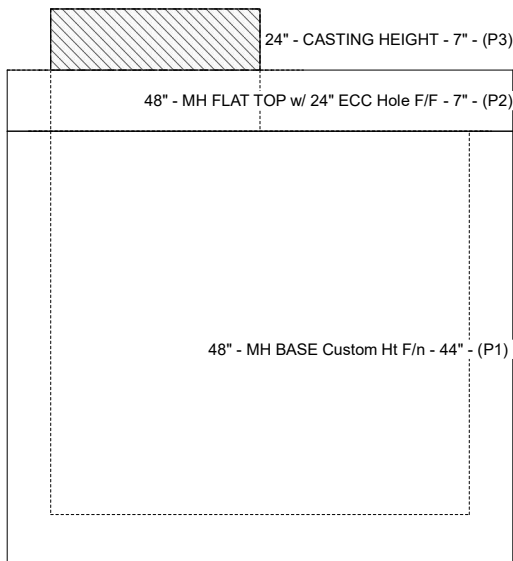
- Structure Notes:**
- PER ASTM C-478 SPECIFICATIONS
 - CONCRETE: 4,000 PSI AT 28 DAYS
 - REINFORCEMENT:
 - FLAT LID: #4 BAR @ 10" C.C. E.W. (GRADE 60)
 - BASE: PER ASTM A615
 - NO STORM INVERT
 - STEPS AT 135 DEGREES
 - HOE MC-350 FRAME & COVER "STORM" SUPPLIED BY OTHERS

STRUCTURE SUMMARY:

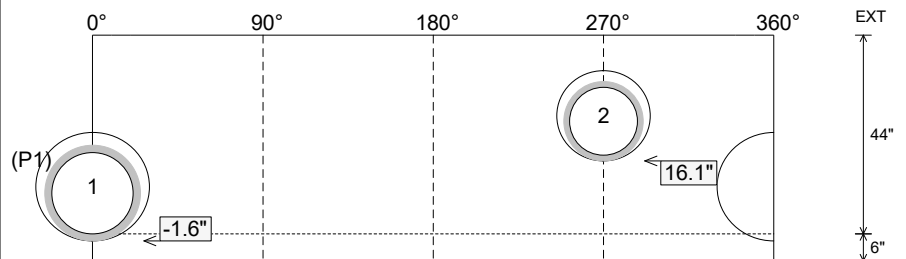
P3) 24" - CASTING HEIGHT - 7"	0 lb
P2) 48" - MH FLAT TOP w/ 24" ECC Hole F/F - 7"	1286 lb
P1) 48" - MH BASE Custom Ht F/n - 44"	4072 lb
1) 48" - Conseal CS-102 1.00"	0 lb
1) Hole - 24	0 lb
1) Hole - 20	0 lb
4) MH Step ML-10-TDS-NCR - 10"	0 lb
Structure Total:	5358 lb



Position	Elev	Angle	Pipe	Pipe OD	Hole	Connector	Up (")	Ref
Rim	971.44'							
Reducer								
Invert 1	966.56'	0°	18" HDPE	21.2"	24"	Hole 24	-1.6"	P1
Invert 2	968.01'	270°	15" HDPE	17.6"	20"	Hole 20	16.1"	P1
Invert 3								
Invert 4								
Invert 5								
Invert 6								
Invert 7								
Invert 8								



Cast (Int. Dim.) - Interior Dimensions



Submittal Drawing
 2/5/2026 1:28:34 PM

SUBMITTAL
 APPROVED BY: