

Job Name: 25-2592 - Meadows-Northland Ph 7
Job Location: Lexington, KY
Contractor: Delmae LLC

PC: T. Lewis
 TECH: J. Horsley - F
 Plant: 100



Structure ID: **S6**
 Spec: Storm
 Type: STM.MH (Recessed pipe)
 Size: 48"

Rim: 973.99'
 Invert: 965.52'
 Rim to Invert: 8.47'

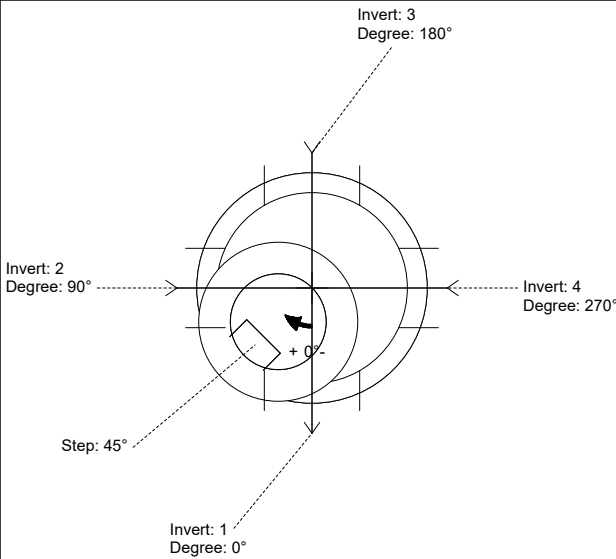
Sump: 0"
 Floor (Top): 965.52'
 Floor Height: 6"

Floor (Bot): 965.02'
 Overall Height: 8.917'
 Slack: 0.64"

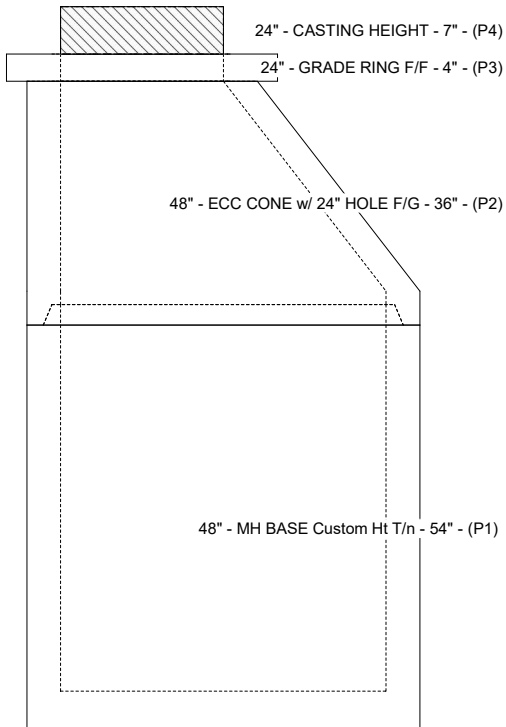
- Structure Notes:**
1. PER ASTM C-478 SPECIFICATIONS
 2. CONCRETE: 4,000 PSI AT 28 DAYS
 3. REINFORCEMENT: PER ASTM A615
 4. NO STORM INVERT
 5. STEPS AT 45 DEGREES
 6. HOE MC-350 FRAME & COVER "STORM" SUPPLIED BY OTHERS

STRUCTURE SUMMARY:

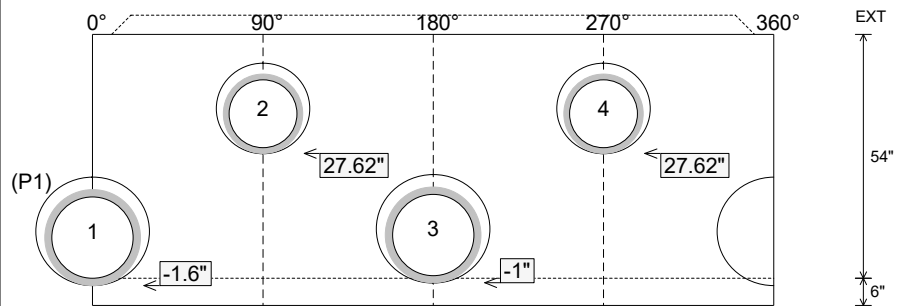
- P4) 24" - CASTING HEIGHT - 7" 0 lb
 - P3) 24" - GRADE RING F/F - 4" 270 lb
 - P2) 48" - ECC CONE w/ 24" HOLE F/G - 36" 3000 lb
 - P1) 48" - MH BASE Custom Ht T/n - 54" 4438 lb
 - 1) 48" - Conseal CS-102 1.00" 0 lb
 - 2) Hole - 24 0 lb
 - 2) Hole - 20 0 lb
 - 8) MH Step ML-10-TDS-NCR - 10" 0 lb
- Structure Total: 7708 lb**



Position	Elev	Angle	Pipe	Pipe OD	Hole	Connector	Up (L)	Ref
Rim	973.99'							
Reducer								
Invert 1	965.52'	0°	18" HDPE	21.2"	24"	Hole 24	-1.6"	P1
Invert 2	967.93'	90°	15" HDPE	17.6"	20"	Hole 20	27.62"	P1
Invert 3	965.57'	180°	18" HDPE	21.2"	24"	Hole 24	-1"	P1
Invert 4	967.93'	270°	15" HDPE	17.6"	20"	Hole 20	27.62"	P1
Invert 5								
Invert 6								
Invert 7								
Invert 8								



Cast (Int. Dim.) - Interior Dimensions



Submittal Drawing
 2/5/2026 1:28:33 PM

SUBMITTAL
 APPROVED BY: