

Job Name: 25-2592 - Meadows-Northland Ph 7
 Job Location: Lexington, KY
 Contractor: Delmae LLC

Plant: 100

2/5/2026 2:17:56 PM

Tech: J. Horsley - F

PC: T. Lewis



Structure ID: S6

P3 GR4

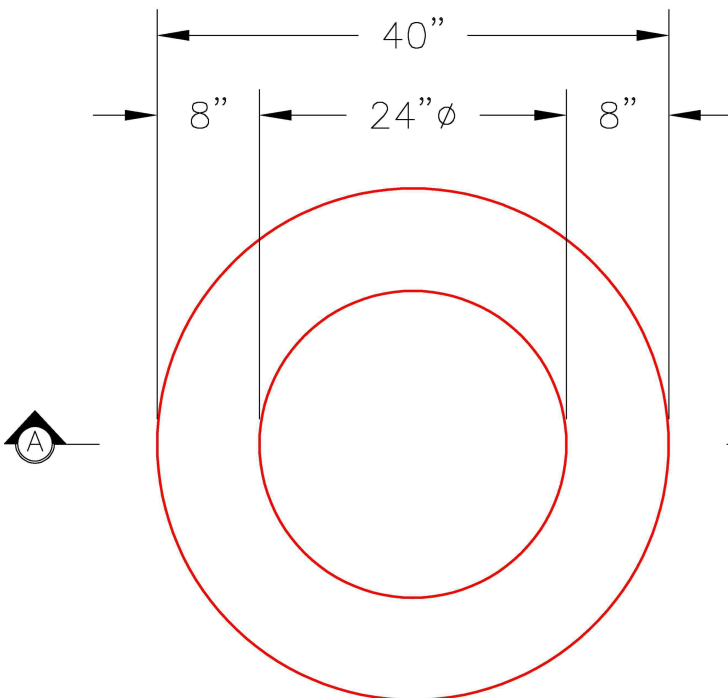
GRADE RING F/F

- P4) 24" - CASTING HEIGHT - 7"
- P3) 24" - GRADE RING F/F - 4"
- P2) 48" - ECC CONE w/ 24" HOLE F/G - 36"
- P1) 48" - MH BASE Custom Ht T/n - 54"
- 1) 48" - Conseal CS-102 1.00"
- 2) Hole - 24
- 2) Hole - 20
- 8) MH Step ML-10-TDS-NCR - 10"

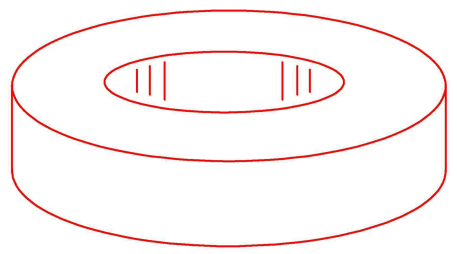
0 lb
 270 lb
 3000 lb
 4438 lb
 0 lb
 0 lb
 0 lb
 0 lb

 Structure Total: 7708 lb

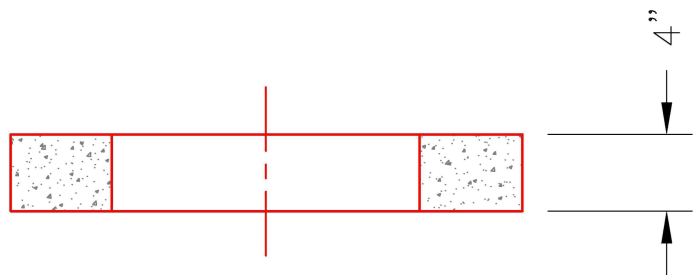
- Structure Notes:
1. PER ASTM C-478 SPECIFICATIONS
 2. CONCRETE: 4,000 PSI AT 28 DAYS
 3. REINFORCEMENT: (1) #3 HOOP CENTERED (GRADE 60)



PLAN VIEW



ISOMETRIC VIEW



SECTION A-A

Coating (Int):
 Coating (Ext):

Seam Up: Flat
 Seam Dn: Flat

Wall Thickness: 8"

Height (Ext): 4"

Weight (Net): 270 lb
 Volume (Net): 0.07cu.yd