

Job Name: 25-2592 - Meadows-Northland Ph 7  
 Job Location: Lexington, KY  
 Contractor: Delmae LLC

Plant: 100

2/5/2026 2:17:11 PM

Tech: J. Horsley - F

PC: T. Lewis



**Structure ID: S6**

**P1 MH048BA54**

**MH BASE Custom Ht T/n**

- P4) 24" - CASTING HEIGHT - 7"
- P3) 24" - GRADE RING F/F - 4"
- P2) 48" - ECC CONE w/ 24" HOLE F/G - 36"
- P1) 48" - MH BASE Custom Ht T/n - 54"
- 1) 48" - Conseal CS-102 1.00"
- 2) Hole - 24
- 2) Hole - 20
- 8) MH Step ML-10-TDS-NCR - 10"

0 lb  
 270 lb  
 3000 lb  
 4438 lb  
 0 lb  
 0 lb  
 0 lb  
 0 lb  
 -----  
 Structure Total: 7708 lb

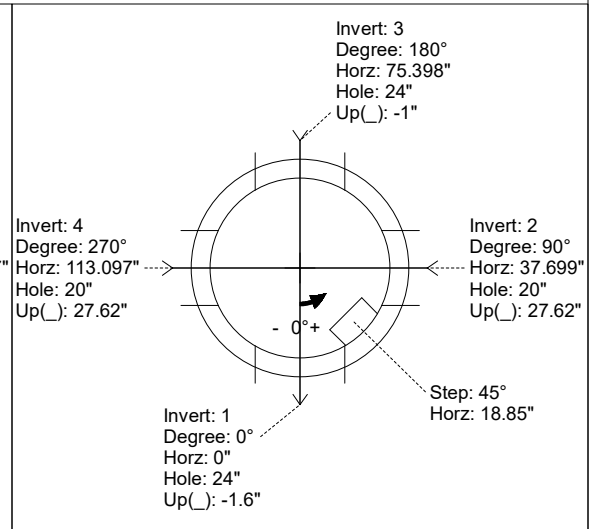
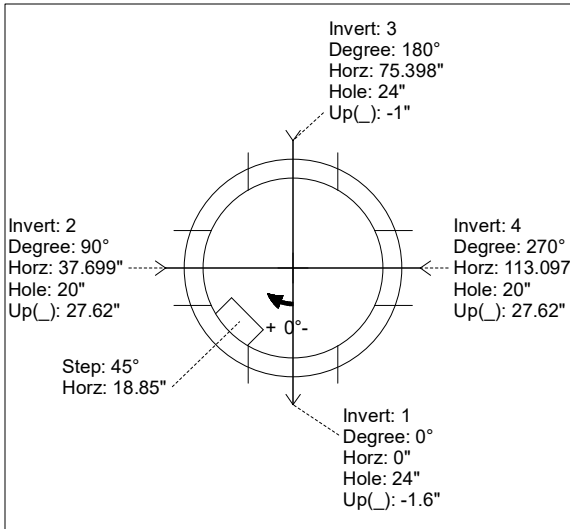
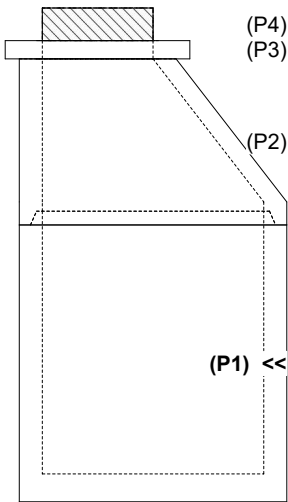
- Structure Notes:**
1. PER ASTM C-478 SPECIFICATIONS
  2. CONCRETE: 4,000 PSI AT 28 DAYS
  3. REINFORCEMENT: PER ASTM A615
  4. NO STORM INVERT
  5. STEPS AT 45 DEGREES
  6. HOE MC-350 FRAME & COVER "STORM" SUPPLIED BY OTHERS

Rim: 973.99' Rim to Invert: 8.47' Slack: 0.64" Sump: 0" Step Position: 45°

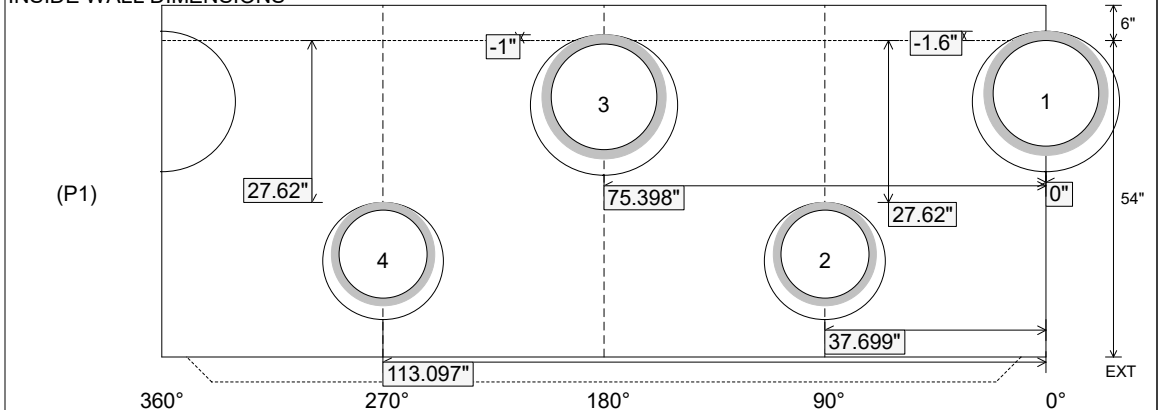
| Position | Elev    | Angle | Ext. (cw) | Pipe     | Pipe OD | Connector | Hole | Horz Size | Up ( ) | Offset |
|----------|---------|-------|-----------|----------|---------|-----------|------|-----------|--------|--------|
| Invert 1 | 965.52' | 0°    | 0"        | 18" HDPE | 21.2"   | Hole 24   | 24"  | 25.133"   | -1.6"  | 0"     |
| Invert 2 | 967.93' | 90°   | 45.553"   | 15" HDPE | 17.6"   | Hole 20   | 20"  | 20.629"   | 27.62" | 0"     |
| Invert 3 | 965.57' | 180°  | 91.106"   | 18" HDPE | 21.2"   | Hole 24   | 24"  | 25.133"   | -1"    | 0"     |
| Invert 4 | 967.93' | 270°  | 136.659"  | 15" HDPE | 17.6"   | Hole 20   | 20"  | 20.629"   | 27.62" | 0"     |
| Invert 5 |         |       |           |          |         |           |      |           |        |        |
| Invert 6 |         |       |           |          |         |           |      |           |        |        |
| Invert 7 |         |       |           |          |         |           |      |           |        |        |
| Invert 8 |         |       |           |          |         |           |      |           |        |        |

RIGHT-SIDE UP VIEW (int. dimensions)

UPSIDE-DOWN VIEW (int. dimensions)



INSIDE WALL DIMENSIONS



Coating (Int):  
 Coating (Ext):

Seam Up: Tongue  
 Seam Dn: n/a

Wall Thickness: 5"  
 Floor Height: 6"

Height (Int): 54"  
 Height (Ext): 60"

Weight (Net): 4438 lb  
 Volume (Net): 1.13cu.yd