

Job Name: 25-2592 - Meadows-Northland Ph 7
 Job Location: Lexington, KY
 Contractor: Delmae LLC

Plant: 100

2/5/2026 2:17:54 PM

Tech: J. Horsley - F

PC: T. Lewis



Structure ID: S5

P3 MH048LD12ECC

MH FLAT TOP w/ 24" ECC Hole F/G

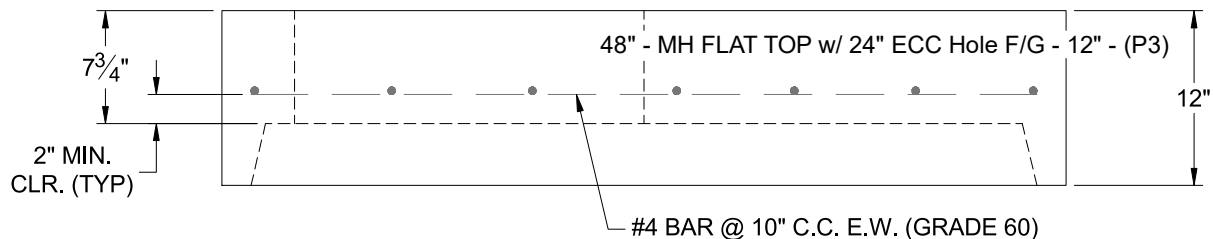
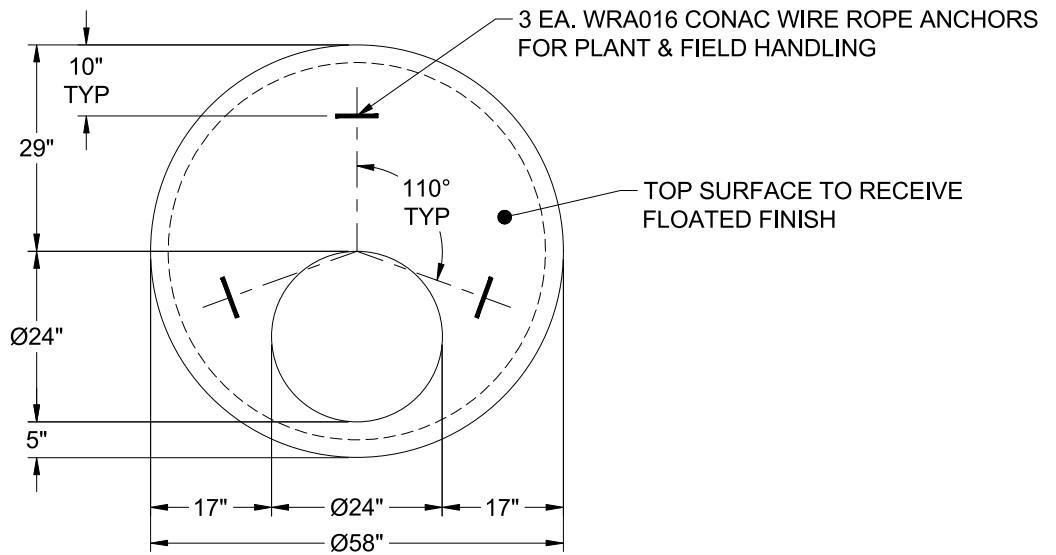
- P4) 24" - CASTING HEIGHT - 7"
- P3) 48" - MH FLAT TOP w/ 24" ECC Hole F/G - 12"
- P2) 48" - MH RISER SPECIAL T/G - 60"
- P1) 48" - MH BASE Custom Ht T/n - 56"
- 2) 48" - Conseal CS-102 1.00"
- 2) Hole - 24
- 1) Hole - 22
- 1) Hole - 20
- 10) MH Step ML-10-TDS-NCR - 10"

- 0 lb
- 1561 lb
- 4027 lb
- 4713 lb
- 0 lb
- 0 lb
- 0 lb
- 0 lb
- 0 lb
- 0 lb

Structure Total: 10300 lb

Structure Notes:

1. PER ASTM C-478 SPECIFICATIONS
2. CONCRETE: 4,000 PSI AT 28 DAYS
3. REINFORCEMENT: #4 BAR @ 10" C.C. E.W. (GRADE 60) - 2" MIN. REBAR CLEARANCE (TYP)
4. HOE MC-350 FRAME & COVER "STORM" SUPPLIED BY OTHERS
5. LIFTERS: 3 EA. WRA016 CONAC WIRE ROPE ANCHORS FOR PLANT & FIELD HANDLING
6. TOP SURFACE TO RECEIVE FLOATED FINISH



Coating (Int):
 Coating (Ext):

Seam Up: Flat
 Seam Dn: Groove

Wall Thickness: 5"

Height (Ext): 12"

Weight (Net): 1561 lb
 Volume (Net): 0.42cu.yd