

Job Name: 25-2592 - Meadows-Northland Ph 7
Job Location: Lexington, KY
Contractor: Delmae LLC

PC: T. Lewis
 TECH: J. Horsley - F
 Plant: 100



Structure ID: **S4**
 Spec: Storm
 Type: STM.MH
 Size: 48"

Rim: 969.53'
 Invert: 963.66'
 Rim to Invert: 5.87'

Sump: 2.75"
 Floor (Top): 963.431'
 Floor Height: 6"

Floor (Bot): 962.931'
 Overall Height: 6.583'
 Slack: 0.19"

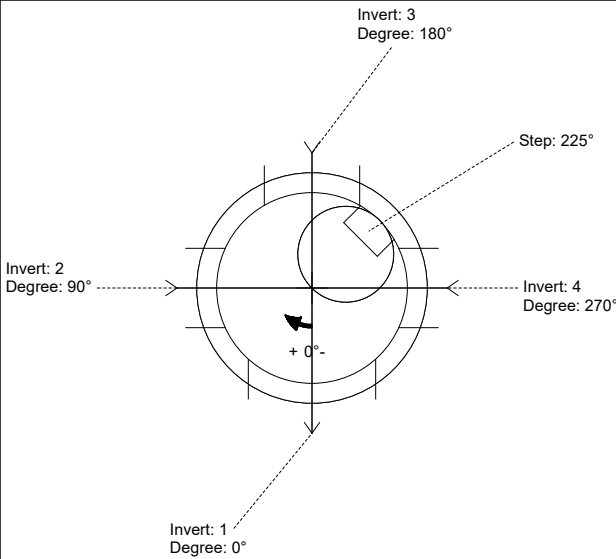
- Structure Notes:**
- PER ASTM C-478 SPECIFICATIONS
 - CONCRETE: 4,000 PSI AT 28 DAYS
 - REINFORCEMENT:
 - FLAT LID: #4 BAR @ 10" C.C. E.W. (GRADE 60)
 - BASE: PER ASTM A615
 - NO STORM INVERT
 - STEPS AT 225 DEGREES
 - HOE MC-350 FRAME & COVER "STORM" SUPPLIED BY OTHERS

STRUCTURE SUMMARY:

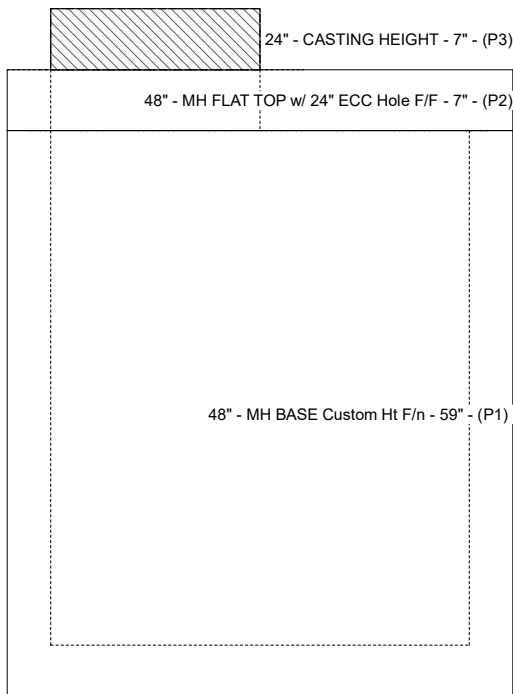
P3) 24" - CASTING HEIGHT - 7" 0 lb
 P2) 48" - MH FLAT TOP w/ 24" ECC Hole F/F - 7" 1286 lb
 P1) 48" - MH BASE Custom Ht F/n - 59" 4734 lb

1) 48" - Conseal CS-102 1.00" 0 lb
 1) Hole - 32 x 22 0 lb
 2) Hole - 20 0 lb
 1) Hole - 24 0 lb
 5) MH Step ML-10-TDS-NCR - 10" 0 lb

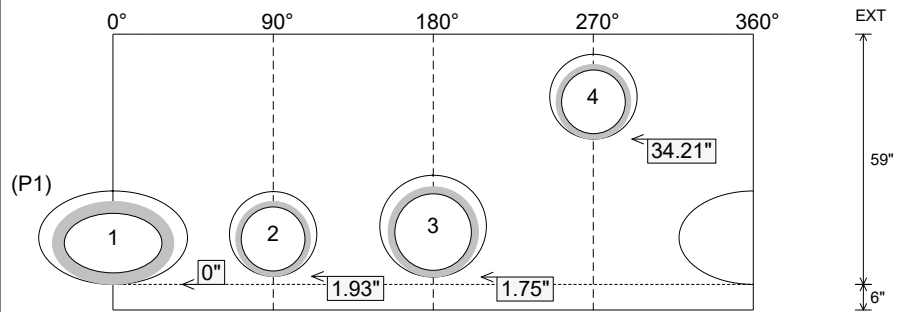
Structure Total: 6020 lb



Position	Elev	Angle	Pipe	Pipe OD	Hole	Connector	Up (")	Ref
Rim	969.53'							
Reducer								
Invert 1	963.66'	0°	23" x 14" ELL RCP	28.5" x 19.5"	32" x 22"	Hole 32 x 22	0"	P1
Invert 2	963.7'	90°	15" HDPE	17.6"	20"	Hole 20	1.93"	P1
Invert 3	963.71'	180°	18" HDPE	21.2"	24"	Hole 24	1.75"	P1
Invert 4	966.39'	270°	15" HDPE	17.6"	20"	Hole 20	34.21"	P1
Invert 5								
Invert 6								
Invert 7								
Invert 8								



Cast (Int. Dim.) - Interior Dimensions



Submittal Drawing
 2/5/2026 1:28:31 PM

SUBMITTAL
 APPROVED BY: