

**Job Name: 25-2592 - Meadows-Northland Ph 7**  
**Job Location: Lexington, KY**  
**Contractor: Delmae LLC**

PC: T. Lewis  
 TECH: J. Horsley - F  
 Plant: 100

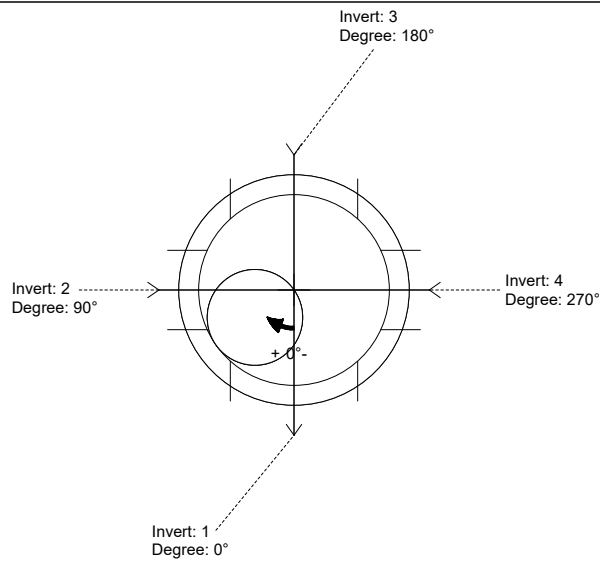


Structure ID: **S3**  
 Spec: Storm Rim: 966.56' Sump: 2.75" Floor (Bot): 962.341'  
 Type: STM.MH Invert: 963.07' Floor (Top): 962.841' Overall Height: 4.167'  
 Size: 48" Rim to Invert: 3.49' Floor Height: 6" Slack: 0.63"

- Structure Notes:**
- PER ASTM C-478 SPECIFICATIONS
  - CONCRETE: 4,000 PSI AT 28 DAYS
  - REINFORCEMENT:  
 - FLAT LID: #4 BAR @ 10" C.C. E.W. (GRADE 60)  
 - BASE: PER ASTM A615
  - NO STORM INVERT
  - NO STEPS
  - HOE MC-350 FRAME & COVER "STORM" SUPPLIED BY OTHERS

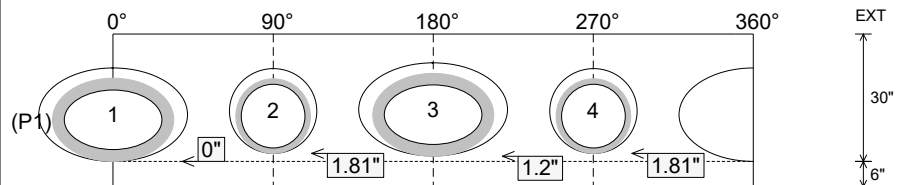
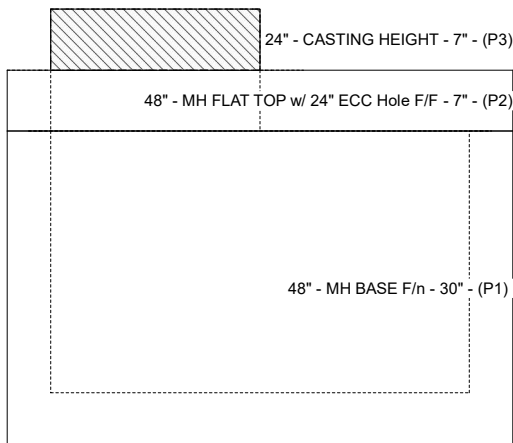
**STRUCTURE SUMMARY:**

- P3) 24" - CASTING HEIGHT - 7" 0 lb
- P2) 48" - MH FLAT TOP w/ 24" ECC Hole F/F - 7" 1286 lb
- P1) 48" - MH BASE F/n - 30" 2656 lb
- 1) 48" - Conseal CS-102 1.00" 0 lb
- 2) Hole - 32 x 22 0 lb
- 2) Hole - 20 0 lb
- Structure Total: 3942 lb



| Position | Elev    | Angle | Pipe              | Pipe OD       | Hole      | Connector    | Up (") | Ref |
|----------|---------|-------|-------------------|---------------|-----------|--------------|--------|-----|
| Rim      | 966.56' |       |                   |               |           |              |        |     |
| Reducer  |         |       |                   |               |           |              |        |     |
| Invert 1 | 963.07' | 0°    | 23" x 14" ELL RCP | 28.5" x 19.5" | 32" x 22" | Hole 32 x 22 | 0"     | P1  |
| Invert 2 | 963.1'  | 90°   | 15" HDPE          | 17.6"         | 20"       | Hole 20      | 1.81"  | P1  |
| Invert 3 | 963.17' | 180°  | 23" x 14" ELL RCP | 28.5" x 19.5" | 32" x 22" | Hole 32 x 22 | 1.2"   | P1  |
| Invert 4 | 963.1'  | 270°  | 15" HDPE          | 17.6"         | 20"       | Hole 20      | 1.81"  | P1  |
| Invert 5 |         |       |                   |               |           |              |        |     |
| Invert 6 |         |       |                   |               |           |              |        |     |
| Invert 7 |         |       |                   |               |           |              |        |     |
| Invert 8 |         |       |                   |               |           |              |        |     |

**Cast (Int. Dim.) - Interior Dimensions**



Submittal Drawing  
 2/5/2026 1:28:26 PM

SUBMITTAL  
 APPROVED BY: