

**Job Name: 25-2592 - Meadows-Northland Ph 7**  
**Job Location: Lexington, KY**  
**Contractor: Delmae LLC**

PC: T. Lewis  
 TECH: J. Horsley - F  
 Plant: 100



Structure ID: **S2**  
 Spec: Storm  
 Type: STM.MH  
 Size: 48"

Rim: 965.8'  
 Invert: 962.49'  
 Rim to Invert: 3.31'

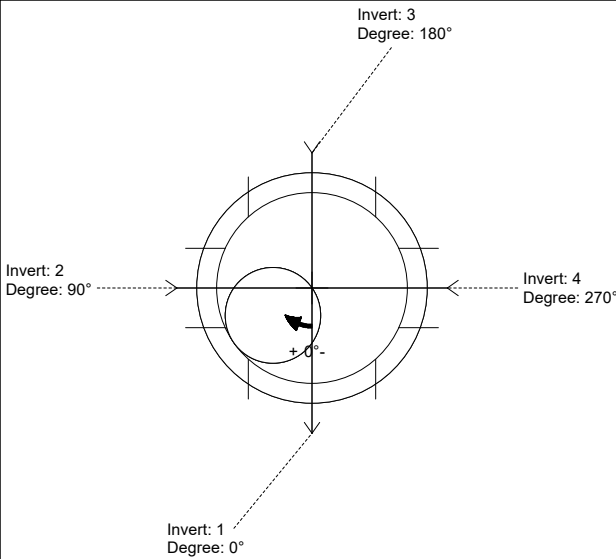
Sump: 2.75"  
 Floor (Top): 962.261'  
 Floor Height: 6"

Floor (Bot): 961.761'  
 Overall Height: 4'  
 Slack: 0.47"

- Structure Notes:**
- PER ASTM C-478 SPECIFICATIONS
  - CONCRETE: 4,000 PSI AT 28 DAYS
  - REINFORCEMENT:
    - FLAT LID: #4 BAR @ 10" C.C. E.W. (GRADE 60)
    - BASE: PER ASTM A615
  - NO STORM INVERT
  - NO STEPS
  - HOE MC-350 FRAME & COVER "STORM" SUPPLIED BY OTHERS

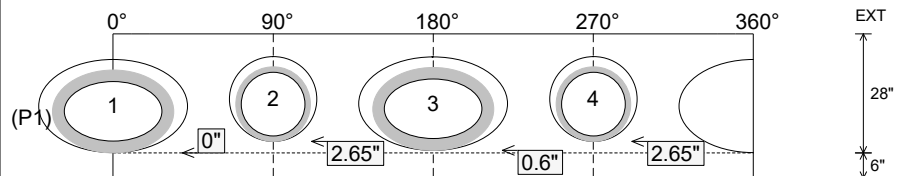
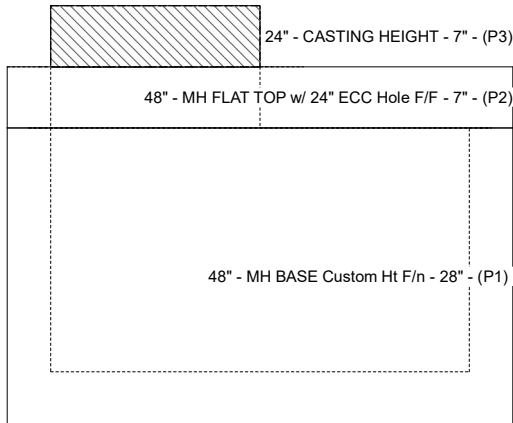
**STRUCTURE SUMMARY:**

P3) 24" - CASTING HEIGHT - 7"	0 lb
P2) 48" - MH FLAT TOP w/ 24" ECC Hole F/F - 7"	1286 lb
P1) 48" - MH BASE Custom Ht F/n - 28"	2516 lb
1) 48" - Conseal CS-102 1.00"	0 lb
2) Hole - 32 x 22	0 lb
2) Hole - 20	0 lb
<b>Structure Total:</b>	<b>3802 lb</b>



Position	Elev	Angle	Pipe	Pipe OD	Hole	Connector	Up (")	Ref
Rim	965.8'							
Reducer								
Invert 1	962.49'	0°	23" x 14" ELL RCP	28.5" x 19.5"	32" x 22"	Hole 32 x 22	0"	P1
Invert 2	962.59'	90°	15" HDPE	17.6"	20"	Hole 20	2.65"	P1
Invert 3	962.54'	180°	23" x 14" ELL RCP	28.5" x 19.5"	32" x 22"	Hole 32 x 22	0.6"	P1
Invert 4	962.59'	270°	15" HDPE	17.6"	20"	Hole 20	2.65"	P1
Invert 5								
Invert 6								
Invert 7								
Invert 8								

**Cast (Int. Dim.) - Interior Dimensions**



Submittal Drawing  
 2/5/2026 1:28:26 PM

SUBMITTAL  
 APPROVED BY: