

Job Name: 25-2592 - Meadows-Northland Ph 7
 Job Location: Lexington, KY
 Contractor: Delmae LLC

Plant: 100

2/5/2026 2:17:52 PM

Tech: J. Horsley - F

PC: T. Lewis



Structure ID: S1

P2 BX4896_08LD08

CB FLAT TOP 8"W w/24"Hole F/F

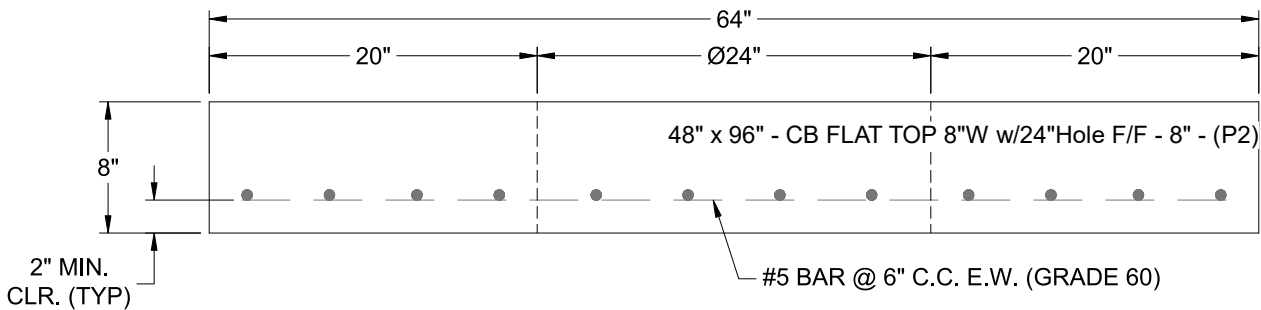
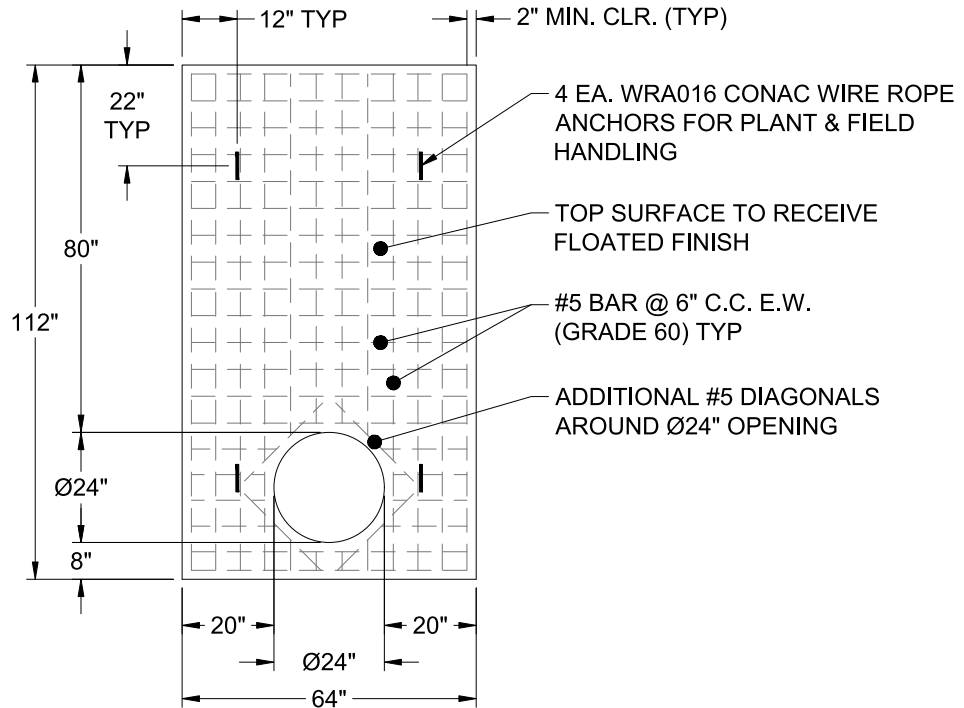
- P3) 24" - CASTING HEIGHT - 7"
- P2) 48" x 96" - CB FLAT TOP 8"W w/24"Hole F/F - 8"
- P1) 48" x 96" - BOX BASE 8inW, 8inF F/n - 30"
- 1) SECONDARY POUR
- 1) 48" x 96" - Conseal CS-102 1.00"
- 4) Hole - 40 x 28
- 1) Hole - 32 x 22

- 0 lb
- 4508 lb
- 8523 lb
- 0 lb
- 0 lb
- 0 lb
- 0 lb

Structure Total: 13031 lb

Structure Notes:

1. PER ASTM C-913 SPECIFICATIONS
2. CONCRETE: 4,000 PSI AT 28 DAYS
3. REINFORCEMENT: #5 BAR @ 6" C.C. E.W. (GRADE 60) - 2" MIN. REBAR CLEARANCE (TYP)
4. HOE MC-350 FRAME & COVER "STORM" SUPPLIED BY OTHERS
5. LIFTERS: 4 EA. WRA016 CONAC WIRE ROPE ANCHORS FOR PLANT & FIELD HANDLING
6. TOP SURFACE TO RECEIVE FLOATED FINISH



Coating (Int): Coating (Ext):	Seam Up: Flat Seam Dn: Flat	Wall Thickness: 8"	Height (Ext): 8"	Weight (Net): 4508 lb Volume (Net): 1.15cu.yd
----------------------------------	--------------------------------	--------------------	------------------	--