

Job Name: 25-2592 - Meadows-Northland Ph 7
 Job Location: Lexington, KY
 Contractor: Delmae LLC

Plant: 100

2/5/2026 2:17:01 PM

Tech: J. Horsley - F

PC: T. Lewis



Structure ID: S1

P1 BX4896-08BA30

BOX BASE 8inW, 8inF F/n

- P3) 24" - CASTING HEIGHT - 7"
- P2) 48" x 96" - CB FLAT TOP 8"W w/24"Hole F/F - 8"
- P1) 48" x 96" - BOX BASE 8inW, 8inF F/n - 30"
- 1) SECONDARY POUR
- 1) 48" x 96" - Conseal CS-102 1.00"
- 4) Hole - 40 x 28
- 1) Hole - 32 x 22

0 lb
 4508 lb
 8523 lb
 0 lb
 0 lb
 0 lb
 0 lb

 Structure Total: 13031 lb

- Structure Notes:**
1. PER ASTM C-913 SPECIFICATIONS
 2. CONCRETE: 4,000 PSI AT 28 DAYS
 3. REINFORCEMENT: #5 BAR @ 12" C.C. E.W. (GRADE 60) - 2" MIN. REBAR CLEARANCE (TYP)
 4. NO STORM INVERT
 5. NO STEPS
 6. HOE MC-350 FRAME & COVER "STORM" SUPPLIED BY OTHERS
 7. WET STICK 20" X 20" #5 L-BARS SPACED @ 12" C.C. (GRADE 60) OUT OF FLOOR FOR WALL POUR TIE-IN (SEE L-BAR DETAIL)
 8. LIFTERS: 4 EA. 4CA14 CONAC A-ANCHORS FOR PLANT & FIELD HANDLING - INSTALLED IN FLOOR, MIN. 16" FROM EDGE OF SLAB

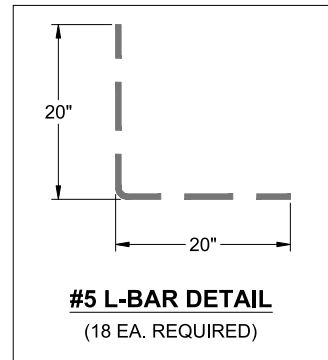
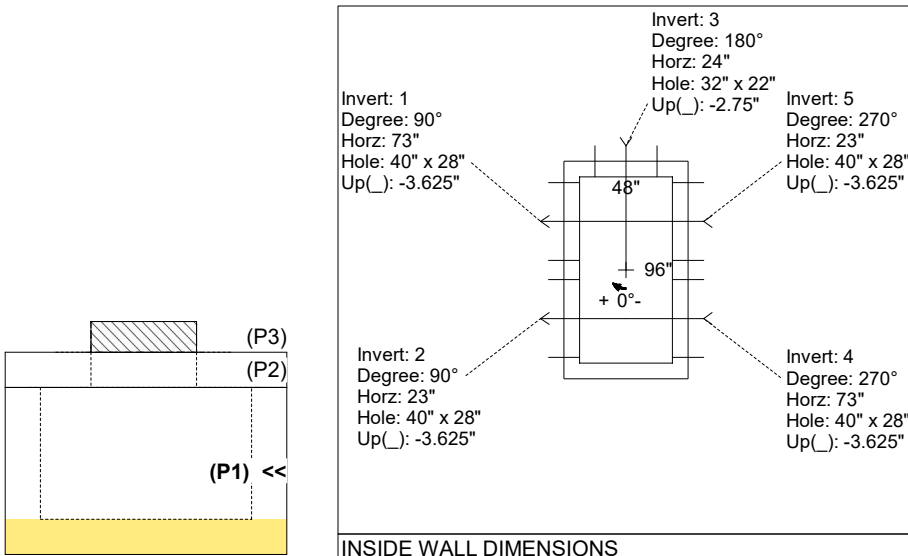
FIRST POUR (FLOOR): 4,812 LBS
SECOND POUR (WALLS): 3,711 LBS

Rim: 966.09' Rim to Invert: 3.79' Slack: 0.48' Sump: 0" Step Position:

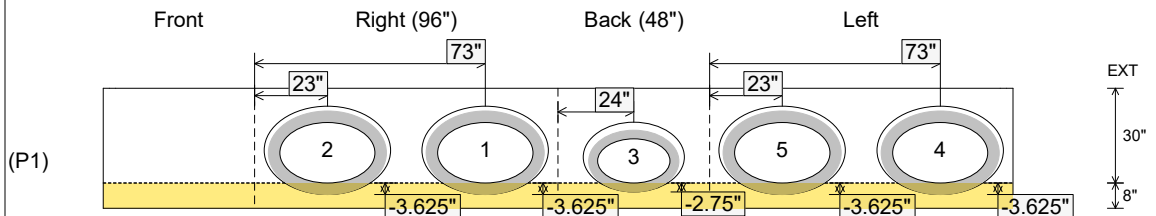
Position	Elev	Angle	Ext. (cw)	Pipe	Pipe OD	Connector	Hole	Horz Size	Up ()	Offset
Invert 1	962.3'	90°	81"	30" x 19" ELL RCP	37.375" x 26.438"	Hole 40 x 28	40" x 28"	40"	-3.625"	25"
Invert 2	962.3'	90°	31"	30" x 19" ELL RCP	37.375" x 26.438"	Hole 40 x 28	40" x 28"	40"	-3.625"	-25"
Invert 3	962.3'	180°	32"	23" x 14" ELL RCP	28.5" x 19.5"	Hole 32 x 22	32" x 22"	32"	-2.75"	0"
Invert 4	962.3'	270°	81"	30" x 19" ELL RCP	37.375" x 26.438"	Hole 40 x 28	40" x 28"	40"	-3.625"	25"
Invert 5	962.3'	270°	31"	30" x 19" ELL RCP	37.375" x 26.438"	Hole 40 x 28	40" x 28"	40"	-3.625"	-25"
Invert 6										
Invert 7										
Invert 8										

RIGHT-SIDE UP VIEW (int. dimensions)

UPSIDE-DOWN VIEW (int. dimensions)



INSIDE WALL DIMENSIONS



Coating (Int):
 Coating (Ext):

Seam Up: Flat
 Seam Dn: n/a

Wall Thickness: 8"
 Floor Height: 8"

Height (Int): 30"
 Height (Ext): 38"

Weight (Net): 8523 lb
 Volume (Net): 2.18cu.yd

Job Name: 25-2592 - Meadows-Northland Ph 7
 Job Location: Lexington, KY
 Contractor: Delmae LLC

Plant: 100

2/5/2026 2:17:01 PM

Tech: J. Horsley - F

PC: T. Lewis



Structure ID: S1

P1 BX4896-08BA30

BOX BASE 8inW, 8inF F/n

- P3) 24" - CASTING HEIGHT - 7"
- P2) 48" x 96" - CB FLAT TOP 8"W w/24"Hole F/F - 8"
- P1) 48" x 96" - BOX BASE 8inW, 8inF F/n - 30"
- 1) SECONDARY POUR
- 1) 48" x 96" - Conseal CS-102 1.00"
- 4) Hole - 40 x 28
- 1) Hole - 32 x 22

0 lb
 4508 lb
 8523 lb
 0 lb
 0 lb
 0 lb
 0 lb

Structure Total: 13031 lb

Structure Notes:

1. PER ASTM C-913 SPECIFICATIONS
2. CONCRETE: 4,000 PSI AT 28 DAYS
3. REINFORCEMENT: #5 BAR @ 12" C.C. E.W. (GRADE 60) - 2" MIN. REBAR CLEARANCE (TYP)
4. NO STORM INVERT
5. NO STEPS
6. HOE MC-350 FRAME & COVER "STORM" SUPPLIED BY OTHERS

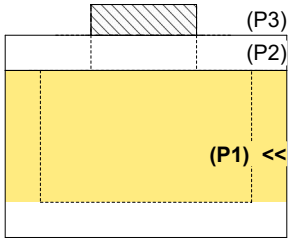
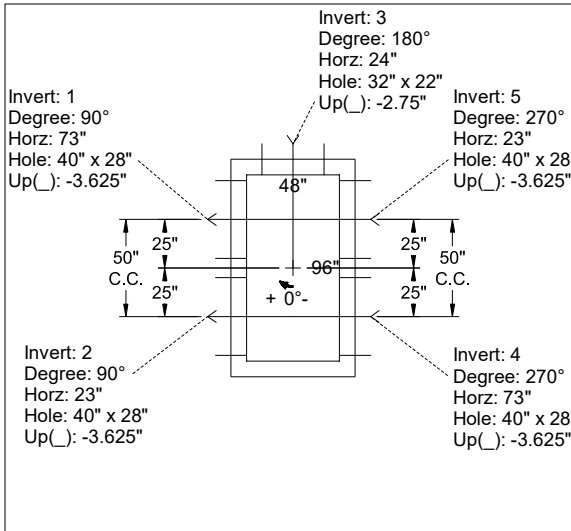
FIRST POUR (FLOOR): 4,812 LBS
SECOND POUR (WALLS): 3,711 LBS

Rim: 966.09' Rim to Invert: 3.79' Slack: 0.48" Sump: 0" Step Position:

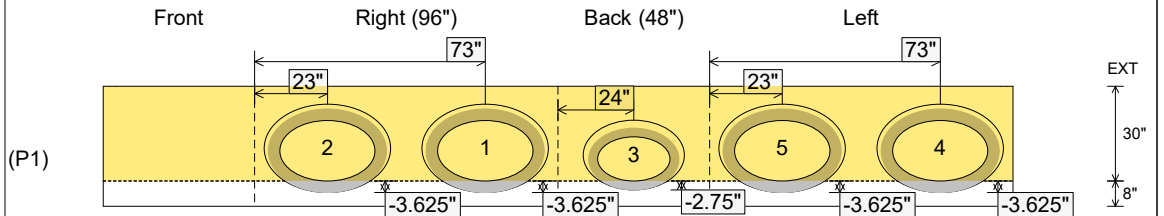
Position	Elev	Angle	Ext. (cw)	Pipe	Pipe OD	Connector	Hole	Horz Size	Up ()	Offset
Invert 1	962.3'	90°	81"	30" x 19" ELL RCP	37.375" x 26.438"	Hole 40 x 28	40" x 28"	40"	-3.625"	25"
Invert 2	962.3'	90°	31"	30" x 19" ELL RCP	37.375" x 26.438"	Hole 40 x 28	40" x 28"	40"	-3.625"	-25"
Invert 3	962.3'	180°	32"	23" x 14" ELL RCP	28.5" x 19.5"	Hole 32 x 22	32" x 22"	32"	-2.75"	0"
Invert 4	962.3'	270°	81"	30" x 19" ELL RCP	37.375" x 26.438"	Hole 40 x 28	40" x 28"	40"	-3.625"	25"
Invert 5	962.3'	270°	31"	30" x 19" ELL RCP	37.375" x 26.438"	Hole 40 x 28	40" x 28"	40"	-3.625"	-25"
Invert 6										
Invert 7										
Invert 8										

RIGHT-SIDE UP VIEW (int. dimensions)

UPSIDE-DOWN VIEW (int. dimensions)



INSIDE WALL DIMENSIONS



Coating (Int):
 Coating (Ext):

Seam Up: Flat
 Seam Dn: n/a

Wall Thickness: 8"
 Floor Height: 8"

Height (Int): 30"
 Height (Ext): 38"

Weight (Net): 8523 lb
 Volume (Net): 2.18cu.yd