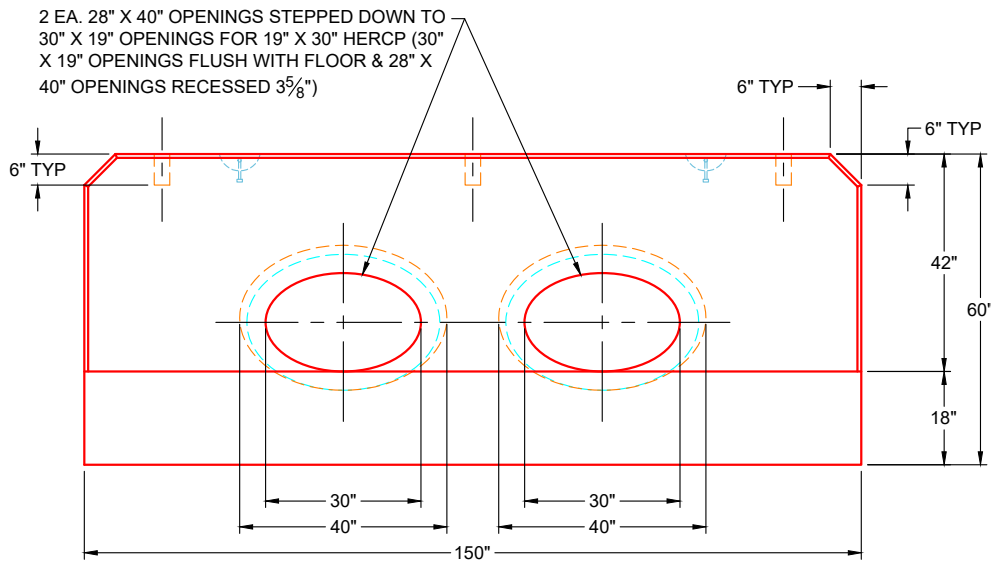


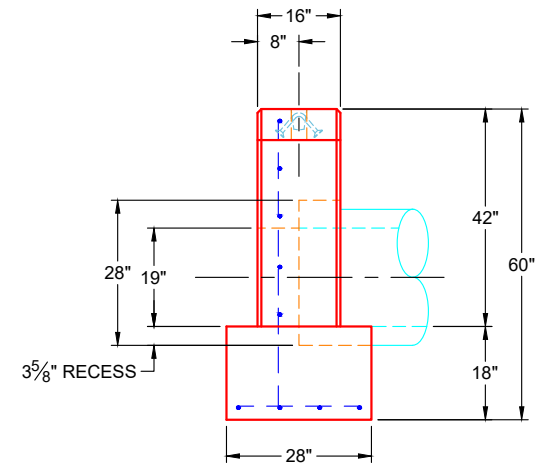
PLAN VIEW

GENERAL NOTES:

1. CONCRETE: 5,000 PSI OR GREATER AT 28 DAYS
2. REINFORCING: #5 BAR @ 12" C.C. E.W. (GRADE 60) (MIN. 2" CONCRETE COVER)
3. WEIGHT: 12,895 LBS
4. CONTRACTOR TO VERIFY ALL DIMENSIONS BEFORE MANUFACTURE
5. ALL LIFT POINTS AND PIPE OPENINGS TO BE GROUTED BY CONTRACTOR
6. 3/4" CHAMFER ON ALL EXPOSED EDGES



FRONT VIEW



SIDE VIEW

REVISION INFORMATION

REV.	DATE:	NO REVISIONS TO DATE



SUBMITTAL DRAWING: 19" X 30" KY DOUBLE STRAIGHT HW		
CUSTOMER: DELMAE, LLC		
PROJECT: MEADOWS-NORTHLAND PH 7		
STRUCTURE: HDWL-1		
QUOTE/SALES ORDER NO: 25-2592		
CHECKED BY: B. SMITH	DRAWN BY: K. CARDWELL	
DATE: 02/05/26	SCALE: NTS	PG. 1 OF 1