

**Job Name: 25-2592 - Meadows-Northland Ph 7**  
**Job Location: Lexington, KY**  
**Contractor: Delmae LLC**

PC: T. Lewis  
 TECH: J. Horsley - F  
 Plant: 100



Structure ID: **G1**  
 Spec: LEXINGTON  
 Type: CBI TYPE D  
 Size: 48"

Rim: 975.37'  
 Invert: 967.86'  
 Rim to Invert: 7.51'

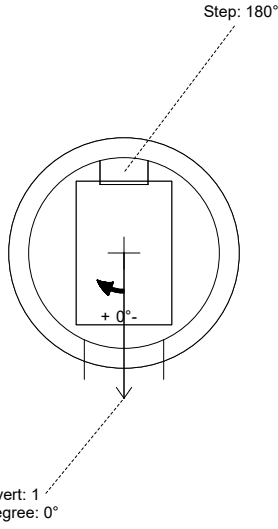
Sump: 0"  
 Floor (Top): 967.86"  
 Floor Height: 6"

Floor (Bot): 967.36'  
 Overall Height: 8"  
 Slack: 0.12"

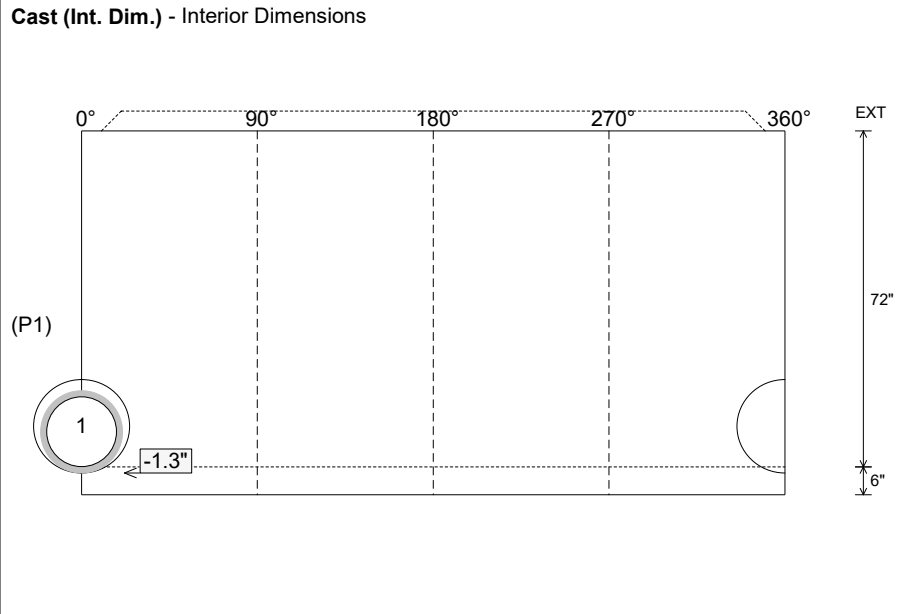
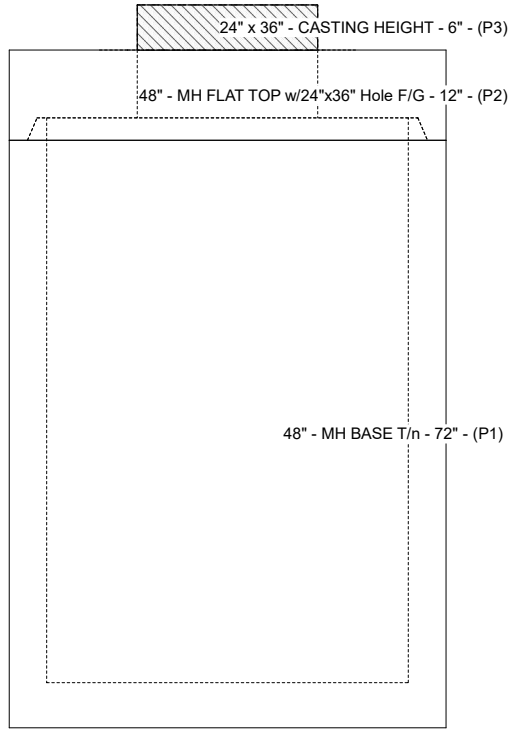
- Structure Notes:**
- PER LFUCG CBI TYPE D / ASTM C-478 SPECIFICATIONS
  - CONCRETE: 4,000 PSI AT 28 DAYS
  - REINFORCEMENT:  
 - FLAT LID: #4 BAR @ 10" C.C. E.W. (GRADE 60)  
 - BASE: PER ASTM A615
  - NO STORM INVERT
  - STEPS AT 180 DEGREES
  - HOE 525 FRAME, L-VANE GRATE, & CURB HOOD SUPPLIED BY OTHERS

**STRUCTURE SUMMARY:**

P3) 24" x 36" - CASTING HEIGHT - 6"	0 lb
P2) 48" - MH FLAT TOP w/24"x36" Hole F/G - 12"	1300 lb
P1) 48" - MH BASE T/n - 72"	6225 lb
1) 48" - Conseal CS-102 1.00"	0 lb
1) 24" x 36" - Conseal CS-102 1.00"	0 lb
1) Hole - 20	0 lb
6) MH Step ML-10-TDS-NCR - 10"	0 lb
	-----
Structure Total:	7525 lb



Position	Elev	Angle	Pipe	Pipe OD	Hole	Connector	Up (L)	Ref
Rim	975.37'							
Reducer								
Invert 1	967.86'	0°	15" HDPE	17.6"	20"	Hole 20	-1.3"	P1
Invert 2								
Invert 3								
Invert 4								
Invert 5								
Invert 6								
Invert 7								
Invert 8								



Submittal Drawing  
 2/5/2026 1:28:30 PM

SUBMITTAL  
 APPROVED BY: