

Job Name: 25-2592 - Meadows-Northland Ph 7
Job Location: Lexington, KY
Contractor: Delmae LLC

PC: T. Lewis
 TECH: J. Horsley - F
 Plant: 100



Structure ID: 234

Spec: Sanitary
 Type: SAN.MH w/ConBlock-CDA Red
 Size: 48"

Rim: 966.11'
 Invert: 958.89'
 Rim to Invert: 7.22'

Sump: 2"
 Floor (Top): 958.723'
 Floor Height: 8"

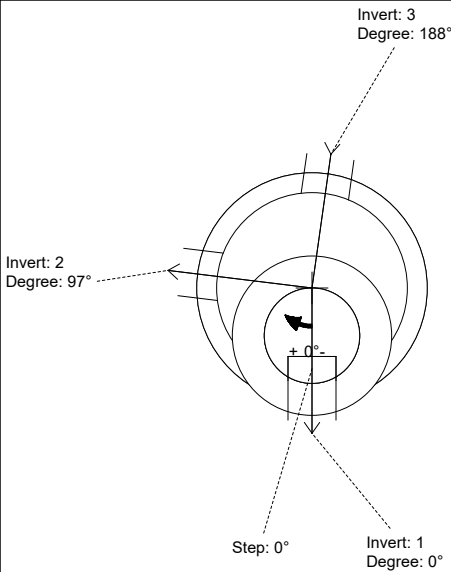
Floor (Bot): 958.057'
 Overall Height: 8'
 Slack: 0.64"

Structure Notes:

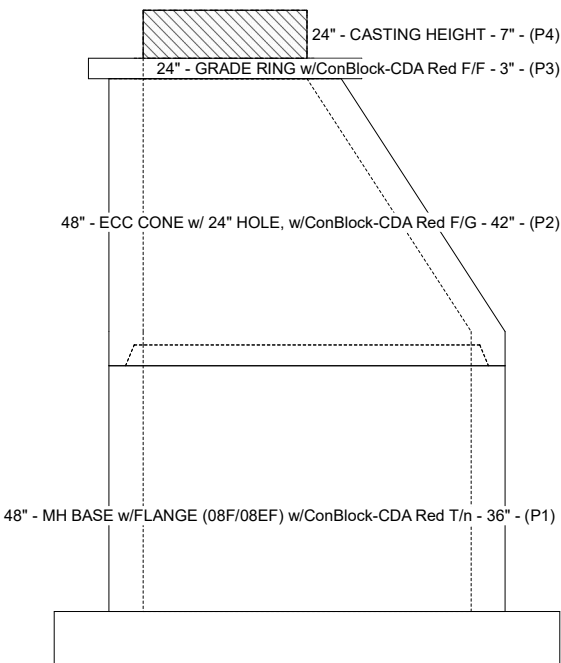
1. PER ASTM C-478 SPECIFICATIONS
2. CONCRETE: 4,000 PSI AT 28 DAYS
3. REINFORCEMENT: PER ASTM A615
4. INVERT CHANNEL REQUIRED
5. CONBLOCK CDA RED ADMIXTURE REQUIRED
6. STEPS AT 0 DEGREES
7. HOE MC-350 FRAME & COVER "SANITARY" SUPPLIED BY OTHERS

STRUCTURE SUMMARY:

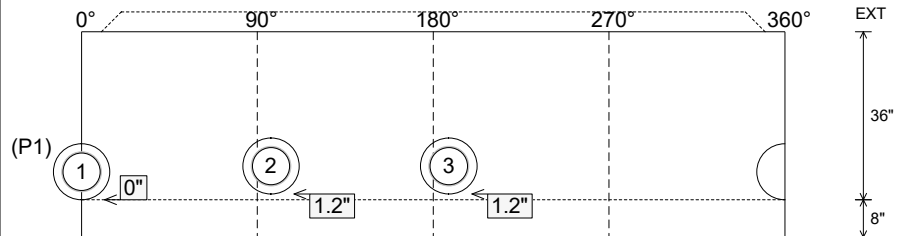
P4) 24" - CASTING HEIGHT - 7"	0 lb
P3) 24" - GRADE RING w/ConBlock-CDA Red F/F - 3"	202 lb
P2) 48" - ECC CONE w/ 24" HOLE, w/ConBlock-CDA Red F/G - 42"	3116 lb
P1) 48" - MH BASE w/FLANGE (08F/08EF) w/ConBlock-CDA Red T/n - 36"	5258 lb
1) 48" - MH INVERT CHANNEL w/ConBlock-CDA Red - FULL HEIGHT	1440 lb
1) JOINT WRAP - 12" WD x 048" MAC WRAP	0 lb
1) ADMIXTURE CONBLOCK CDA RED	0 lb
1) 48" - Conseal CS-102 1.00" (Double)	0 lb
3) PSX - 12-08 NYLO	24 lb
7) MH Step ML-10-TDS-NCR - 10"	0 lb
Structure Total:	10041 lb



Position	Elev	Angle	Pipe	Pipe OD	Hole	Connector	Up (L)	Ref
Rim	966.11'							
Reducer								
Invert 1	958.89'	0°	8" PVC SDR35	8.5"	12"	PSX 12-08 NYLO	0"	P1
Invert 2	958.99'	97°	8" PVC SDR35	8.5"	12"	PSX 12-08 NYLO	1.2"	P1
Invert 3	958.99'	188°	8" PVC SDR35	8.5"	12"	PSX 12-08 NYLO	1.2"	P1
Invert 4								
Invert 5								
Invert 6								
Invert 7								
Invert 8								



Cast (Int. Dim.) - Interior Dimensions



Submittal Drawing
 2/5/2026 1:28:35 PM

SUBMITTAL
 APPROVED BY: