

Job Name: 25-2592 - Meadows-Northland Ph 7
 Job Location: Lexington, KY
 Contractor: Delmae LLC

Plant: 100

2/5/2026 2:17:13 PM

Tech: J. Horsley - F

PC: T. Lewis



Structure ID: 234

P1 MH048BAEVFCDARED

MH BASE w/FLANGE (08F/08EF) w/ConBlock-CDA Red

- P4) 24" - CASTING HEIGHT - 7"
- P3) 24" - GRADE RING w/ConBlock-CDA Red F/F - 3"
- P2) 48" - ECC CONE w/ 24" HOLE, w/ConBlock-CDA Red F/G - 42"
- P1) 48" - MH BASE w/FLANGE (08F/08EF) w/ConBlock-CDA Red T/n - 36"
- 1) 48" - MH INVERT CHANNEL w/ConBlock-CDA Red - FULL HEIGHT
- 1) JOINT WRAP - 12" WD x 048" MAC WRAP
- 1) ADMIXTURE CONBLOCK CDA RED
- 1) 48" - Conseal CS-102 1.00" (Double)
- 3) PSX - 12-08 NYLO
- 7) MH Step ML-10-TDS-NCR - 10"

- Structure Notes:**
1. PER ASTM C-478 SPECIFICATIONS
 2. CONCRETE: 4,000 PSI AT 28 DAYS
 3. REINFORCEMENT: PER ASTM A615
 4. INVERT CHANNEL REQUIRED
 5. CONBLOCK CDA RED ADMIXTURE REQUIRED
 6. STEPS AT 0 DEGREES
 7. HOE MC-350 FRAME & COVER "SANITARY" SUPPLIED BY OTHERS

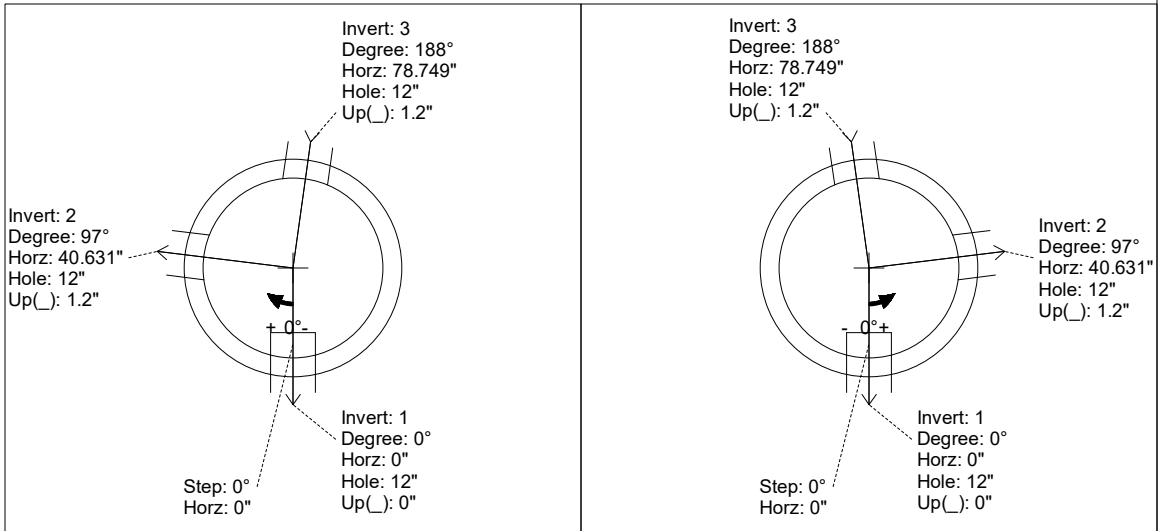
Structure Total: 10041 lb

Rim: 966.11' Rim to Invert: 7.22' Slack: 0.64" Sump: 2" Step Position: 0°

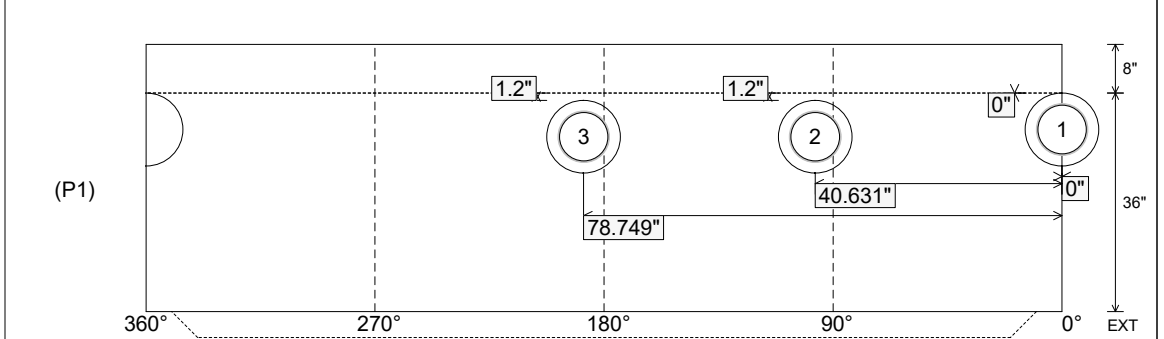
Position	Elev	Angle	Ext. (cw)	Pipe	Pipe OD	Connector	Hole	Horz Size	Up ()	Offset
Invert 1	958.89'	0°	0"	8" PVC SDR35	8.5"	PSX 12-08 NYLO	12"	12.129"	0"	0"
Invert 2	958.99'	97°	49.096"	8" PVC SDR35	8.5"	PSX 12-08 NYLO	12"	12.129"	1.2"	0"
Invert 3	958.99'	188°	95.155"	8" PVC SDR35	8.5"	PSX 12-08 NYLO	12"	12.129"	1.2"	0"
Invert 4										
Invert 5										
Invert 6										
Invert 7										
Invert 8										

RIGHT-SIDE UP VIEW (int. dimensions)

UPSIDE-DOWN VIEW (int. dimensions)



INSIDE WALL DIMENSIONS



Coating (Int): Coating (Ext):	Seam Up: Tongue Seam Dn: n/a	Wall Thickness: 5" Floor Height: 8"	Height (Int): 36" Height (Ext): 44"	Weight (Net): 5258 lb Volume (Net): 1.34cu.yd
----------------------------------	---------------------------------	--	--	--

Job Name: 25-2592 - Meadows-Northland Ph 7
 Job Location: Lexington, KY
 Contractor: Delmae LLC

Plant: 100

2/5/2026 2:17:13 PM

Tech: J. Horsley - F

PC: T. Lewis



Structure ID: 234

P1 MH048BAEVFCDARED

MH BASE w/FLANGE (08F/08EF) w/ConBlock-CDA Red

- P4) 24" - CASTING HEIGHT - 7"
- P3) 24" - GRADE RING w/ConBlock-CDA Red F/F - 3"
- P2) 48" - ECC CONE w/ 24" HOLE, w/ConBlock-CDA Red F/G - 42"
- P1) 48" - MH BASE w/FLANGE (08F/08EF) w/ConBlock-CDA Red T/n - 36"
- 1) 48" - MH INVERT CHANNEL w/ConBlock-CDA Red - FULL HEIGHT
- 1) JOINT WRAP - 12" WD x 048" MAC WRAP
- 1) ADMIXTURE CONBLOCK CDA RED
- 1) 48" - Conseal CS-102 1.00" (Double)
- 3) PSX - 12-08 NYLO
- 7) MH Step ML-10-TDS-NCR - 10"

0 lb	Structure Notes:
202 lb	1. PER ASTM C-478 SPECIFICATIONS
3116 lb	2. CONCRETE: 4,000 PSI AT 28 DAYS
5258 lb	3. REINFORCEMENT: PER ASTM A615
1440 lb	4. INVERT CHANNEL REQUIRED
0 lb	5. CONBLOCK CDA RED ADMIXTURE REQUIRED
0 lb	6. STEPS AT 0 DEGREES
0 lb	7. HOE MC-350 FRAME & COVER "SANITARY"
24 lb	SUPPLIED BY OTHERS
0 lb	

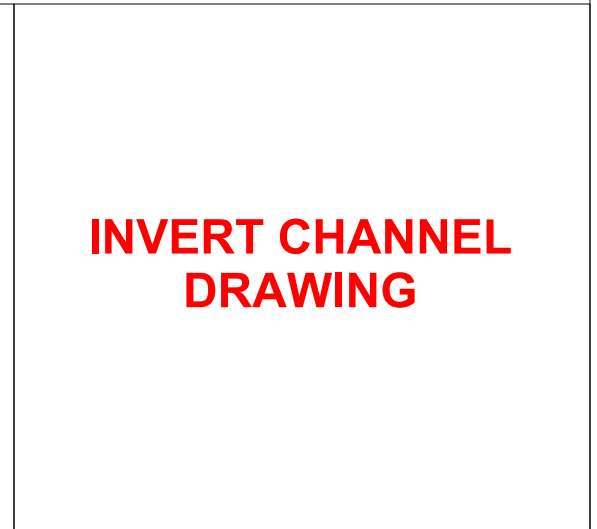
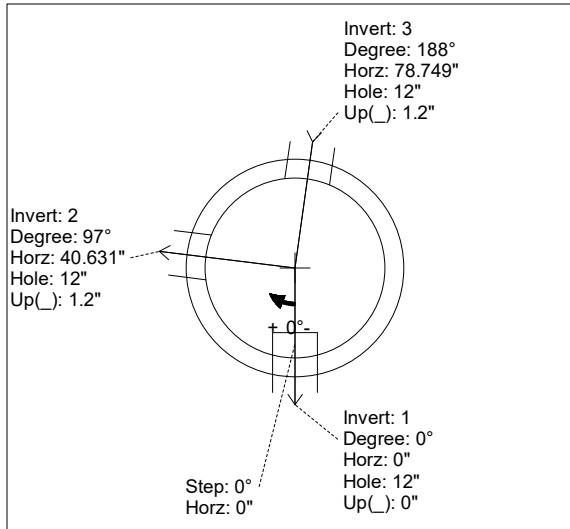
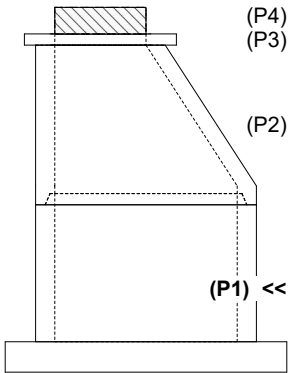
Structure Total: 10041 lb

Rim: 966.11' Rim to Invert: 7.22' Slack: 0.64" Sump: 2" Step Position: 0°

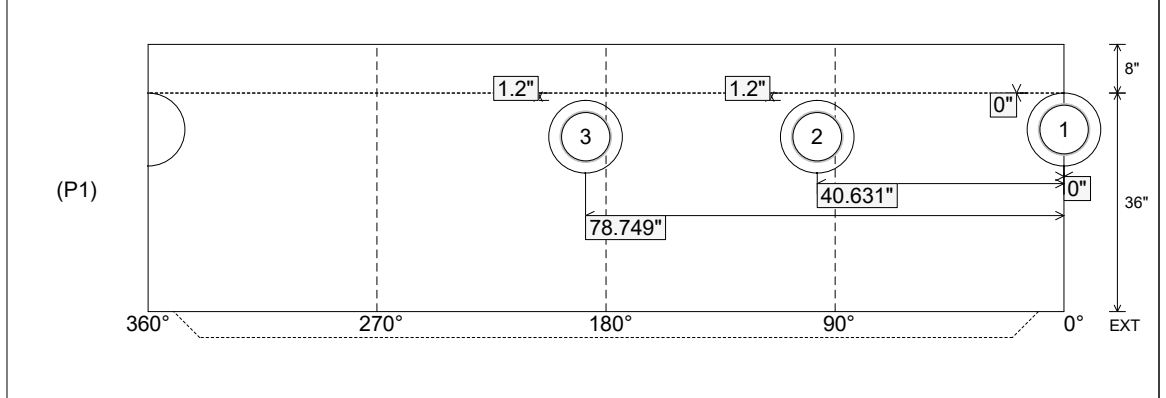
Position	Elev	Angle	Ext. (cw)	Pipe	Pipe OD	Connector	Hole	Horz Size	Up ()	Offset
Invert 1	958.89'	0°	0"	8" PVC SDR35	8.5"	PSX 12-08 NYLO	12"	12.129"	0"	0"
Invert 2	958.99'	97°	49.096"	8" PVC SDR35	8.5"	PSX 12-08 NYLO	12"	12.129"	1.2"	0"
Invert 3	958.99'	188°	95.155"	8" PVC SDR35	8.5"	PSX 12-08 NYLO	12"	12.129"	1.2"	0"
Invert 4										
Invert 5										
Invert 6										
Invert 7										
Invert 8										

RIGHT-SIDE UP VIEW (int. dimensions)

UPSIDE-DOWN VIEW (int. dimensions)



INSIDE WALL DIMENSIONS



Coating (Int): Coating (Ext):	Seam Up: Tongue Seam Dn: n/a	Wall Thickness: 5" Floor Height: 8"	Height (Int): 36" Height (Ext): 44"	Weight (Net): 5258 lb Volume (Net): 1.34cu.yd
----------------------------------	---------------------------------	--	--	--