

Job Name: 25-2592 - Meadows-Northland Ph 7
Job Location: Lexington, KY
Contractor: Delmae LLC

PC: T. Lewis
 TECH: J. Horsley - F
 Plant: 100



Structure ID: 231

Spec: Sanitary
 Type: SAN.MH w/ConBlock-CDA Red
 Size: 48"

Rim: 976.9'
 Invert: 969.87'
 Rim to Invert: 7.03'

Sump: 2"
 Floor (Top): 969.703'
 Floor Height: 8"

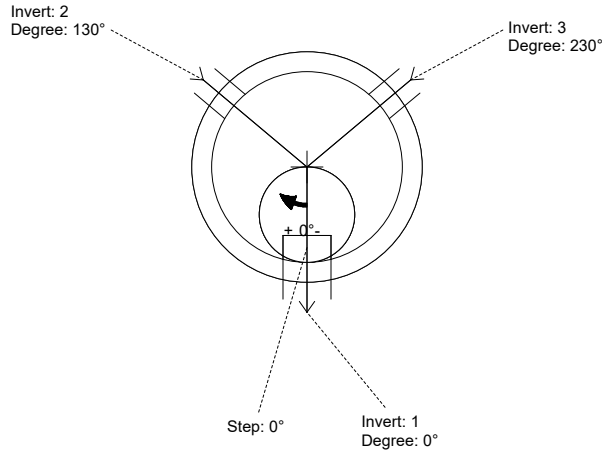
Floor (Bot): 969.037'
 Overall Height: 7.75'
 Slack: 1.36"

Structure Notes:

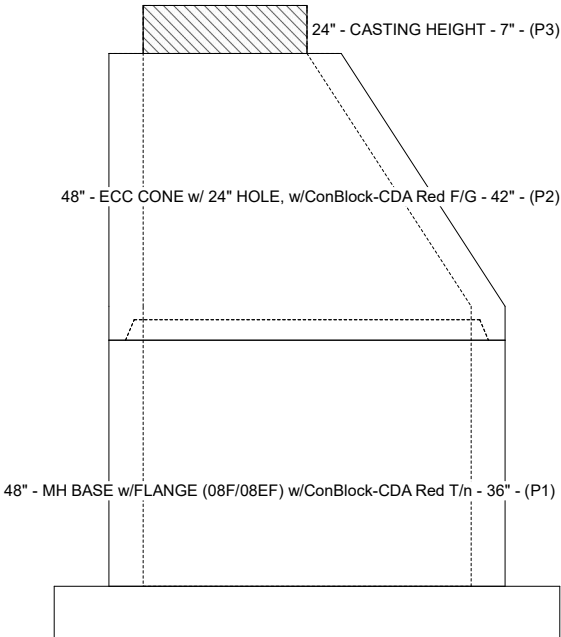
1. PER ASTM C-478 SPECIFICATIONS
2. CONCRETE: 4,000 PSI AT 28 DAYS
3. REINFORCEMENT: PER ASTM A615
4. INVERT CHANNEL REQUIRED
5. CONBLOCK CDA RED ADMIXTURE REQUIRED
6. STEPS AT 0 DEGREES
7. HOE MC-350 FRAME & COVER "SANITARY" SUPPLIED BY OTHERS

STRUCTURE SUMMARY:

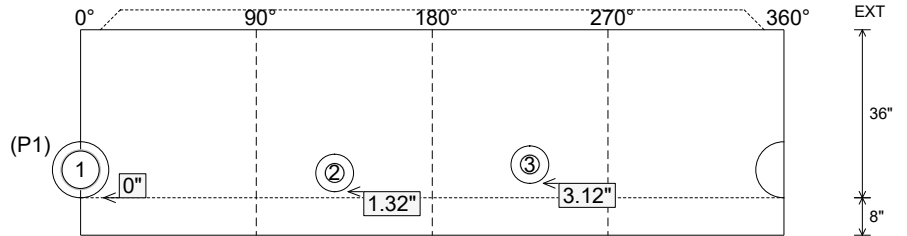
- P3) 24" - CASTING HEIGHT - 7" 0 lb
 - P2) 48" - ECC CONE w/ 24" HOLE, w/ConBlock-CDA Red F/G - 42" 3116 lb
 - P1) 48" - MH BASE w/FLANGE (08F/08EF) w/ConBlock-CDA Red T/n - 36" 5312 lb
 - 1) 48" - MH INVERT CHANNEL w/ConBlock-CDA Red - FULL HEIGHT 1440 lb
 - 1) JOINT WRAP - 12" WD x 048" MAC WRAP 0 lb
 - 1) ADMIXTURE CONBLOCK CDA RED 0 lb
 - 1) 48" - Conseal CS-102 1.00" (Double) 0 lb
 - 1) PSX - 12-08 NYLO 8 lb
 - 2) PSX - 8QRS-S NYLO 13 lb
 - 7) MH Step ML-10-TDS-NCR - 10" 0 lb
- Structure Total: 9889 lb



Position	Elev	Angle	Pipe	Pipe OD	Hole	Connector	Up (")	Ref
Rim	976.9'							
Reducer								
Invert 1	969.87'	0°	8" PVC SDR35	8.5"	12"	PSX 12-08 NYLO	0"	P1
Invert 2	969.98'	130°	4" PVC SDR35	4.25"	8"	PSX 8QRS-S NYLO	1.32"	P1
Invert 3	970.13'	230°	4" PVC SDR35	4.25"	8"	PSX 8QRS-S NYLO	3.12"	P1
Invert 4								
Invert 5								
Invert 6								
Invert 7								
Invert 8								



Cast (Int. Dim.) - Interior Dimensions



Submittal Drawing
 2/5/2026 1:28:39 PM

SUBMITTAL
 APPROVED BY: