

Job Name: 25-2592 - Meadows-Northland Ph 7  
 Job Location: Lexington, KY  
 Contractor: Delmae LLC

Plant: 100

2/5/2026 2:18:00 PM

Tech: J. Horsley - F

PC: T. Lewis



**Structure ID: 231**

**P2 MH048CN42CDARED**

**ECC CONE w/ 24" HOLE, w/ConBlock-CDA Red F/G**

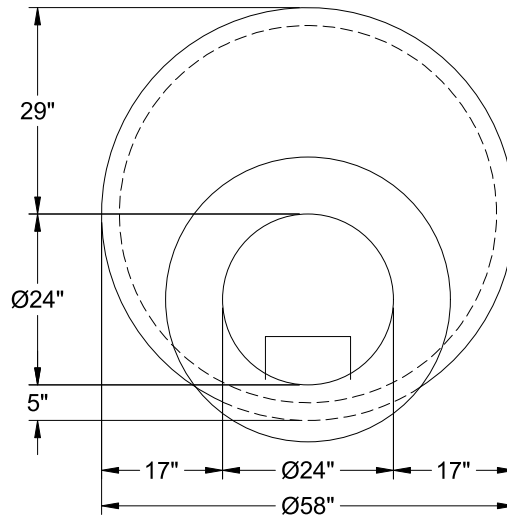
- P3) 24" - CASTING HEIGHT - 7"
- P2) 48" - ECC CONE w/ 24" HOLE, w/ConBlock-CDA Red F/G - 42"
- P1) 48" - MH BASE w/FLANGE (08F/08EF) w/ConBlock-CDA Red T/n - 36"
- 1) 48" - MH INVERT CHANNEL w/ConBlock-CDA Red - FULL HEIGHT
- 1) JOINT WRAP - 12" WD x 048" MAC WRAP
- 1) ADMIXTURE CONBLOCK CDA RED
- 1) 48" - Conseal CS-102 1.00" (Double)
- 1) PSX - 12-08 NYLO
- 2) PSX - 8QRS-S NYLO
- 7) MH Step ML-10-TDS-NCR - 10"

- 0 lb
- 3116 lb
- 5312 lb
- 1440 lb
- 0 lb
- 0 lb
- 0 lb
- 0 lb
- 8 lb
- 13 lb
- 0 lb

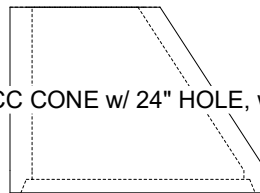
Structure Notes:

1. PER ASTM C-478 SPECIFICATIONS
2. CONCRETE: 4,000 PSI AT 28 DAYS
3. REINFORCEMENT: PER ASTM A615
4. CONBLOCK CDA RED ADMIXTURE REQUIRED
5. STEPS REQUIRED
6. HOE MC-350 FRAME & COVER "SANITARY" SUPPLIED BY OTHERS

Structure Total: 9889 lb



48" - ECC CONE w/ 24" HOLE, w/ConBlock-CDA Red F/G - 42" - (P2)



Coating (Int):  
 Coating (Ext):

Seam Up: Flat  
 Seam Dn: Groove

Wall Thickness: 5"

Height (Ext): 42"

Weight (Net): 3116 lb  
 Volume (Net): 0.8cu.yd