

**Job Name: 25-2592 - Meadows-Northland Ph 7**  
**Job Location: Lexington, KY**  
**Contractor: Delmae LLC**

PC: T. Lewis  
 TECH: J. Horsley - F  
 Plant: 100



Structure ID: 229

Spec: Sanitary  
 Type: SAN.MH w/ConBlock-CDA Red  
 Size: 48"

Rim: 973.53'  
 Invert: 969.02'  
 Rim to Invert: 4.51'

Sump: 2"  
 Floor (Top): 968.853'  
 Floor Height: 8"

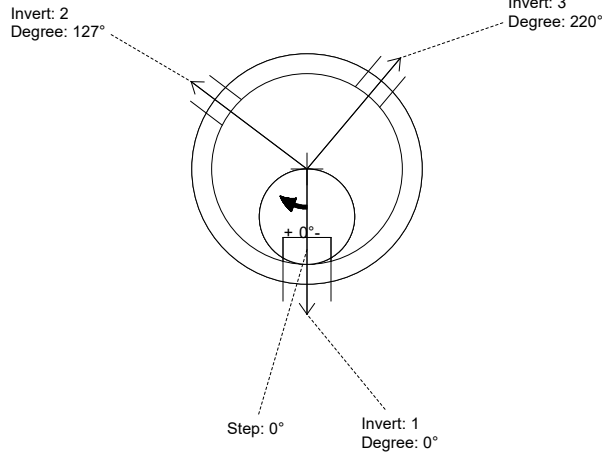
Floor (Bot): 968.187'  
 Overall Height: 5.25'  
 Slack: 1.12"

**Structure Notes:**

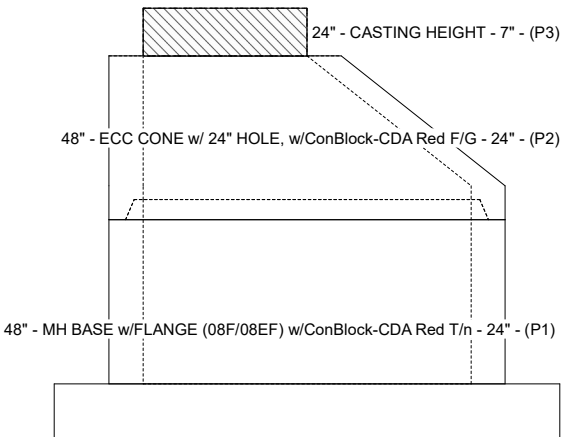
1. PER ASTM C-478 SPECIFICATIONS
2. CONCRETE: 4,000 PSI AT 28 DAYS
3. REINFORCEMENT: PER ASTM A615
4. INVERT CHANNEL REQUIRED
5. CONBLOCK CDA RED ADMIXTURE REQUIRED
6. STEPS AT 0 DEGREES
7. HOE MC-350 FRAME & COVER "SANITARY" SUPPLIED BY OTHERS

**STRUCTURE SUMMARY:**

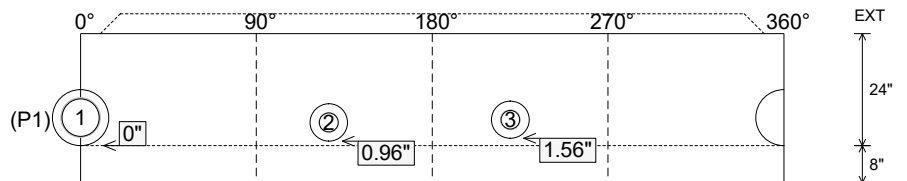
- P3) 24" - CASTING HEIGHT - 7" 0 lb
- P2) 48" - ECC CONE w/ 24" HOLE, w/ConBlock-CDA Red F/G - 24" 1738 lb
- P1) 48" - MH BASE w/FLANGE (08F/08EF) w/ConBlock-CDA Red T/n - 24" 4474 lb
- 1) 48" - MH INVERT CHANNEL w/ConBlock-CDA Red - FULL HEIGHT 1440 lb
- 1) JOINT WRAP - 12" WD x 048" MAC WRAP 0 lb
- 1) ADMIXTURE CONBLOCK CDA RED 0 lb
- 1) 48" - Conseal CS-102 1.00" (Double) 0 lb
- 1) PSX - 12-08 NYLO 8 lb
- 2) PSX - 8QRS-S NYLO 13 lb
- 4) MH Step ML-10-TDS-NCR - 10" 0 lb
- Structure Total: 7673 lb**



Position	Elev	Angle	Pipe	Pipe OD	Hole	Connector	Up (")	Ref
Rim	973.53'							
Reducer								
Invert 1	969.02'	0°	8" PVC SDR35	8.5"	12"	PSX 12-08 NYLO	0"	P1
Invert 2	969.1'	127°	4" PVC SDR35	4.25"	8"	PSX 8QRS-S NYLO	0.96"	P1
Invert 3	969.15'	220°	4" PVC SDR35	4.25"	8"	PSX 8QRS-S NYLO	1.56"	P1
Invert 4								
Invert 5								
Invert 6								
Invert 7								
Invert 8								



**Cast (Int. Dim.) - Interior Dimensions**



Submittal Drawing  
 2/5/2026 1:28:37 PM

SUBMITTAL  
 APPROVED BY: