

Job Name: 25-2592 - Meadows-Northland Ph 7
 Job Location: Lexington, KY
 Contractor: Delmae LLC

Plant: 100

2/5/2026 2:17:15 PM

Tech: J. Horsley - F

PC: T. Lewis



Structure ID: 229

P1 MH048BAEVFCDARED

MH BASE w/FLANGE (08F/08EF) w/ConBlock-CDA Red

- P3) 24" - CASTING HEIGHT - 7" 0 lb
 - P2) 48" - ECC CONE w/ 24" HOLE, w/ConBlock-CDA Red F/G - 24" 1738 lb
 - P1) 48" - MH BASE w/FLANGE (08F/08EF) w/ConBlock-CDA Red T/n - 24" 4474 lb
 - 1) 48" - MH INVERT CHANNEL w/ConBlock-CDA Red - FULL HEIGHT 1440 lb
 - 1) JOINT WRAP - 12" WD x 048" MAC WRAP 0 lb
 - 1) ADMIXTURE CONBLOCK CDA RED 0 lb
 - 1) 48" - Conseal CS-102 1.00" (Double) 0 lb
 - 1) PSX - 12-08 NYLO 8 lb
 - 2) PSX - 8QRS-S NYLO 13 lb
 - 4) MH Step ML-10-TDS-NCR - 10" 0 lb
- Structure Total: 7673 lb

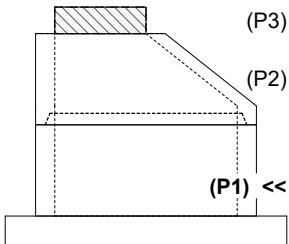
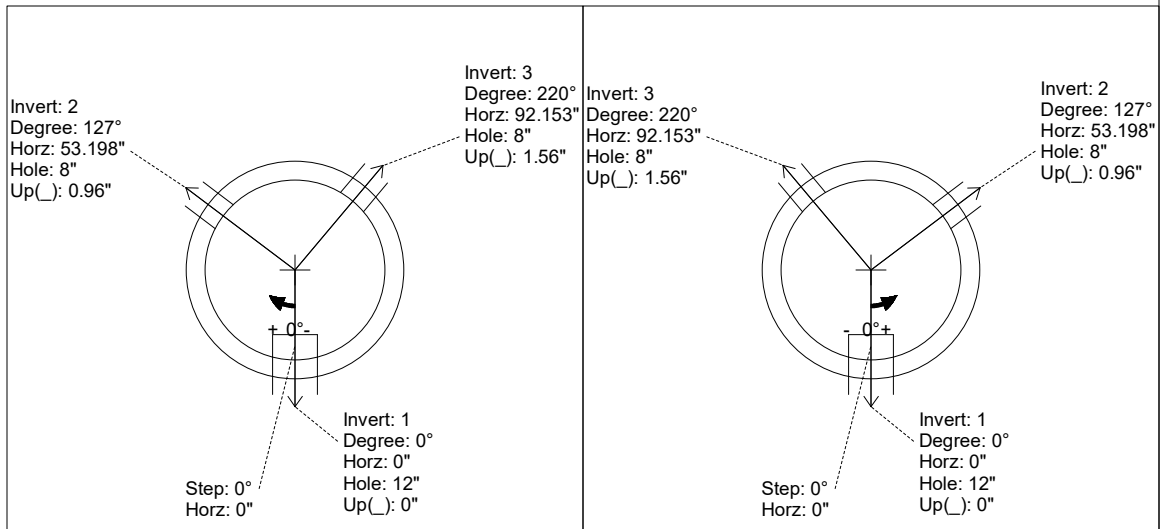
- Structure Notes:**
1. PER ASTM C-478 SPECIFICATIONS
 2. CONCRETE: 4,000 PSI AT 28 DAYS
 3. REINFORCEMENT: PER ASTM A615
 4. INVERT CHANNEL REQUIRED
 5. CONBLOCK CDA RED ADMIXTURE REQUIRED
 6. STEPS AT 0 DEGREES
 7. HOE MC-350 FRAME & COVER "SANITARY" SUPPLIED BY OTHERS

Rim: 973.53' Rim to Invert: 4.51' Slack: 1.12" Sump: 2" Step Position: 0°

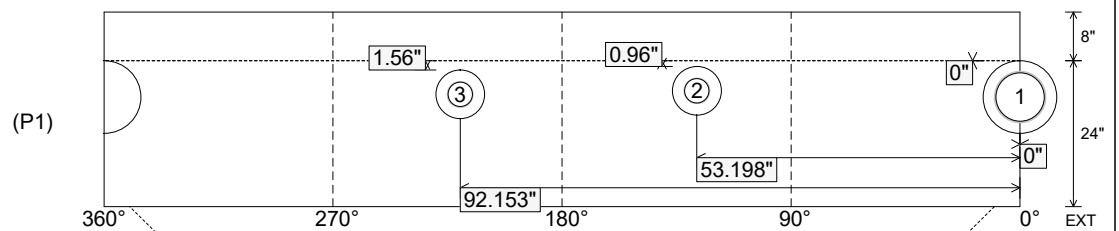
Position	Elev	Angle	Ext. (cw)	Pipe	Pipe OD	Connector	Hole	Horz Size	Up ()	Offset
Invert 1	969.02'	0°	0"	8" PVC SDR35	8.5"	PSX 12-08 NYLO	12"	12.129"	0"	0"
Invert 2	969.1'	127°	64.28"	4" PVC SDR35	4.25"	PSX 8QRS-S NYLO	8"	8.038"	0.96"	0"
Invert 3	969.15'	220°	111.352"	4" PVC SDR35	4.25"	PSX 8QRS-S NYLO	8"	8.038"	1.56"	0"
Invert 4										
Invert 5										
Invert 6										
Invert 7										
Invert 8										

RIGHT-SIDE UP VIEW (int. dimensions)

UPSIDE-DOWN VIEW (int. dimensions)



INSIDE WALL DIMENSIONS



Coating (Int): Coating (Ext):	Seam Up: Tongue Seam Dn: n/a	Wall Thickness: 5" Floor Height: 8"	Height (Int): 24" Height (Ext): 32"	Weight (Net): 4474 lb Volume (Net): 1.14cu.yd
----------------------------------	---------------------------------	--	--	--

Job Name: 25-2592 - Meadows-Northland Ph 7
 Job Location: Lexington, KY
 Contractor: Delmae LLC

Plant: 100

2/5/2026 2:17:15 PM

Tech: J. Horsley - F

PC: T. Lewis



Structure ID: 229

P1 MH048BAEVFCDARED

MH BASE w/FLANGE (08F/08EF) w/ConBlock-CDA Red

- P3) 24" - CASTING HEIGHT - 7"
- P2) 48" - ECC CONE w/ 24" HOLE, w/ConBlock-CDA Red F/G - 24"
- P1) 48" - MH BASE w/FLANGE (08F/08EF) w/ConBlock-CDA Red T/n - 24"
- 1) 48" - MH INVERT CHANNEL w/ConBlock-CDA Red - FULL HEIGHT
- 1) JOINT WRAP - 12" WD x 048" MAC WRAP
- 1) ADMIXTURE CONBLOCK CDA RED
- 1) 48" - Conseal CS-102 1.00" (Double)
- 1) PSX - 12-08 NYLO
- 2) PSX - 8QRS-S NYLO
- 4) MH Step ML-10-TDS-NCR - 10"

0 lb
 1738 lb
 4474 lb
 1440 lb
 0 lb
 0 lb
 0 lb
 8 lb
 13 lb
 0 lb

Structure Total: 7673 lb

Structure Notes:

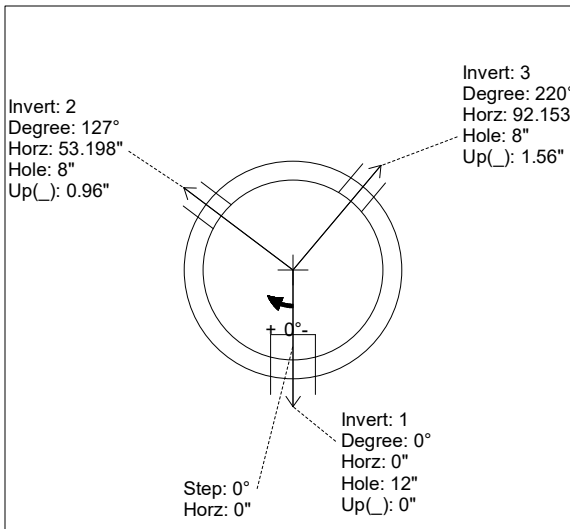
1. PER ASTM C-478 SPECIFICATIONS
2. CONCRETE: 4,000 PSI AT 28 DAYS
3. REINFORCEMENT: PER ASTM A615
4. INVERT CHANNEL REQUIRED
5. CONBLOCK CDA RED ADMIXTURE REQUIRED
6. STEPS AT 0 DEGREES
7. HOE MC-350 FRAME & COVER "SANITARY" SUPPLIED BY OTHERS

Rim: 973.53' Rim to Invert: 4.51' Slack: 1.12" Sump: 2" Step Position: 0°

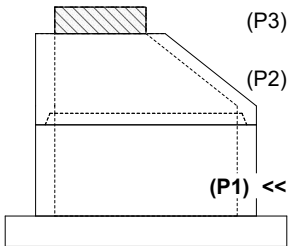
Position	Elev	Angle	Ext. (cw)	Pipe	Pipe OD	Connector	Hole	Horz Size	Up ()	Offset
Invert 1	969.02'	0°	0"	8" PVC SDR35	8.5"	PSX 12-08 NYLO	12"	12.129"	0"	0"
Invert 2	969.1'	127°	64.28"	4" PVC SDR35	4.25"	PSX 8QRS-S NYLO	8"	8.038"	0.96"	0"
Invert 3	969.15'	220°	111.352"	4" PVC SDR35	4.25"	PSX 8QRS-S NYLO	8"	8.038"	1.56"	0"
Invert 4										
Invert 5										
Invert 6										
Invert 7										
Invert 8										

RIGHT-SIDE UP VIEW (int. dimensions)

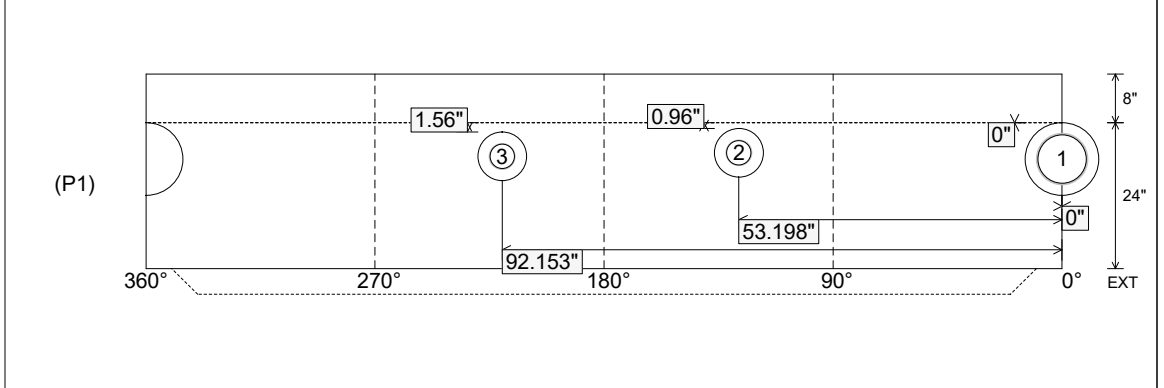
UPSIDE-DOWN VIEW (int. dimensions)



INVERT CHANNEL DRAWING



INSIDE WALL DIMENSIONS



Coating (Int): Coating (Ext):	Seam Up: Tongue Seam Dn: n/a	Wall Thickness: 5" Floor Height: 8"	Height (Int): 24" Height (Ext): 32"	Weight (Net): 4474 lb Volume (Net): 1.14cu.yd
----------------------------------	---------------------------------	--	--	--