

Job Name: 25-2559 Gateway Commons East
Job Location: Owensboro, KY
Contractor: Winwater Hartford KY Co.

PC: A. Chambers
 TECH: J. Horsley
 Plant: Beaver Dam



Structure ID: F3 (SAMH 48in)
 Spec: Sanitary
 Type: SAN.MH
 Size: 48"

Rim: 474.34'
 Invert: 466.86'
 Rim to Invert: 7.48'

Sump: 2"
 Floor (Top): 466.693'
 Floor Height: 6"

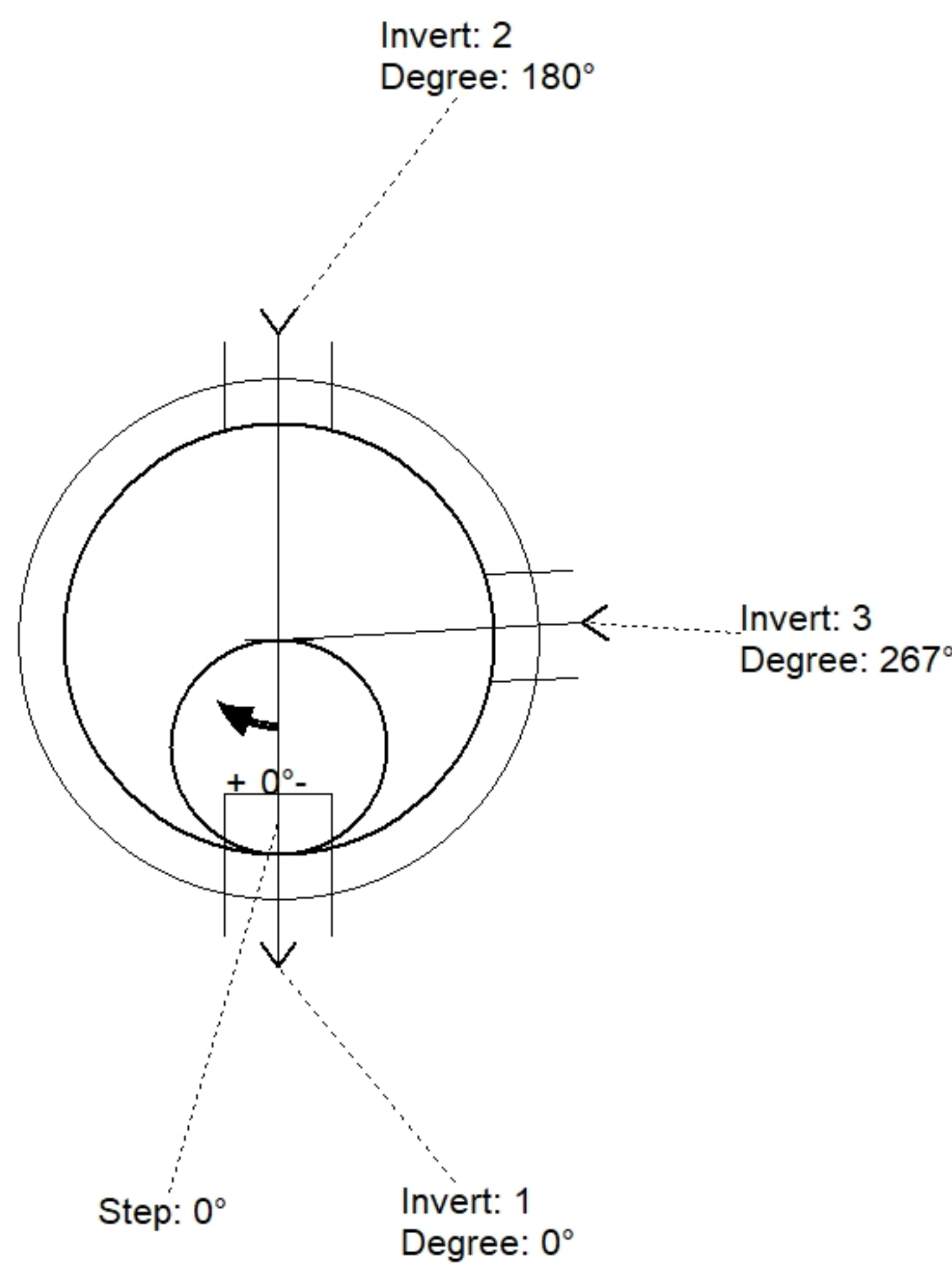
Overall Height: 8.083'
 Slack: 0.76"

Structure Notes:

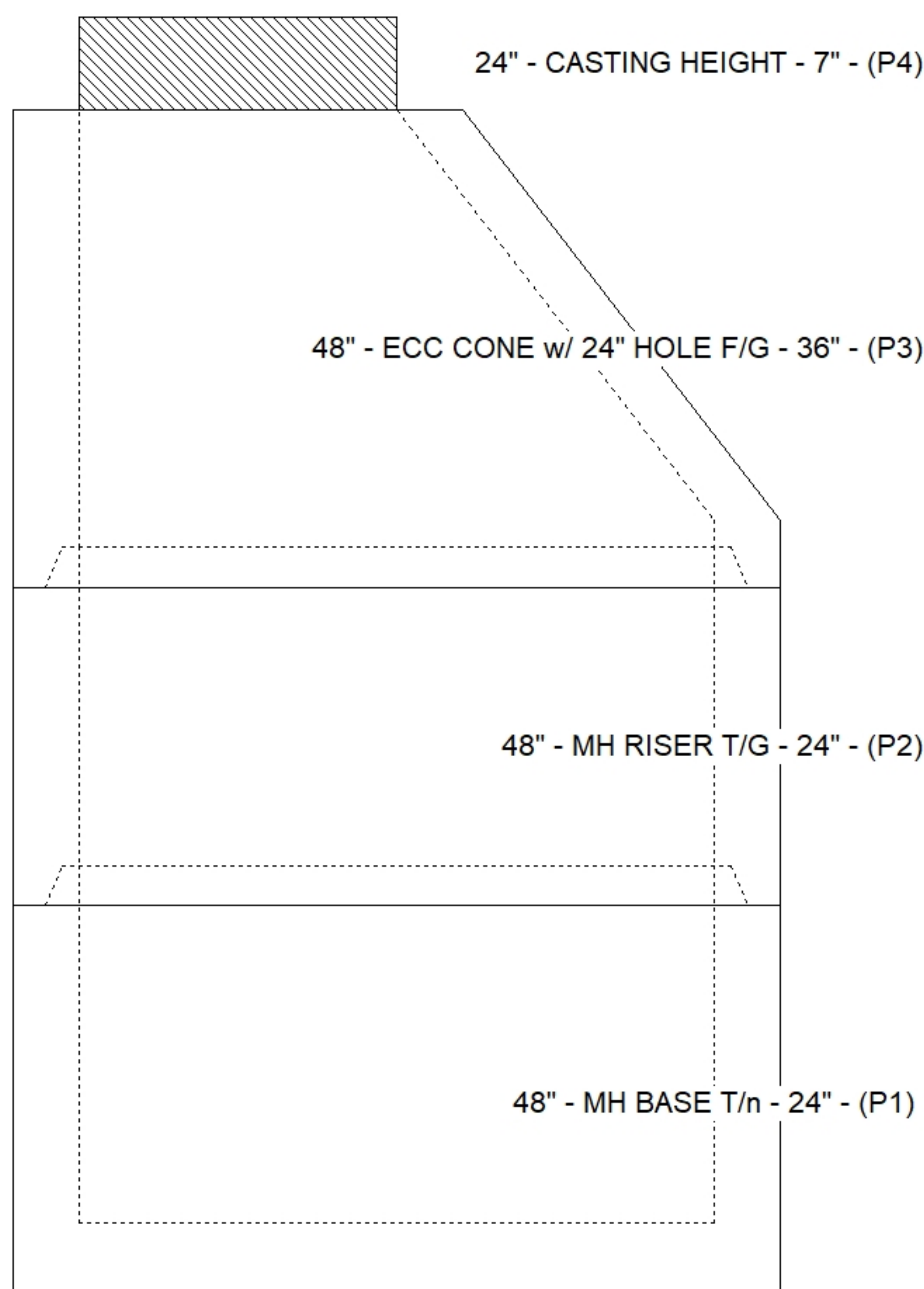
- PER ASTM C478 SPECIFICATIONS.
- CONCRETE = 4,000 PSI AT 28 DAYS.
- REINFORCING PER ASTM A615 (GRADE 60).
 - CONE (As .12)
 - RISER/WALLS (As .12)
 - FLOOR (As .31) #5 BARS AT 12" C.C.E.W.

STRUCTURE SUMMARY:

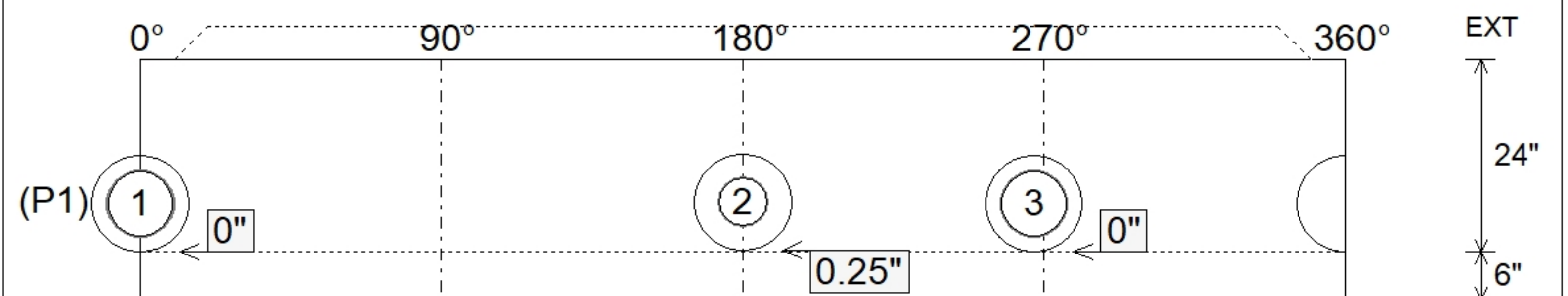
P4) 24" - CASTING HEIGHT - 7"	0 lb
P3) 48" - ECC CONE w/ 24" HOLE F/G - 36"	3000 lb
P2) 48" - MH RISER T/G - 24"	1677 lb
P1) 48" - MH BASE T/n - 24"	2863 lb
1) 48" - MH INVERT CHANNEL - FULL HEIGHT	1440 lb
1) JOINT WRAP - 0.065"x6"x50' CONSEAL CS212	0 lb
1) JOINT WRAP PRIMER - CONSEAL CS-75 (1 gal.)	0 lb
1) CASTING - HOE MC-315 F/C Sanitary	258 lb
2) 48" - Conseal CS-102 1.00" (Double)	0 lb
2) PSX - 12-08 NYLO	16 lb
1) PSX - 12-06 DD	8 lb
6) MH Step ML-10-TDS-NCR - 10"	0 lb
Structure Total:	9262 lb



Position	Elev	Angle	Ext. (cw)	Pipe	Hole	Connector	Up ()	Ref
Rim	474.34'							
Reducer								
Invert 1	466.86'	0°	0"	8" PVC SDR35	12"	PSX 12-08 NYLO	0"	P1
Invert 2	466.96'	180°	91.125"	6" PVC SDR35	12"	PSX 12-06 DD	0.25"	P1
Invert 3	466.86'	267°	135.125"	8" PVC SDR35	12"	PSX 12-08 NYLO	0"	P1
Invert 4								
Invert 5								
Invert 6								
Invert 7								
Invert 8								



Cast (Int. Dim.) - Interior Dimensions



Submittal Drawing
 6/18/2025 5:27:19 PM

SUBMITTAL
 APPROVED BY: