

**Structure ID: F3 (SAMH 48in)**

**P2 MH048RS24**

**MH RISER T/G**

|  |  |
|--|--|
| P4) 24" - CASTING HEIGHT - 7"<br>P3) 48" - ECC CONE w/ 24" HOLE F/G - 36"<br>P2) 48" - MH RISER T/G - 24"<br>P1) 48" - MH BASE T/n - 24"<br>1) 48" - MH INVERT CHANNEL - FULL HEIGHT<br>1) JOINT WRAP - 0.065"x6"x50' CONSEAL CS212<br>1) JOINT WRAP PRIMER - CONSEAL CS-75 (1 gal.)<br>1) CASTING - HOE MC-315 F/C Sanitary<br>2) 48" - Conseal CS-102 1.00" (Double)<br>2) PSX - 12-08 NYLO<br>1) PSX - 12-06 DD<br>6) MH Step ML-10-TDS-NCR - 10" | 0 lb<br>3000 lb<br>1677 lb<br>2863 lb<br>1440 lb<br>0 lb<br>0 lb<br>258 lb<br>0 lb<br>16 lb<br>8 lb<br>0 lb<br><hr style="width: 50px; margin-left: auto; margin-right: 0;"/> Structure Total: 9262 lb |
|--|--|

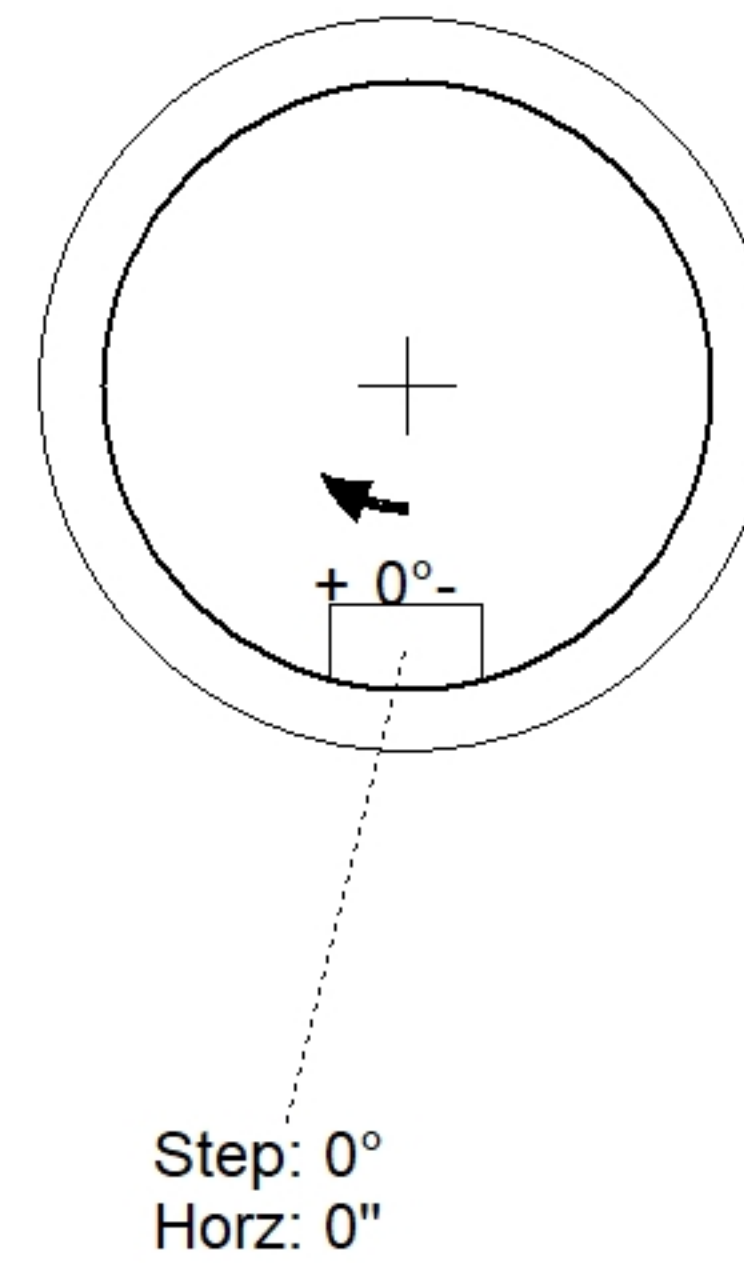
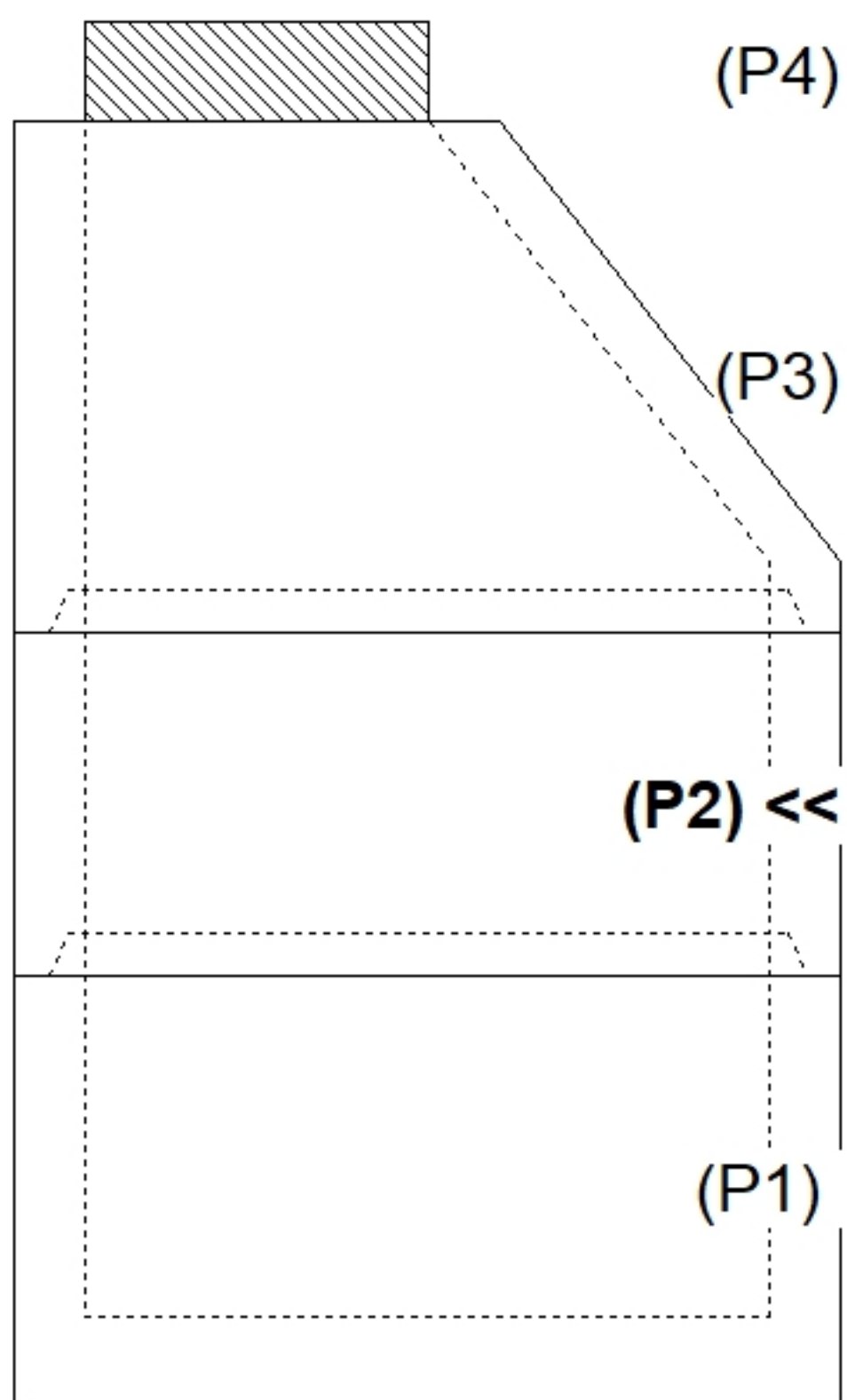
**Structure Notes:**

1. PER ASTM C478 SPECIFICATIONS.
2. CONCRETE = 4,000 PSI AT 28 DAYS.
3. REINFORCING PER ASTM A615 (GRADE 60).  
 - CONE (As .12)  
 - RISER/WALLS (As .12)  
 - FLOOR (As .31) #5 BARS AT 12" C.C.E.W.

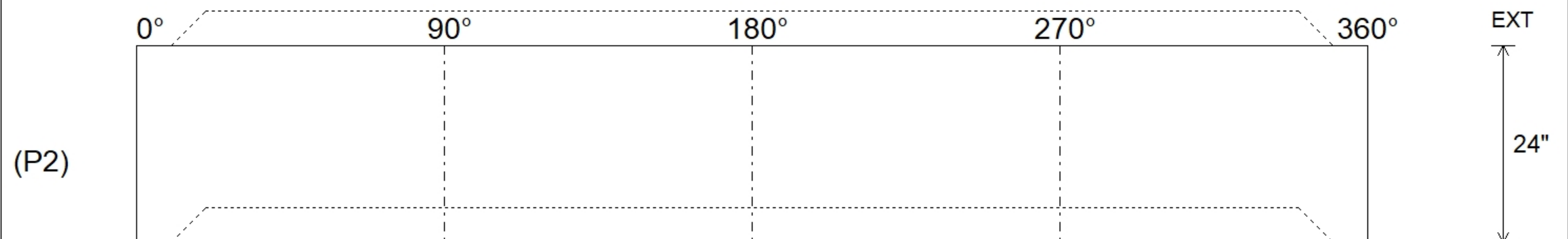
Rim: 474.34'    Rim to Invert: 7.48'    Slack: 0.76"    Sump: 2"    Step Position: 0°

| Position | Elev | Angle | Ext. (cw) | Pipe | Pipe OD | Connector | Hole | Horz Size | Up (L) | Offset |
|----------|------|-------|-----------|------|---------|-----------|------|-----------|--------|--------|
| Invert 1 |      |       |           |      |         |           |      |           |        |        |
| Invert 2 |      |       |           |      |         |           |      |           |        |        |
| Invert 3 |      |       |           |      |         |           |      |           |        |        |
| Invert 4 |      |       |           |      |         |           |      |           |        |        |
| Invert 5 |      |       |           |      |         |           |      |           |        |        |
| Invert 6 |      |       |           |      |         |           |      |           |        |        |
| Invert 7 |      |       |           |      |         |           |      |           |        |        |
| Invert 8 |      |       |           |      |         |           |      |           |        |        |

**RIGHT-SIDE UP VIEW (int. dimensions)**



**INSIDE WALL DIMENSIONS**



|                |                                    |  |  |
|----------------|------------------------------------|--|--|
| Coating (Int): | Seam Up: Tongue<br>Seam Dn: Groove | Wall Thickness: 5"<br>Floor Height: 0" | Height (Int): 24"<br>Height (Ext): 24"           |
| Coating (Ext): |                                    |  | Weight (Net): 1677 lb<br>Volume (Net): 0.43cu.yd |