

**Structure ID: F3 (SAMH 48in)**

**P1 MH048BA24**

**MH BASE T/n**

P4) 24" - CASTING HEIGHT - 7" P3) 48" - ECC CONE w/ 24" HOLE F/G - 36" P2) 48" - MH RISER T/G - 24" P1) 48" - MH BASE T/n - 24" 1) 48" - MH INVERT CHANNEL - FULL HEIGHT 1) JOINT WRAP - 0.065"x6"x50' CONSEAL CS212 1) JOINT WRAP PRIMER - CONSEAL CS-75 (1 gal.) 1) CASTING - HOE MC-315 F/C Sanitary 2) 48" - Conseal CS-102 1.00" (Double) 2) PSX - 12-08 NYLO 1) PSX - 12-06 DD 6) MH Step ML-10-TDS-NCR - 10"	0 lb 3000 lb 1677 lb 2863 lb 1440 lb 0 lb 0 lb 258 lb 0 lb 16 lb 8 lb 0 lb <hr style="width: 50px; margin-left: 0;"/> Structure Total: 9262 lb
--	--

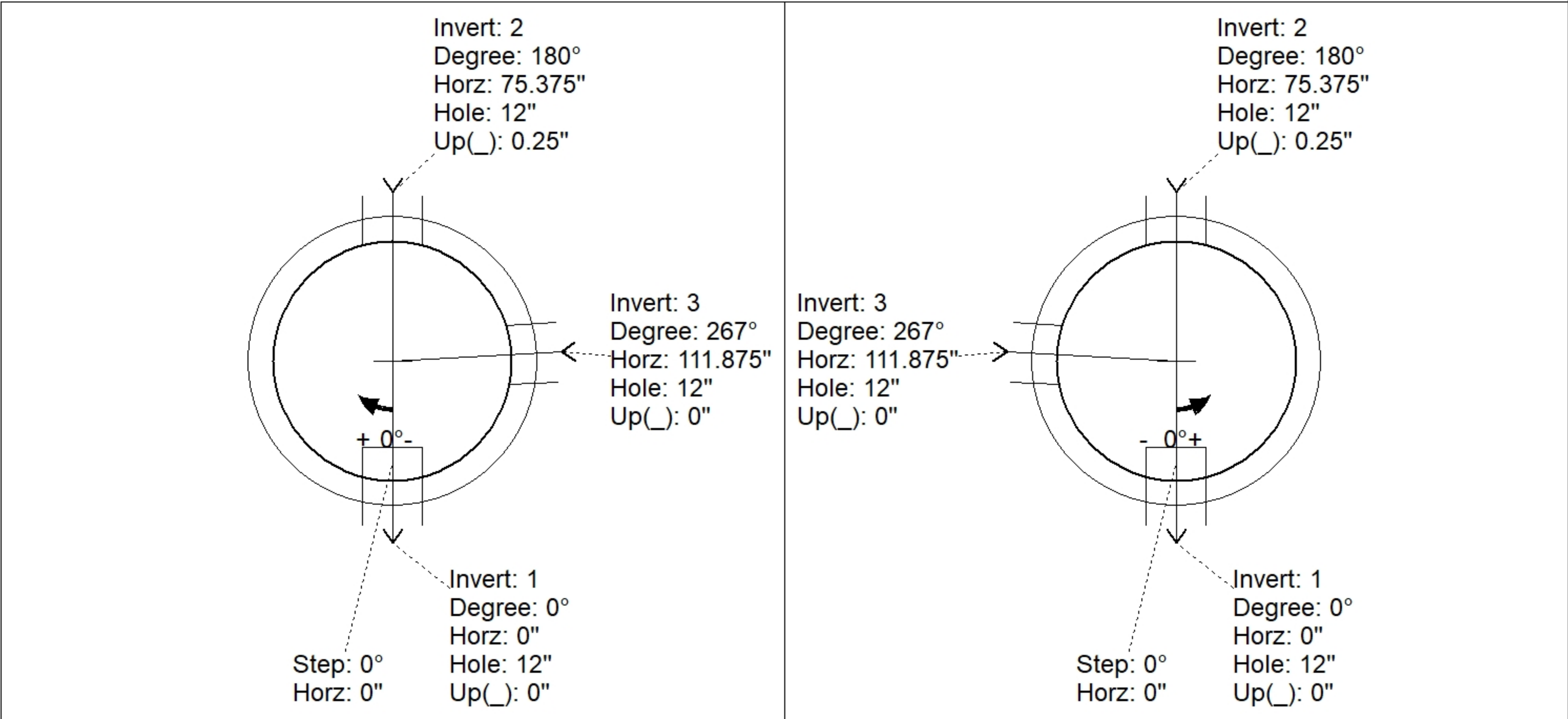
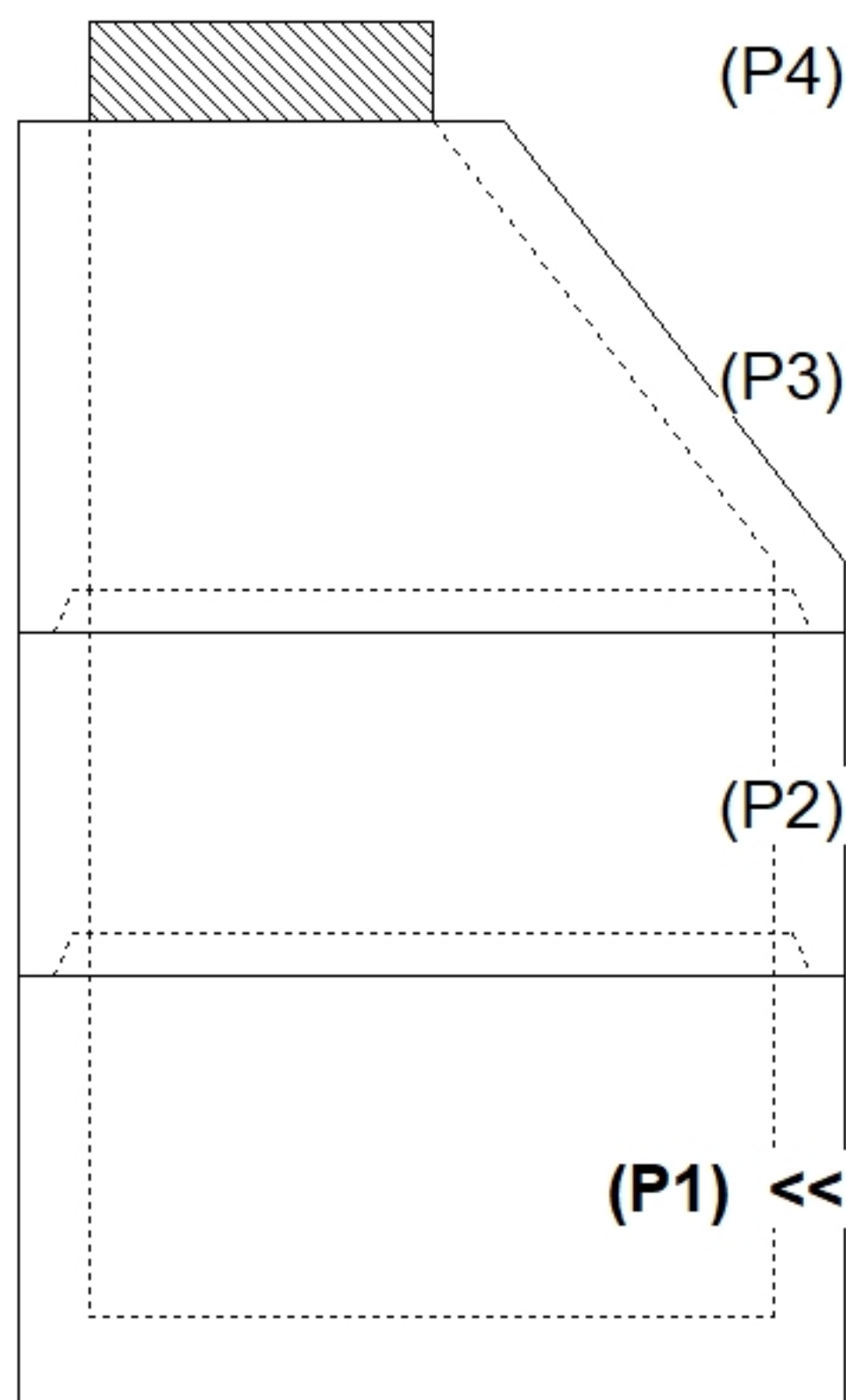
**Structure Notes:**  
 1. PER ASTM C478 SPECIFICATIONS.  
 2. CONCRETE = 4,000 PSI AT 28 DAYS.  
 3. REINFORCING PER ASTM A615 (GRADE 60).  
 - CONE (As .12)  
 - RISER/WALLS (As .12)  
 - FLOOR (As .31) #5 BARS AT 12" C.C.E.W.

Rim: 474.34'    Rim to Invert: 7.48'    Slack: 0.76"    Sump: 2"    Step Position: 0°

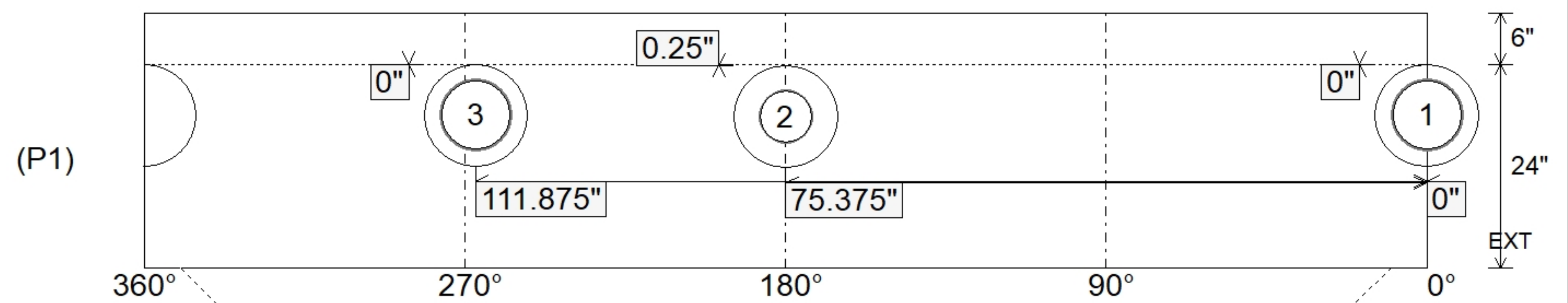
Position	Elev	Angle	Ext. (cw)	Pipe	Pipe OD	Connector	Hole	Horz Size	Up ( )	Offset
Invert 1	466.86'	0°	0"	8" PVC SDR35	8.5"	PSX 12-08 NYLO	12"	12.129"	0"	0"
Invert 2	466.96'	180°	91.125"	6" PVC SDR35	6.25"	PSX 12-06 DD	12"	12.129"	0.25"	0"
Invert 3	466.86'	267°	135.125"	8" PVC SDR35	8.5"	PSX 12-08 NYLO	12"	12.129"	0"	0"
Invert 4										
Invert 5										
Invert 6										
Invert 7										
Invert 8										

RIGHT-SIDE UP VIEW (int. dimensions)

UPSIDE-DOWN VIEW (int. dimensions)



INSIDE WALL DIMENSIONS



Coating (Int):	Seam Up: Tongue	Wall Thickness: 5"	Height (Int): 24"
Coating (Ext):	Seam Dn: n/a	Floor Height: 6"	Height (Ext): 30"
		Weight (Net): 2863 lb	
		Volume (Net): 0.73cu.yd	