

Job Name: 25-2541 WARTRACE CREEK INTERCEPTOR
Job Location: Springfield, TN
Contractor: Cumberland Pipeline LLC

PC: E. Bradley
 TECH: C. Russ
 Plant: Beaver Dam



Structure ID: SF-82

Spec: Sanitary
 Type: SAN.MH w/Xypex
 Size: 48"

Rim: 558.23'
 Invert: 550'
 Rim to Invert: 8.23'

Sump: 2"
 Floor (Top): 549.833'
 Floor Height: 6"

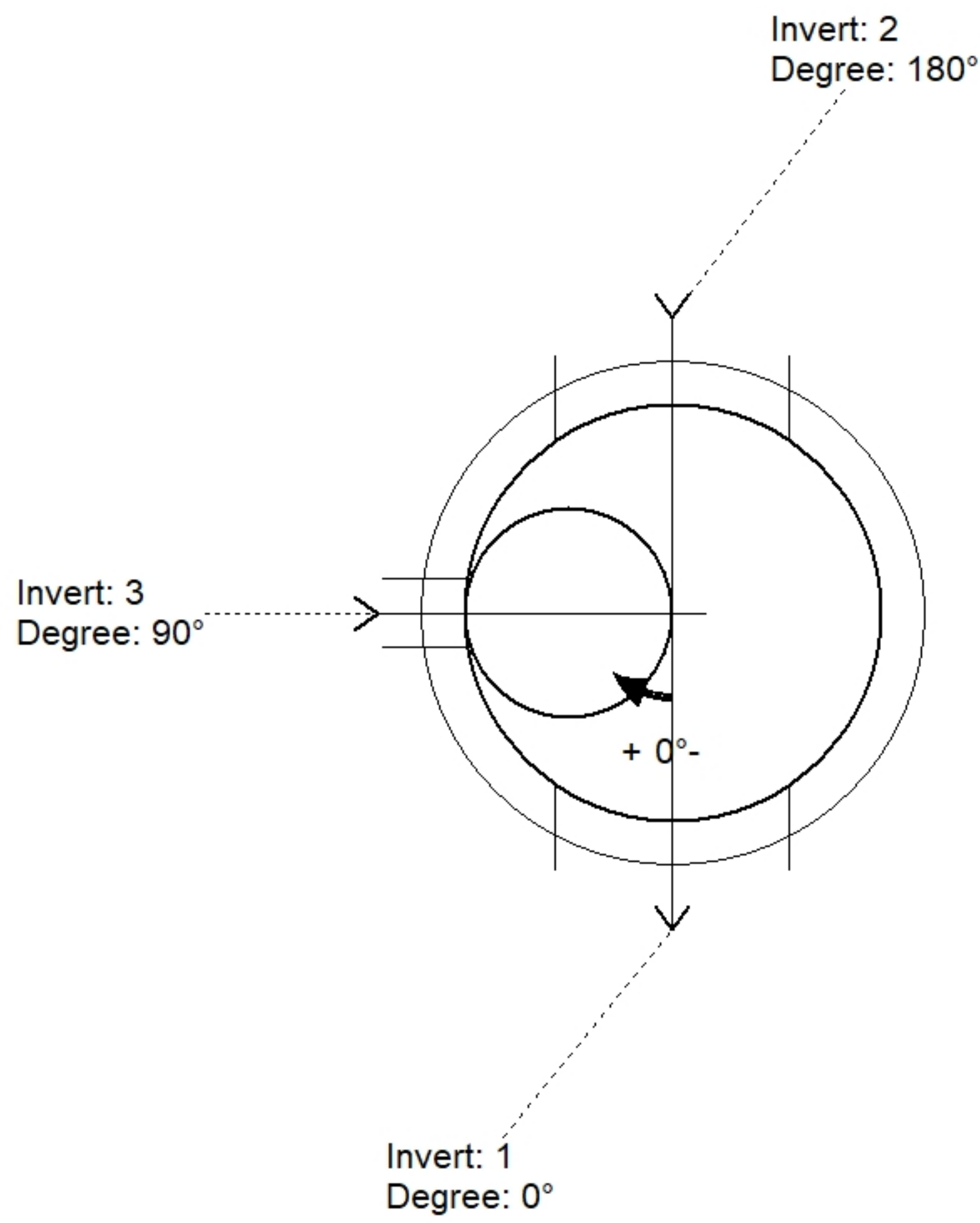
Floor (Bot): 549.333'
 Overall Height: 8.875'
 Slack: 0.26"

Structure Notes:

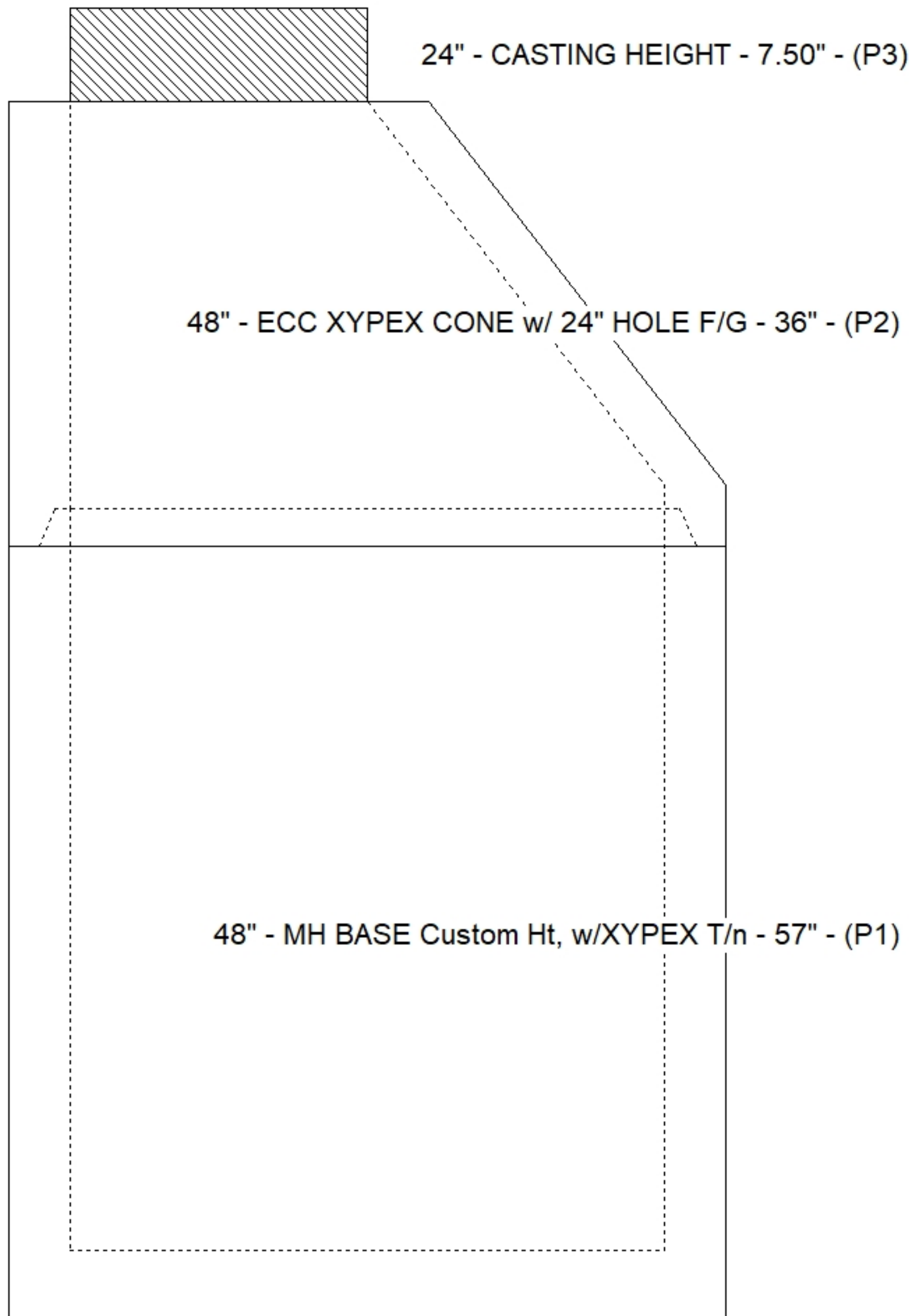
- PER ASTM C478 SPECIFICATIONS.
 - CONCRETE = 4,000 PSI AT 28 DAYS.
 - JBS 1123 WT "SANITARY" PROVIDED BY ICAST
 - NO STEPS
- REINFORCING PER ASTM A615 (GRADE 60).
- CONE (As .12)
 - RISER (As .12)
 - FLOOR (As .31) #5 BARS AT 12" C.C.E.W.

STRUCTURE SUMMARY:

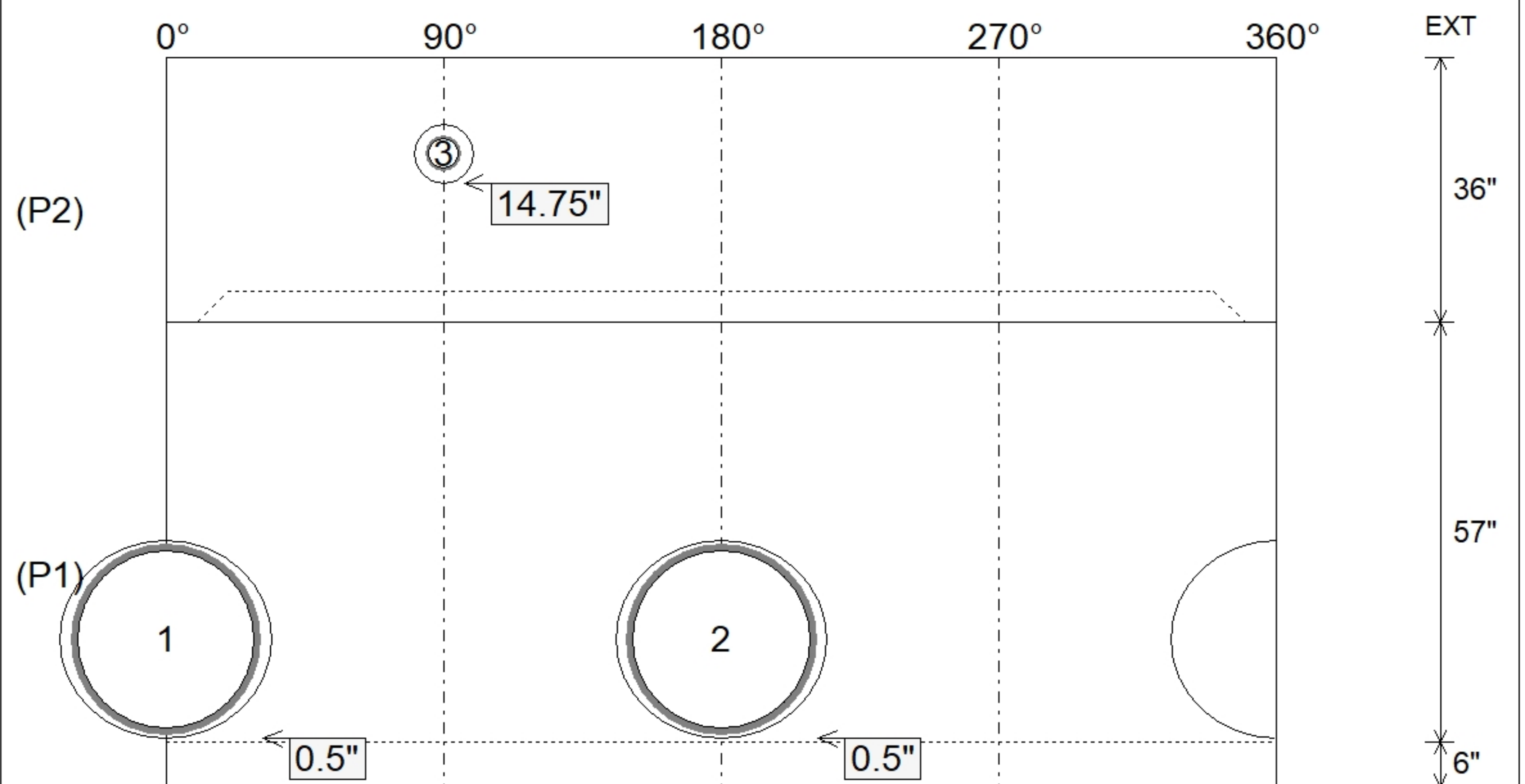
P3) 24" - CASTING HEIGHT - 7.50"	0 lb
P2) 48" - ECC XYPEX CONE w/ 24" HOLE F/G - 36"	2230 lb
P1) 48" - MH BASE Custom Ht, w/XYPEX T/n - 57"	4807 lb
1) 48" - MH INVERT CHANNEL w/XYPEX - FULL HEIGHT	1440 lb
1) JOINT WRAP - 0.065"x6"x50' CONSEAL CS212	0 lb
1) JOINT WRAP PRIMER - CONSEAL CS-75 (1 gal.)	0 lb
1) 48" - DBL 1"x14.5' Butyl (2x)	0 lb
2) A-Lok - 0820	2 lb
1) PSX - 8QRS-S NYLO	6 lb
Structure Total:	8486 lb



Position	Elev	Angle	Pipe	Pipe OD	Hole	Connector	Up (")	Ref
Rim	558.23'							
Reducer								
Invert 1	550'	0°	24" DI	25.75"	27"	A-Lok 0820	0.5"	P1
Invert 2	550'	180°	24" DI	25.75"	27"	A-Lok 0820	0.5"	P1
Invert 3	556.33'	90°	4" DI	4.75"	8"	PSX 8QRS-S NYLO	14.75"	P2
Invert 4								
Invert 5								
Invert 6								
Invert 7								
Invert 8								



Cast (Int. Dim.) - Interior Dimensions



Submittal Drawing
 10/15/2025 7:09:19 PM

SUBMITTAL
 APPROVED BY: