

Job Name: 25-2541 WARTRACE CREEK INTERCEPTOR
Job Location: Springfield, TN
Contractor: Cumberland Pipeline LLC

PC: E. Bradley
 TECH: C. Russ
 Plant: Beaver Dam



Structure ID: **SF-81**
 Spec: Sanitary
 Type: SAN.MH w/Xypex
 Size: 48"

Rim: 558.62'
 Invert: 549.1'
 Rim to Invert: 9.52'

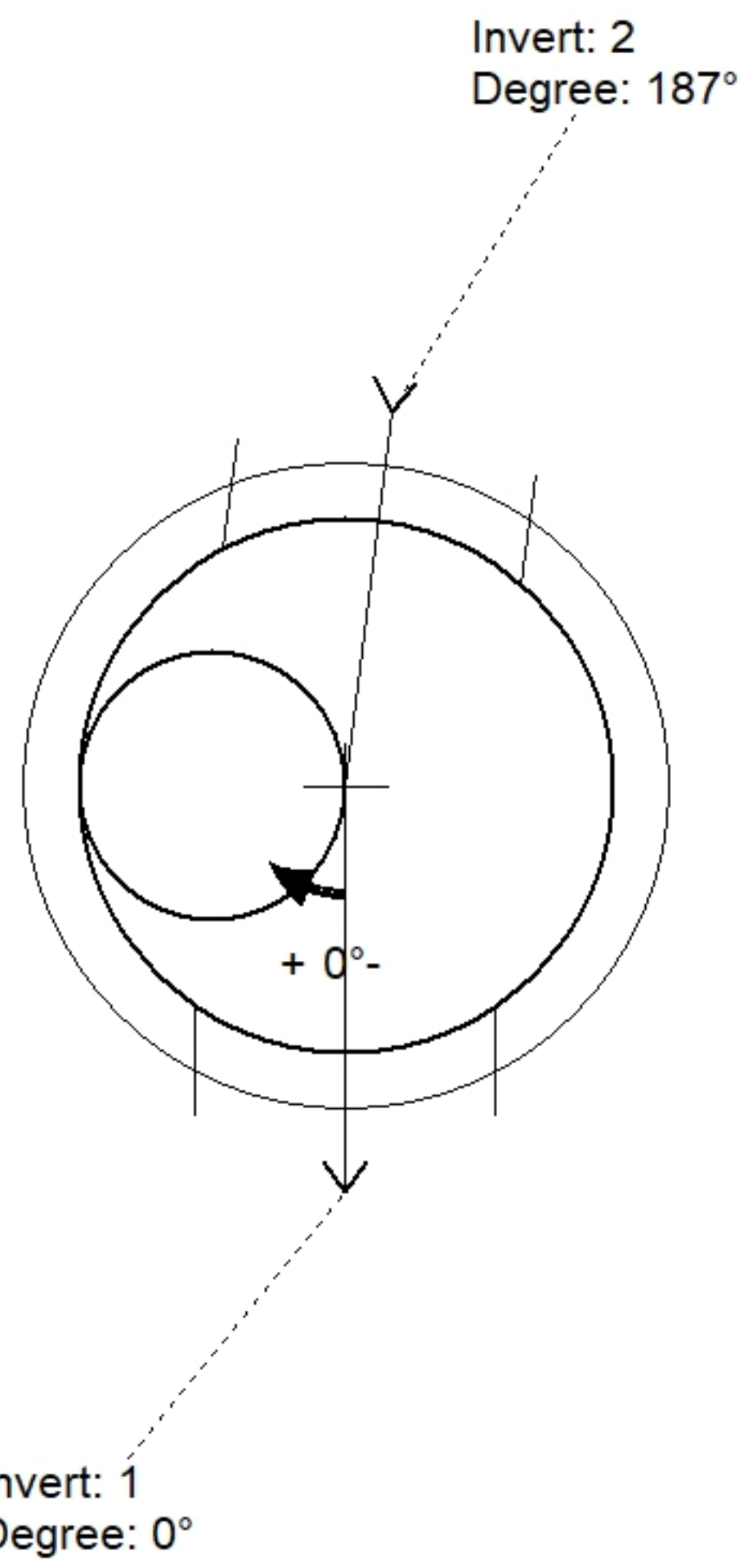
Sump: 2"
 Floor (Top): 548.933'
 Floor Height: 6"

Floor (Bot): 548.433'
 Overall Height: 10.125'
 Slack: 0.74"

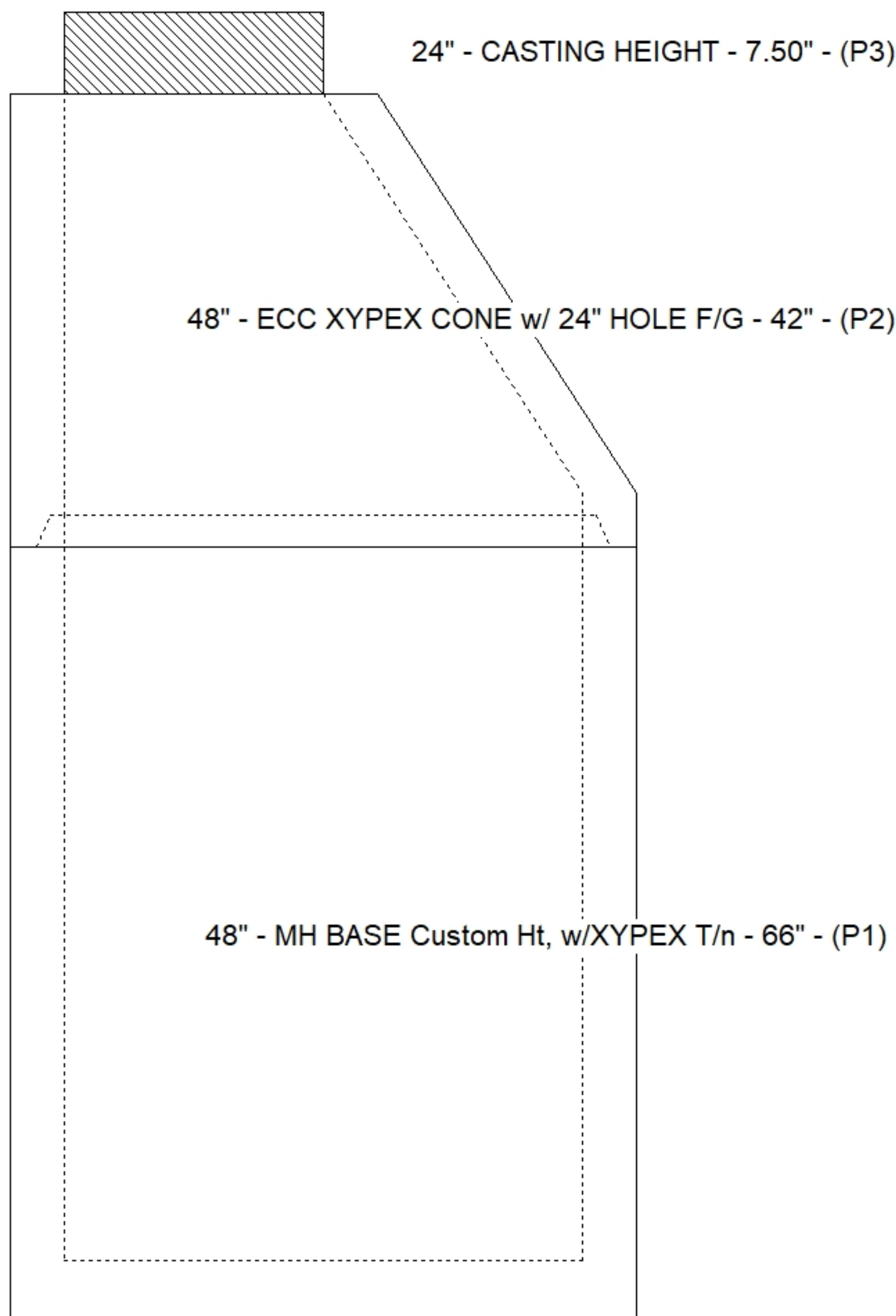
Structure Notes:
 1. PER ASTM C478 SPECIFICATIONS.
 2. CONCRETE = 4,000 PSI AT 28 DAYS.
 3. JBS 1123 WT "SANITARY" PROVIDED BY ICAST
 4. NO STEPS
 REINFORCING PER ASTM A615 (GRADE 60).
 - CONE (As .12)
 - RISER (As .12)
 - FLOOR (As .31) #5 BARS AT 12" C.C.E.W.

STRUCTURE SUMMARY:

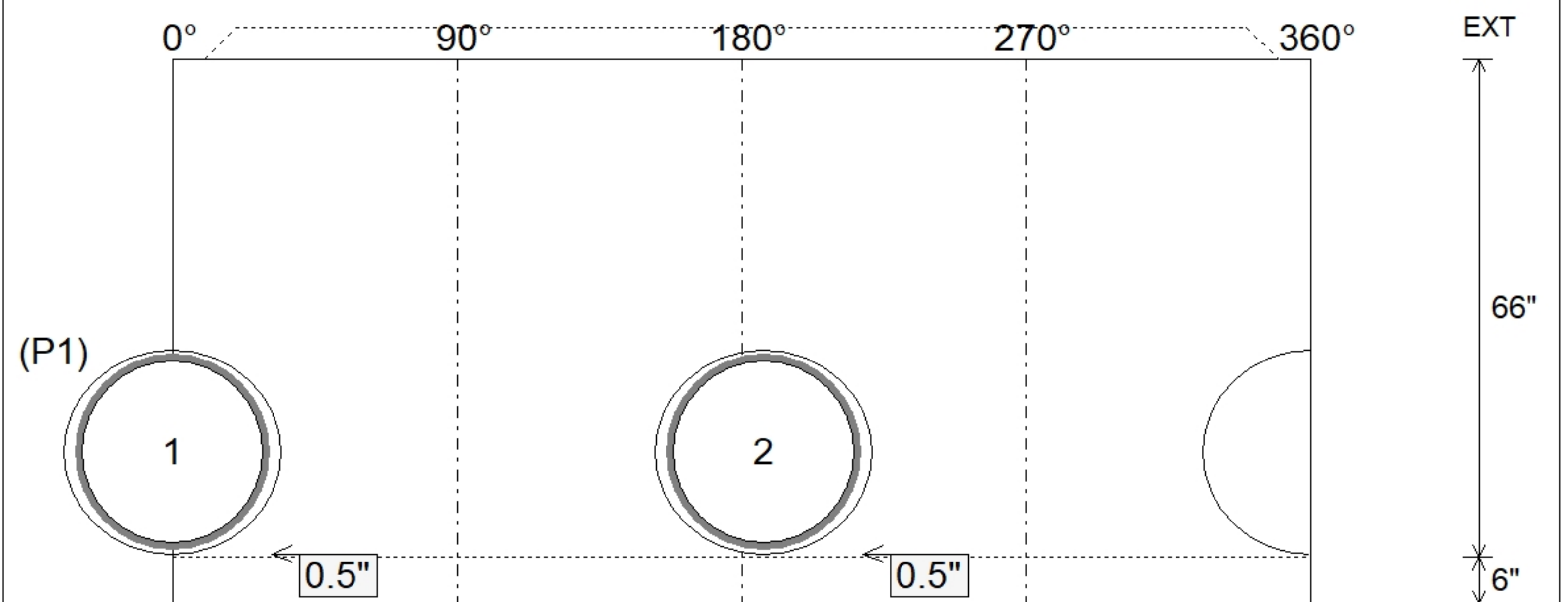
P3) 24" - CASTING HEIGHT - 7.50"	0 lb
P2) 48" - ECC XYPEX CONE w/ 24" HOLE F/G - 42"	3116 lb
P1) 48" - MH BASE Custom Ht, w/XYPEX T/n - 66"	5436 lb
1) 48" - MH INVERT CHANNEL w/XYPEX - FULL HEIGHT	1440 lb
1) JOINT WRAP - 0.065"x6"x50' CONSEAL CS212	0 lb
1) JOINT WRAP PRIMER - CONSEAL CS-75 (1 gal.)	0 lb
1) 48" - DBL 1"x14.5' Butyl (2x)	0 lb
2) A-Lok - 0820	2 lb
Structure Total:	9994 lb



Position	Elev	Angle	Pipe	Pipe OD	Hole	Connector	Up (")	Ref
Rim	558.62'							
Reducer								
Invert 1	549.1'	0°	24" DI	25.75"	27"	A-Lok 0820	0.5"	P1
Invert 2	549.1'	187°	24" DI	25.75"	27"	A-Lok 0820	0.5"	P1
Invert 3								
Invert 4								
Invert 5								
Invert 6								
Invert 7								
Invert 8								



Cast (Int. Dim.) - Interior Dimensions



Submittal Drawing
 10/15/2025 7:09:17 PM

SUBMITTAL
 APPROVED BY: