

Structure ID: SF-81

P1 MH048BAVFX

MH BASE Custom Ht, w/YYPEX T/n

P3) 24" - CASTING HEIGHT - 7.50" P2) 48" - ECC XYPEX CONE w/ 24" HOLE F/G - 42" P1) 48" - MH BASE Custom Ht, w/YYPEX T/n - 66" 1) 48" - MH INVERT CHANNEL w/YYPEX - FULL HEIGHT 1) JOINT WRAP - 0.065"x6"x50' CONSEAL CS212 1) JOINT WRAP PRIMER - CONSEAL CS-75 (1 gal.) 1) 48" - DBL 1"x14.5' Butyl (2x) 2) A-Lok - 0820	0 lb 3116 lb 5436 lb 1440 lb 0 lb 0 lb 0 lb 0 lb 2 lb <hr style="width: 50px; margin-left: 0;"/> Structure Total: 9994 lb
---	--

Structure Notes:

1. PER ASTM C478 SPECIFICATIONS.
2. CONCRETE = 4,000 PSI AT 28 DAYS.
3. JBS 1123 WT "SANITARY" PROVIDED BY ICAST
4. NO STEPS

REINFORCING PER ASTM A615 (GRADE 60).

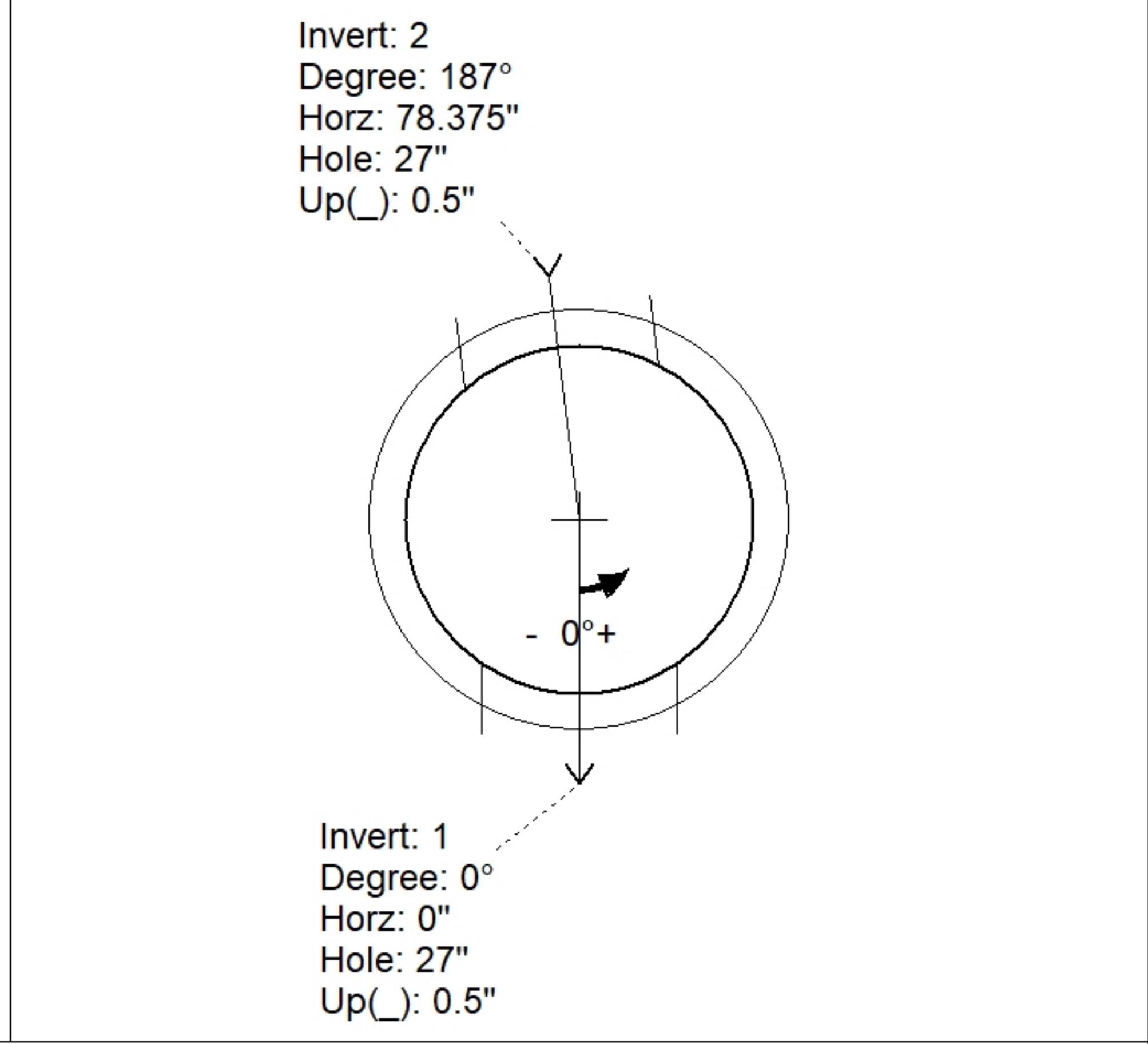
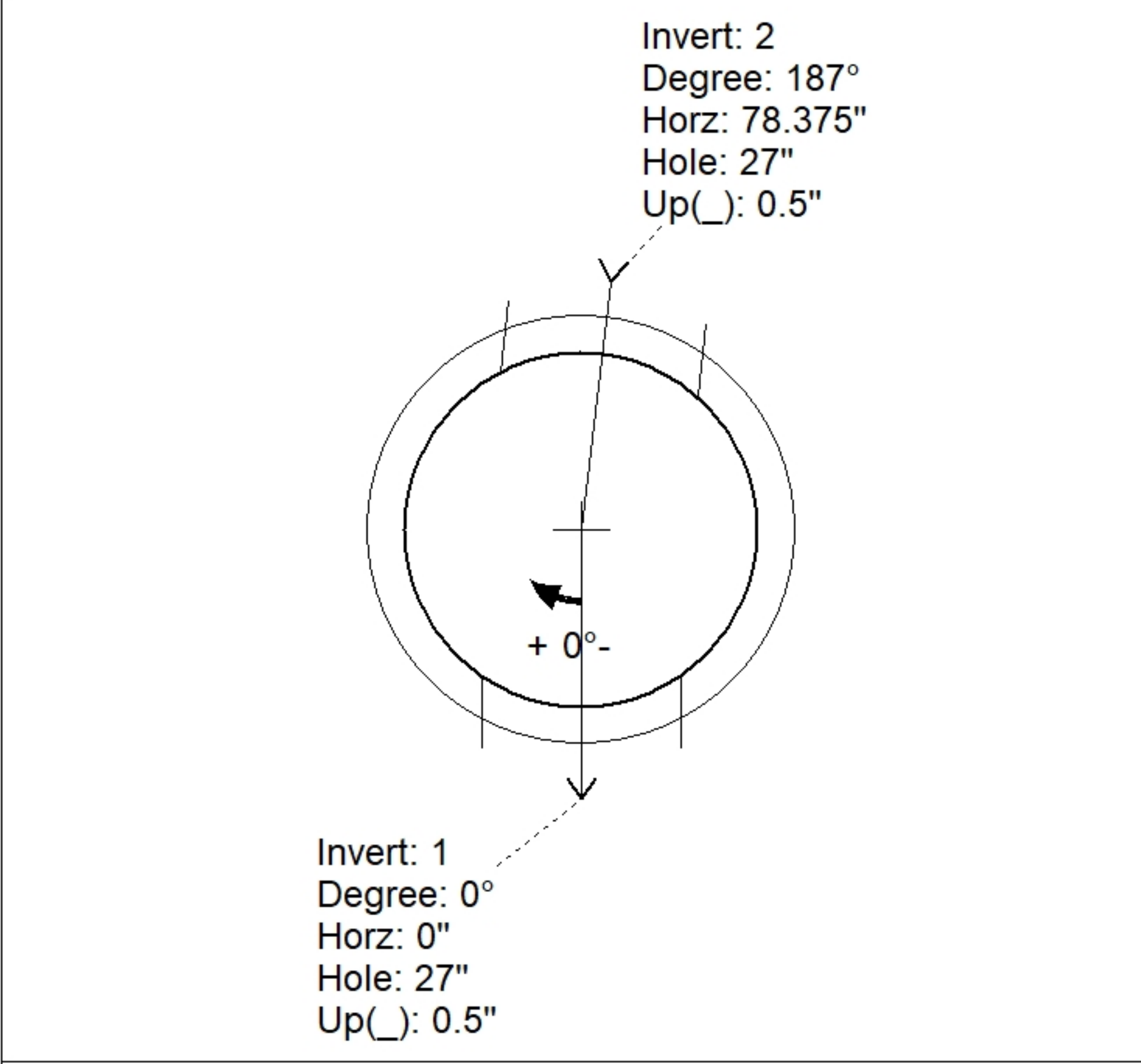
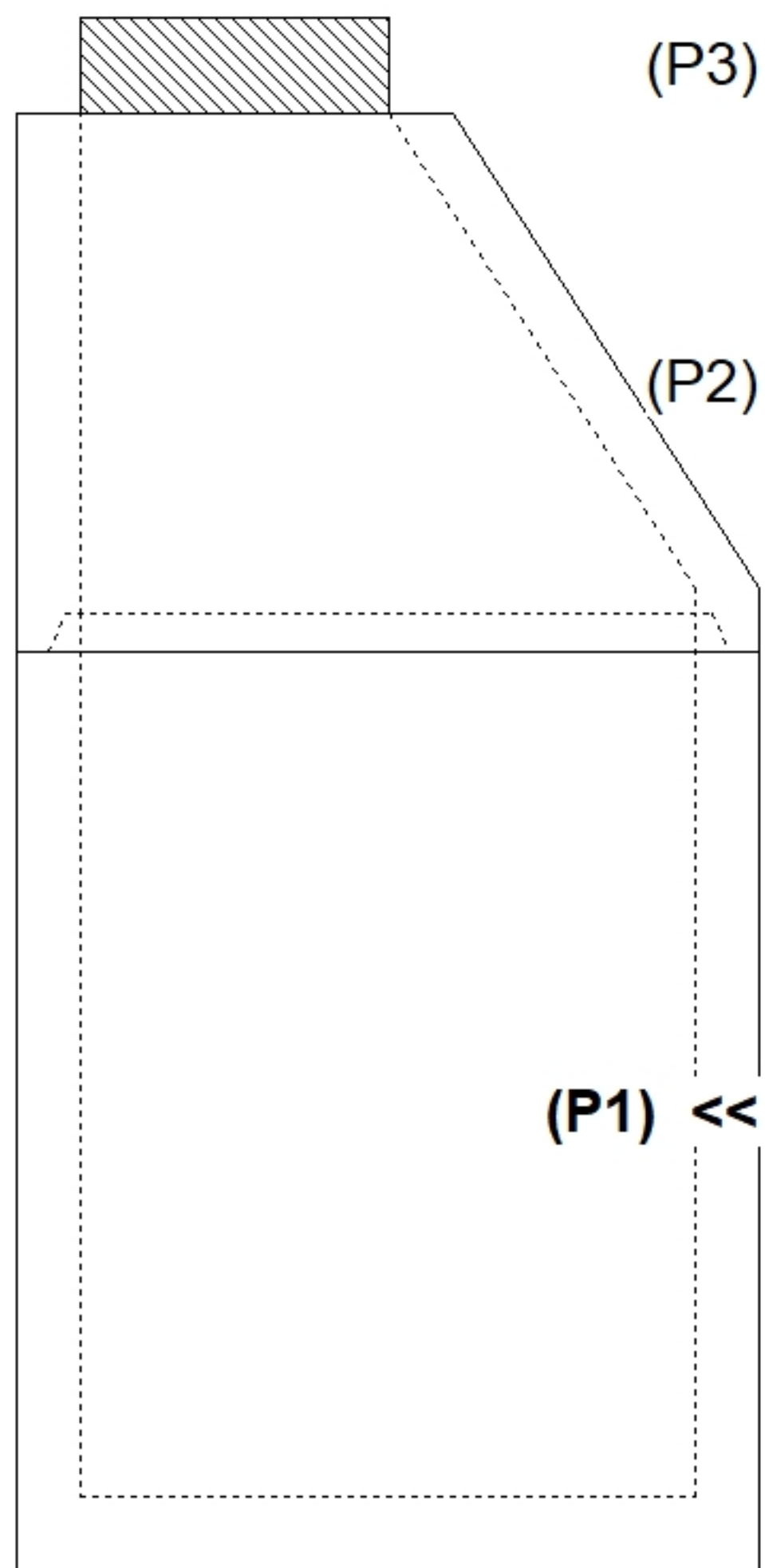
- CONE (As .12)
- RISER (As .12)
- FLOOR (As .31) #5 BARS AT 12" C.C.E.W.

Rim: 558.62' Rim to Invert: 9.52' Slack: 0.74" Sump: 2" Step Position:

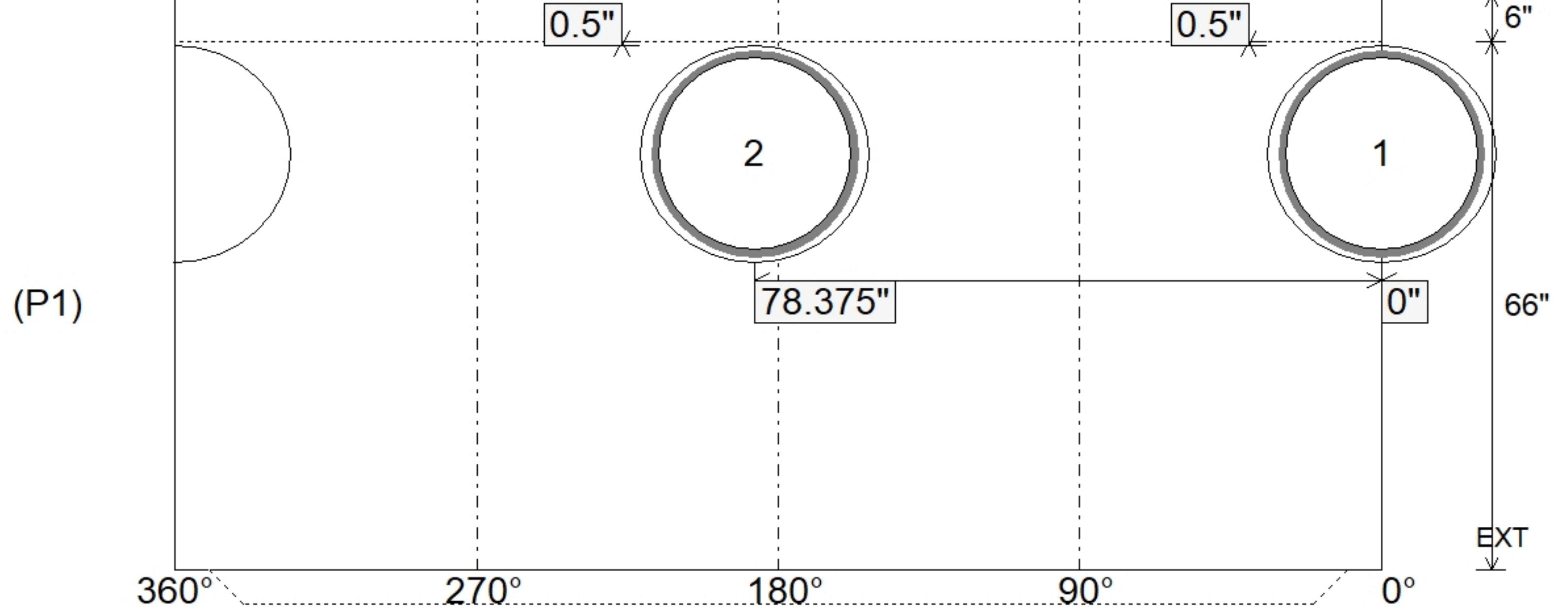
Position	Elev	Angle	Ext. (cw)	Pipe	Pipe OD	Connector	Hole	Horz Size	Up ()	Offset
Invert 1	549.1'	0°	0"	24" DI	25.75"	A-Lok 0820	27"	28.676"	0.5"	0"
Invert 2	549.1'	187°	94.625"	24" DI	25.75"	A-Lok 0820	27"	28.676"	0.5"	0"
Invert 3										
Invert 4										
Invert 5										
Invert 6										
Invert 7										
Invert 8										

RIGHT-SIDE UP VIEW (int. dimensions)

UPSIDE-DOWN VIEW (int. dimensions)



INSIDE WALL DIMENSIONS



Coating (Int): Coating (Ext):	Seam Up: Tongue Seam Dn: n/a	Wall Thickness: 5" Floor Height: 6"	Height (Int): 66" Height (Ext): 72"	Weight (Net): 5436 lb Volume (Net): 1.39cu.yd
----------------------------------	---------------------------------	--	--	--

Structure ID: SF-81

P1A MH048BAVFX

MH BASE Custom Ht, w/YYPEX T/n

P3) 24" - CASTING HEIGHT - 7.50" P2) 48" - ECC XYPEX CONE w/ 24" HOLE F/G - 42" P1) 48" - MH BASE Custom Ht, w/YYPEX T/n - 66" 1) 48" - MH INVERT CHANNEL w/YYPEX - FULL HEIGHT 1) JOINT WRAP - 0.065"x6"x50' CONSEAL CS212 1) JOINT WRAP PRIMER - CONSEAL CS-75 (1 gal.) 1) 48" - DBL 1"x14.5' Butyl (2x) 2) A-Lok - 0820	0 lb 3116 lb 5436 lb 1440 lb 0 lb 0 lb 0 lb 0 lb 2 lb <hr style="width: 50px; margin: 0;"/> Structure Total: 9994 lb
---	---

Structure Notes:

1. PER ASTM C478 SPECIFICATIONS.
2. CONCRETE = 4,000 PSI AT 28 DAYS.
3. JBS 1123 WT "SANITARY" PROVIDED BY ICAST
4. NO STEPS

REINFORCING PER ASTM A615 (GRADE 60).

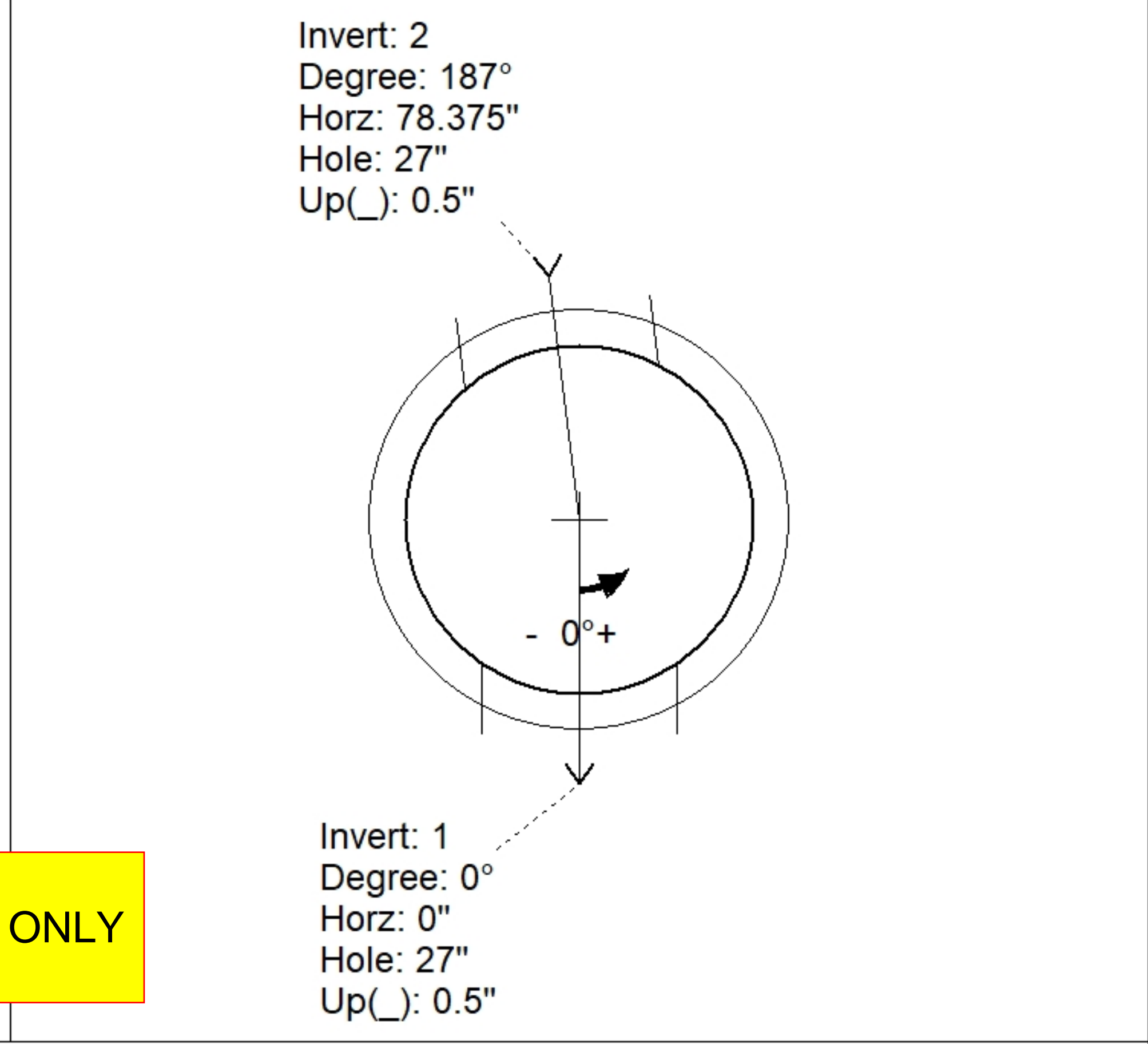
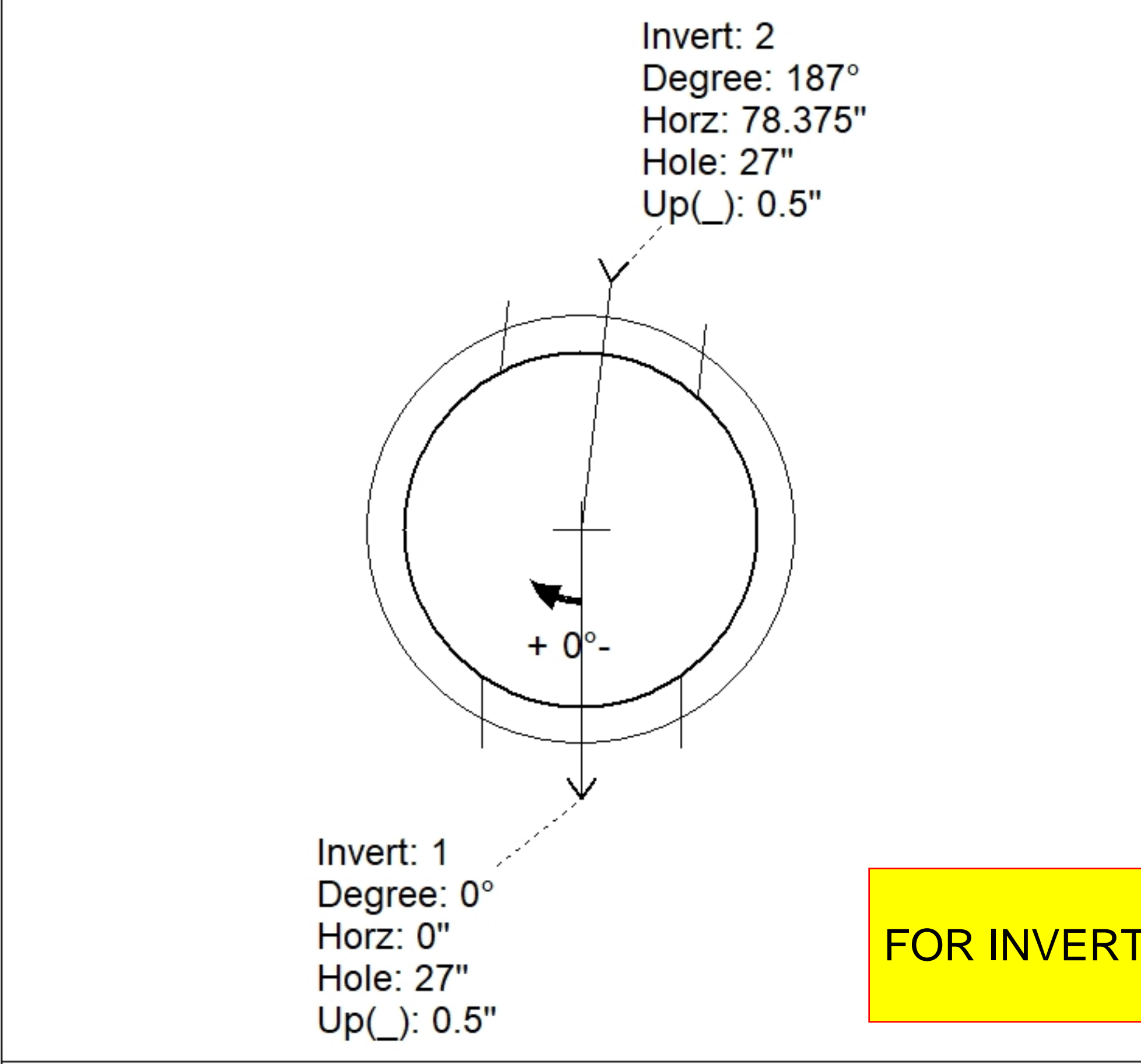
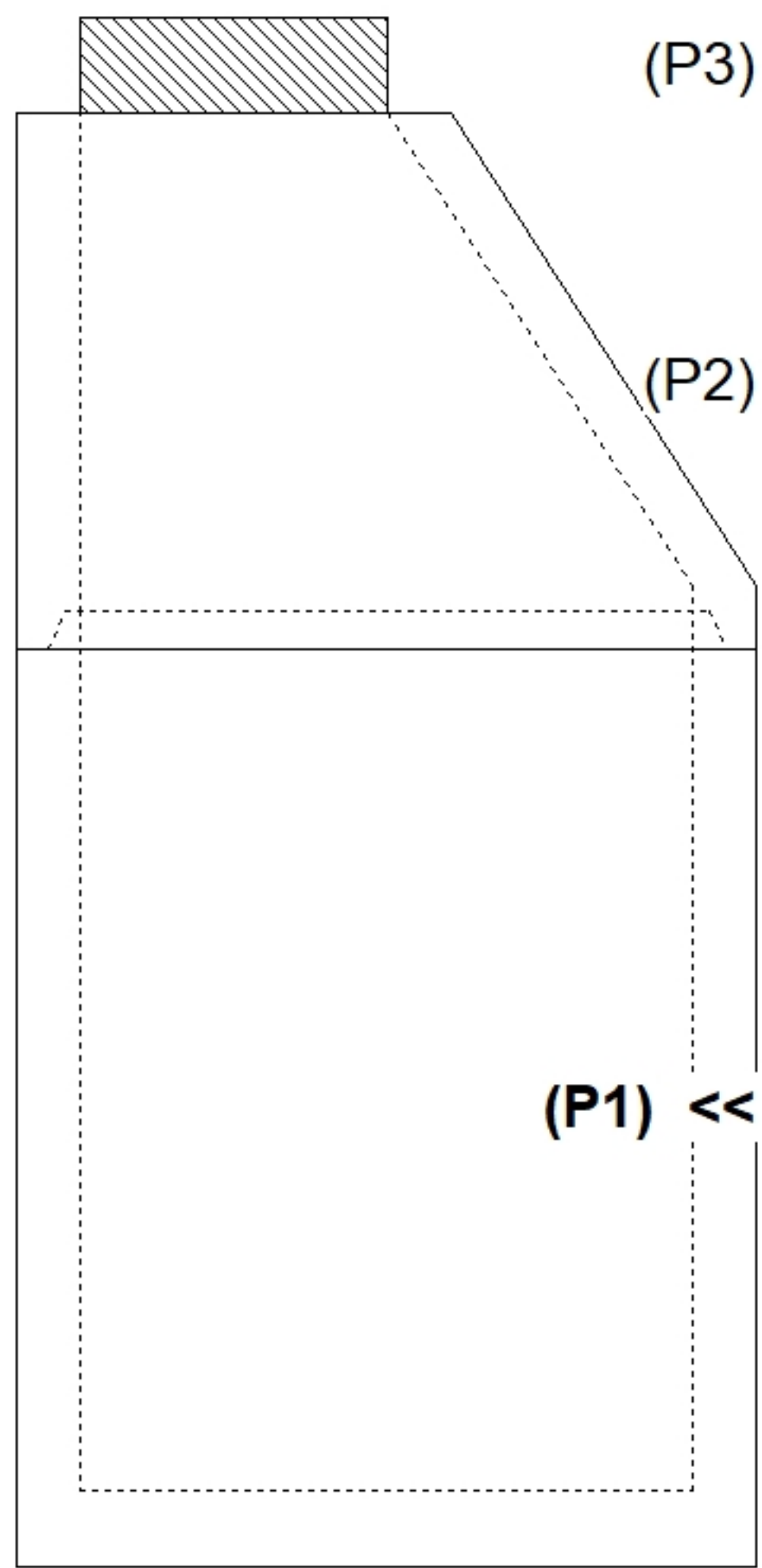
- CONE (As .12)
- RISER (As .12)
- FLOOR (As .31) #5 BARS AT 12" C.C.E.W.

Rim: 558.62' Rim to Invert: 9.52' Slack: 0.74" Sump: 2" Step Position:

Position	Elev	Angle	Ext. (cw)	Pipe	Pipe OD	Connector	Hole	Horz Size	Up ()	Offset
Invert 1	549.1'	0°	0"	24" DI	25.75"	A-Lok 0820	27"	28.676"	0.5"	0"
Invert 2	549.1'	187°	94.625"	24" DI	25.75"	A-Lok 0820	27"	28.676"	0.5"	0"
Invert 3										
Invert 4										
Invert 5										
Invert 6										
Invert 7										
Invert 8										

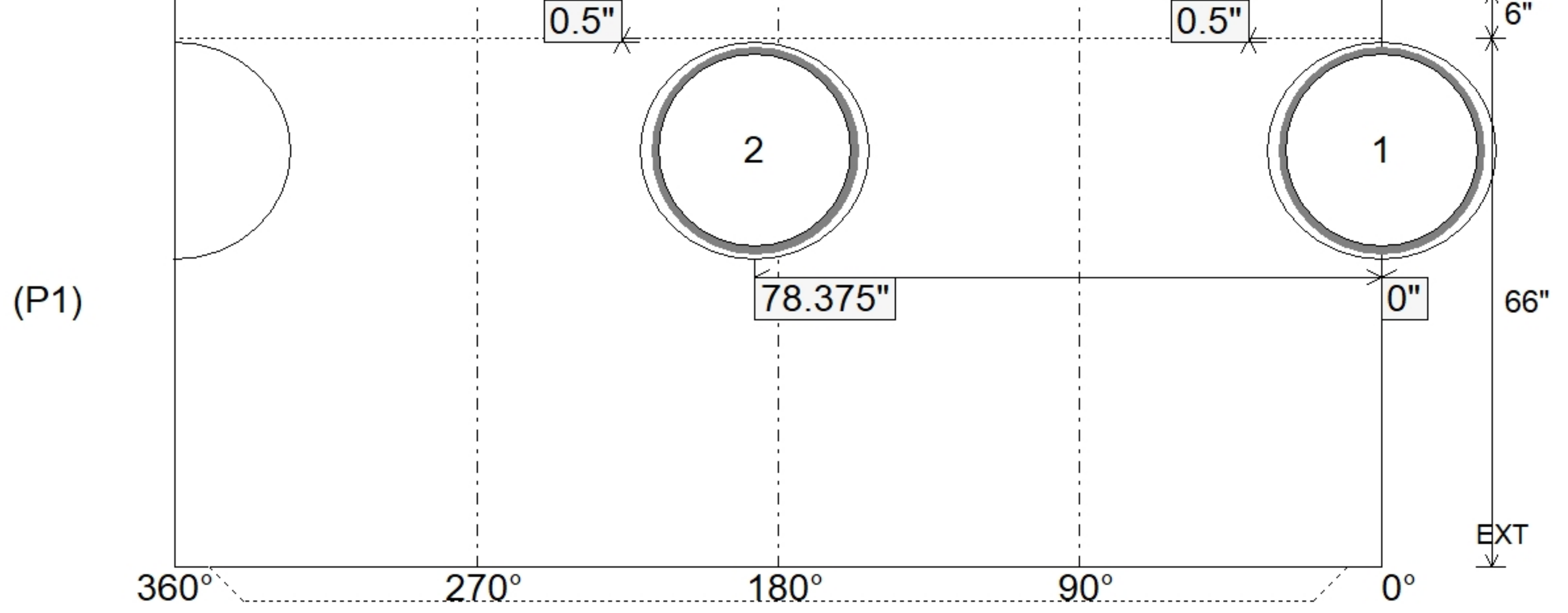
RIGHT-SIDE UP VIEW (int. dimensions)

UPSIDE-DOWN VIEW (int. dimensions)



FOR INVERT ONLY

INSIDE WALL DIMENSIONS



Coating (Int):	Seam Up: Tongue	Wall Thickness: 5"	Height (Int): 66"	Weight (Net): 5436 lb
Coating (Ext):	Seam Dn: n/a	Floor Height: 6"	Height (Ext): 72"	Volume (Net): 1.39cu.yd