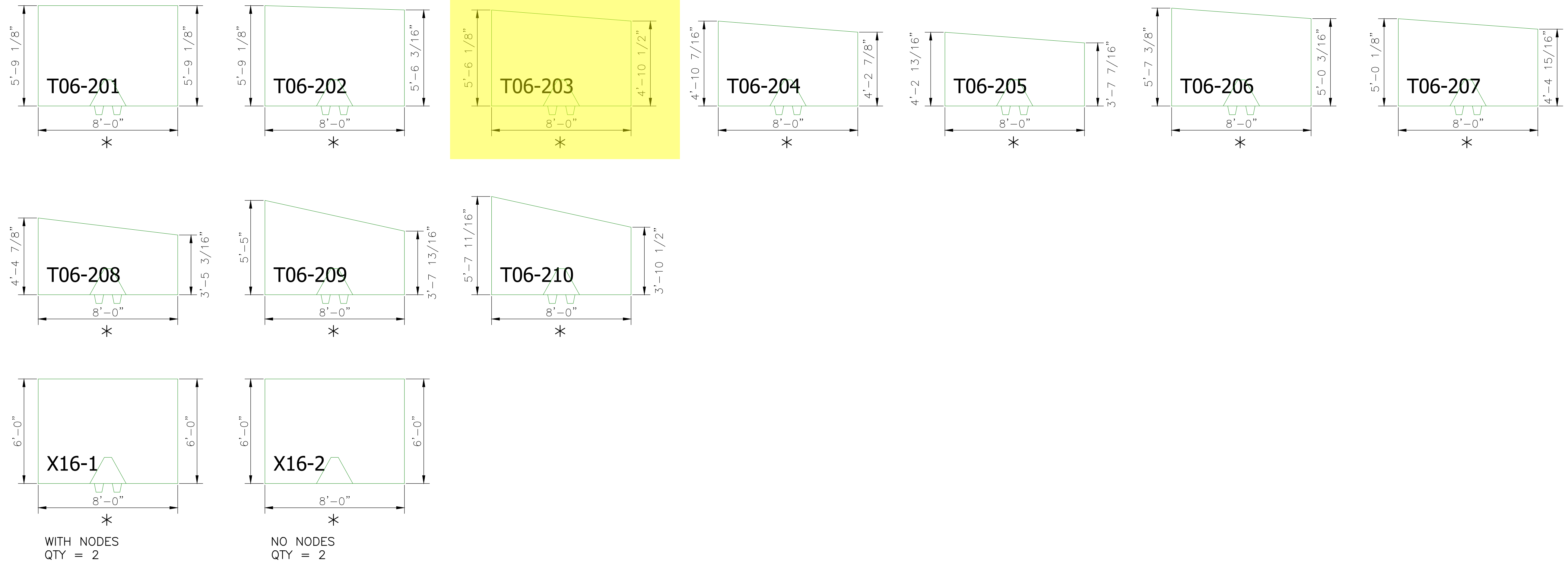


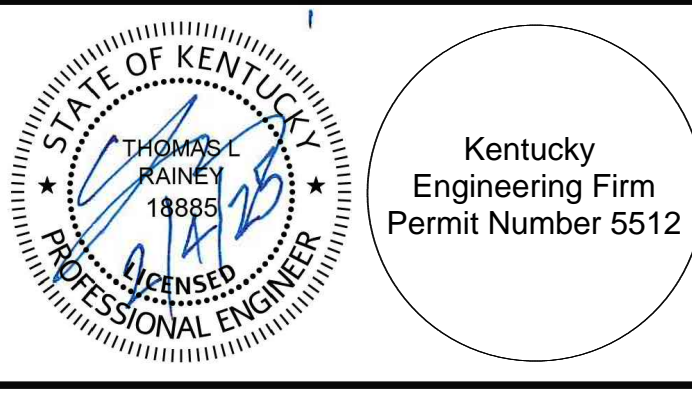
© Copyright 2025 by Earth Wall Products, LLC. All rights reserved. This document is the property of Earth Wall Products, LLC. It is to be used only for the specific project referred to or identified herein and is not to be used on other projects, in whole or in part, except by the express written agreement of Earth Wall Products, LLC.

EW24-089 KY DOT Fuch Road Wing Walls_FINAL.dwg
2/4/2025 3:06 PM

NW WING WALL TOP UNIT DIMENSIONS (LOOKING AT FRONT FACE)



* EFFECTIVE LENGTH BETWEEN TWO PANELS IS 8.0625' WHICH INCLUDES THE 3/4" SPACING.



REVISIONS			
REV.	DESCRIPTION	BY	DATE
0	FINAL DESIGN SUBMITTAL	DP	02/04/25



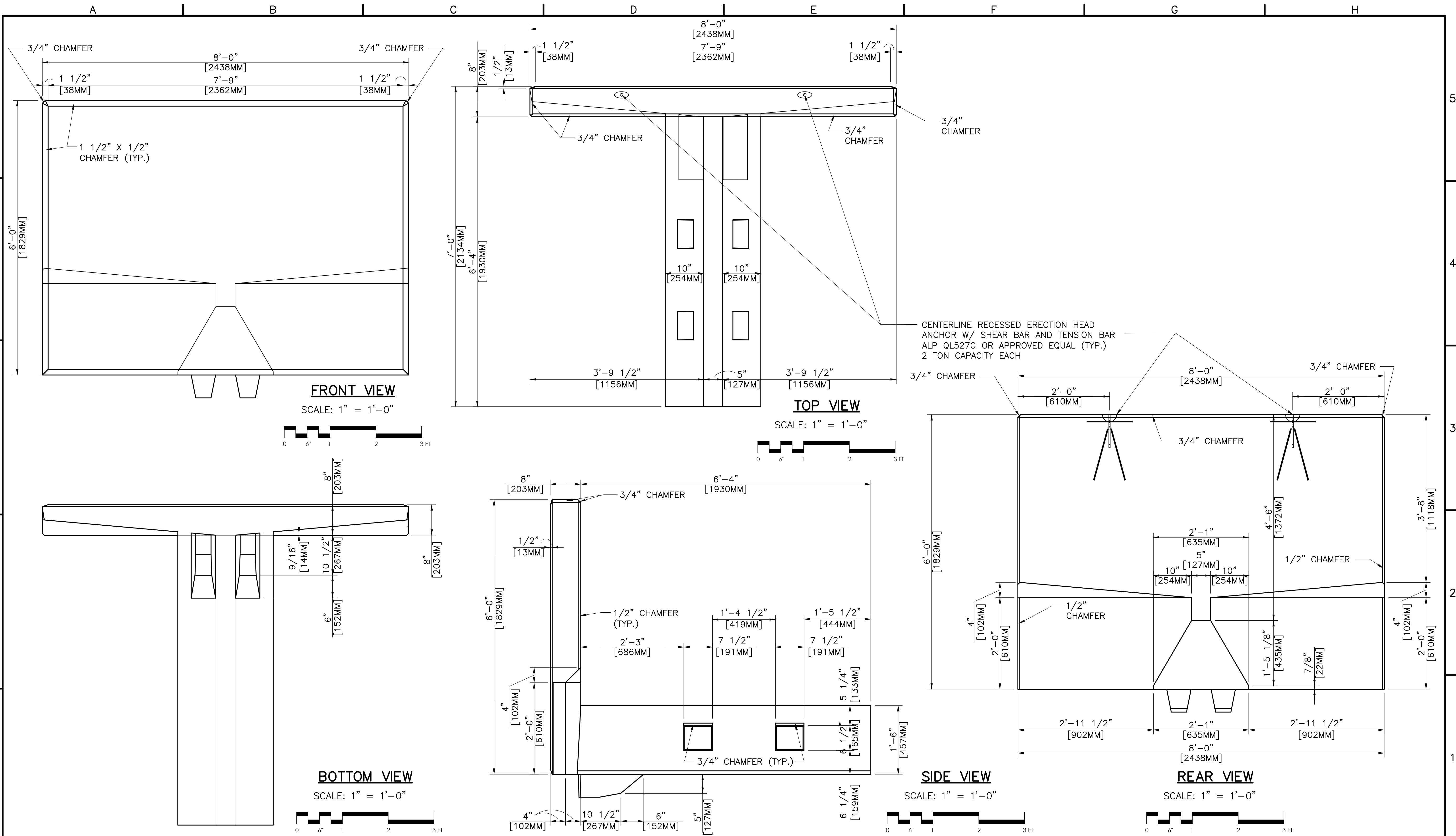
FUCH ROAD/PROJECT STEAM GRAVIX WING WALLS

EARTH WALL PRODUCTS
 1741 DIXIE AVE SE
 SMYRNA, GEORGIA 30080
 www.earthwallproducts.com

NW WING WALL CUSTOM
 UNIT DIMENSIONS

LINE IS 2 INCHES AT FULL SIZE (IF NOT 2"=SCALE ACCORDINGLY)
DESIGNED DP
DRAWN DP
REVIEWED ML
SHEET NUMBER 18 OF 22

© Copyright 2025 by Earth Wall Products, LLC. All rights reserved. This document is the property of Earth Wall Products, LLC. It is to be used only for the specific project referred to or identified herein and is not to be used on other projects, in whole or in part, except by the express written agreement of Earth Wall Products, LLC.
 EW24-089 KY DOT Fuch Road Wing Walls Production Drawings.dwg
 5/20/2025 1:12 PM



Kentucky Engineering Firm
 Permit Number 5512

REVISIONS			
REV.	DESCRIPTION	BY	DATE
0	PRODUCTION DRAWINGS	IM	05/20/25

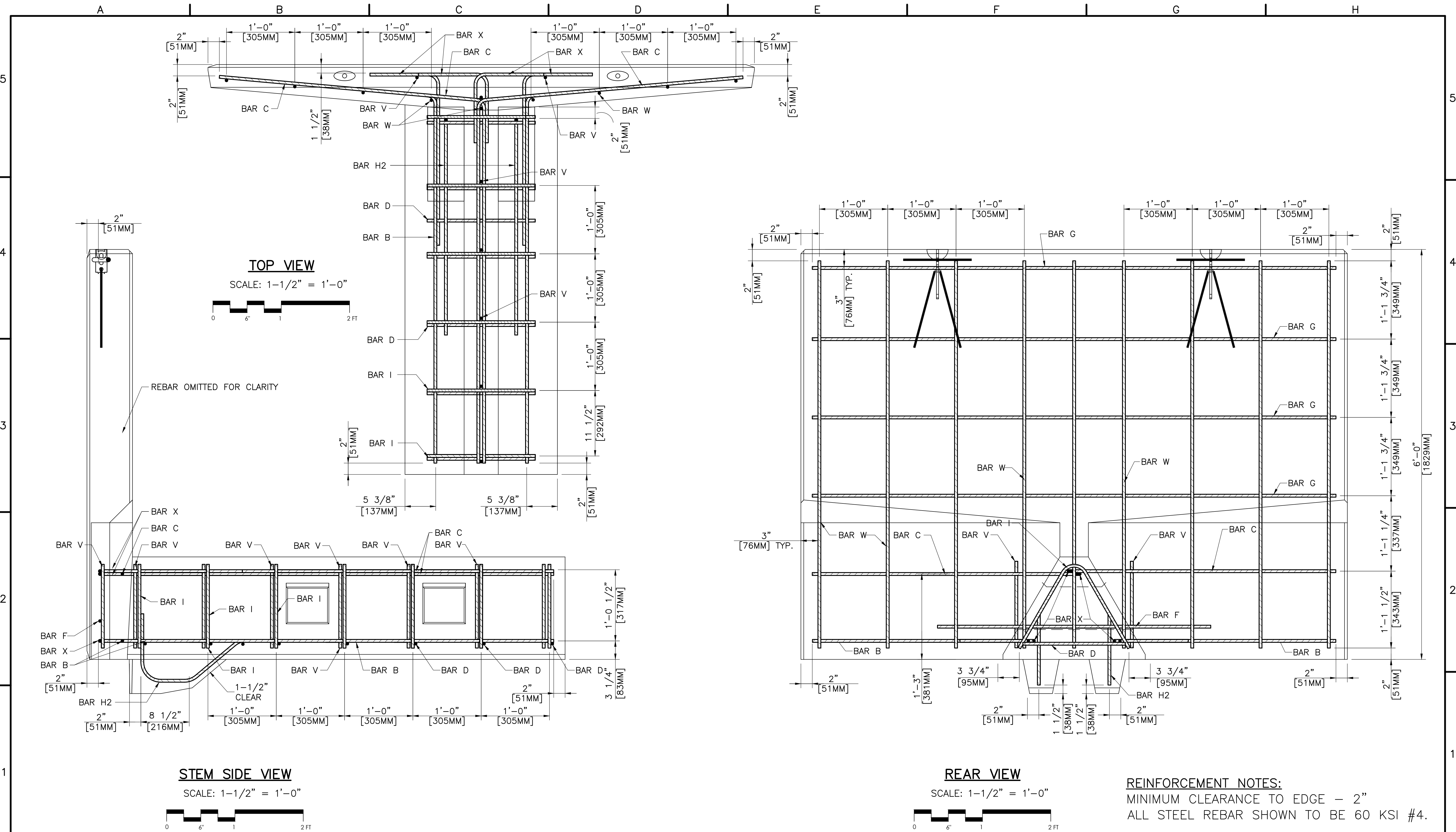
EARTH WALL PRODUCTS

GRAVIX PRODUCTION DRAWINGS
 FUCH ROAD WING WALLS
 EARTH WALL PRODUCTS
 1741 DIXIE AVE SE
 SMYRNA, GEORGIA 30080
 www.earthwallproducts.com

PARAPET UNIT
 6 FT STEMS
 DIMENSIONS

DESIGNED . . . IM
DRAWN . . . IM
REVIEWED . . . ML
SHEET NUMBER
19 OF 23

© Copyright 2025 by Earth Wall Products, LLC. All rights reserved. This document is the property of Earth Wall Products, LLC. It is to be used only for the specific project referred to or identified herein and is not to be used on other projects, in whole or in part, except by the express written agreement of Earth Wall Products, LLC.
 EW24-089 KY DOT Fuch Road Wing Walls Production Drawings.dwg
 5/20/2025 1:11 PM



STATE OF KENTUCKY
 THOMAS L. RAINEY
 18885
 6/20/25
 LICENSED PROFESSIONAL ENGINEER
 Kentucky Engineering Firm
 Permit Number 5512

REVISIONS			
REV.	DESCRIPTION	BY	DATE
0	PRODUCTION DRAWINGS	IM	05/20/25

EARTH WALL PRODUCTS

GRAVIX PRODUCTION DRAWINGS
 FUCH ROAD WING WALLS
 EARTH WALL PRODUCTS
 1741 DIXIE AVE SE
 SMYRNA, GEORGIA 30080
 www.earthwallproducts.com

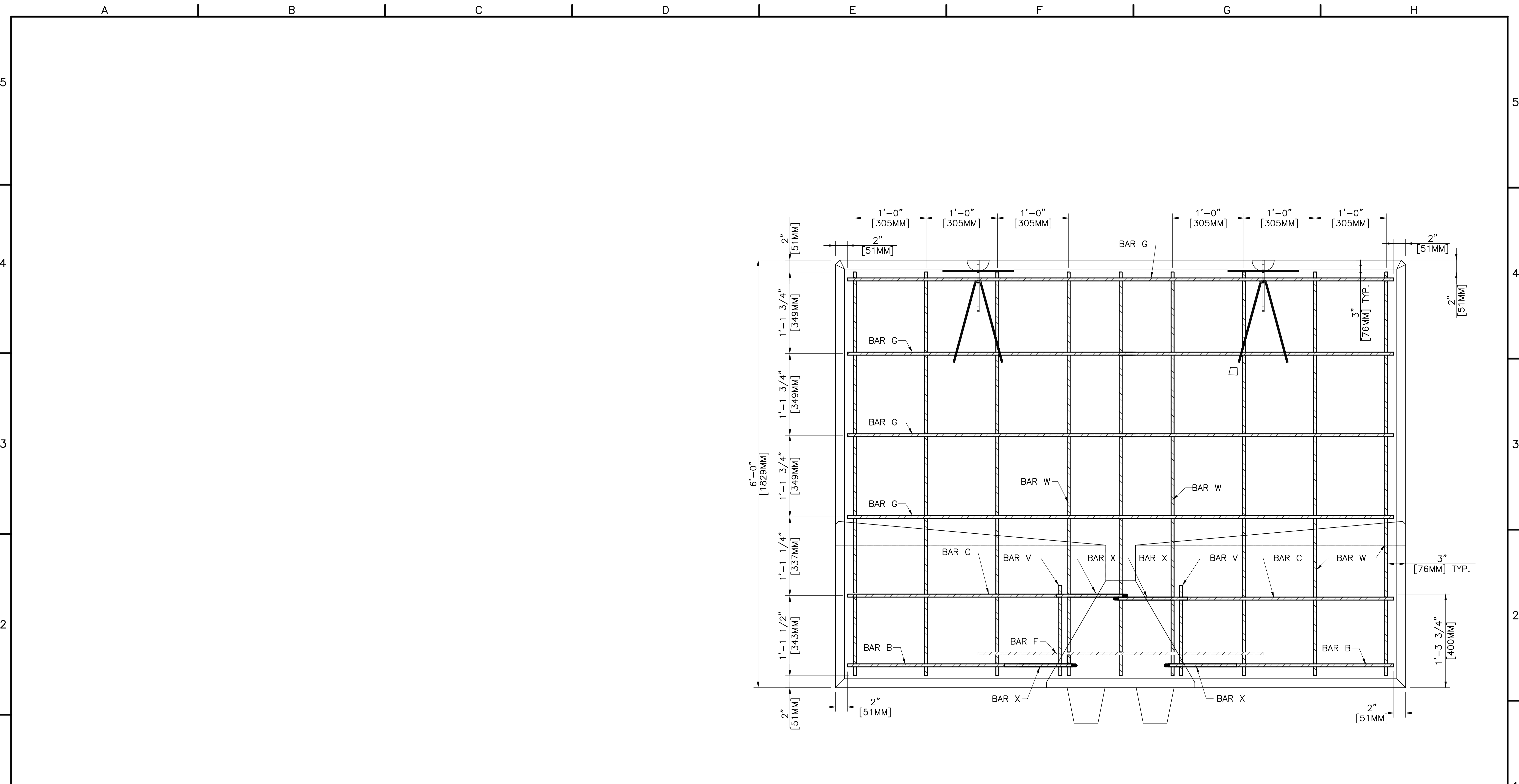
**PARAPET UNIT
 6 FT STEMS
 REINFORCEMENT LAYOUT**

DESIGNED . . . IM
DRAWN . . . IM
REVIEWED . . . ML
SHEET NUMBER 20 OF 23

© Copyright 2025 by Earth Wall Products, LLC. All rights reserved. This document is the property of Earth Wall Products, LLC. It is to be used only for the specific project referred to or identified herein and is not to be used on other projects, in whole or in part, except by the express written agreement of Earth Wall Products, LLC.

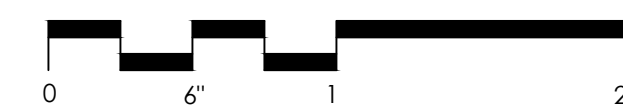
THIS SHEET PLOTS ON
 22" x 34" ANSI D

EW24-089 KY DOT Fuch Road Wing Walls Production Drawings.dwg
 5/20/2025 1:12 PM



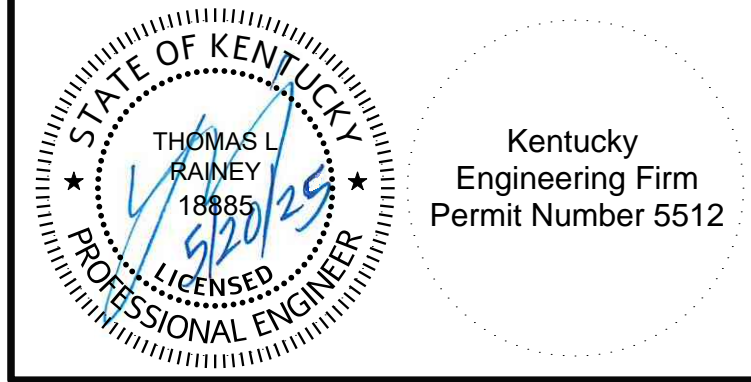
FRONT VIEW

1-1/2" = 1'-0"



REINFORCEMENT NOTES:

MINIMUM CLEARANCE TO EDGE - 2"
 ALL STEEL REBAR SHOWN TO BE 60 KSI #4.



REVISIONS			
REV.	DESCRIPTION	BY	DATE
0	PRODUCTION DRAWINGS	IM	05/20/25

EARTH WALL
 PRODUCTS

GRAVIX PRODUCTION DRAWINGS
 FUCH ROAD WING WALLS
 EARTH WALL PRODUCTS
 1741 DIXIE AVE SE
 SMYRNA, GEORGIA 30080
 www.earthwallproducts.com

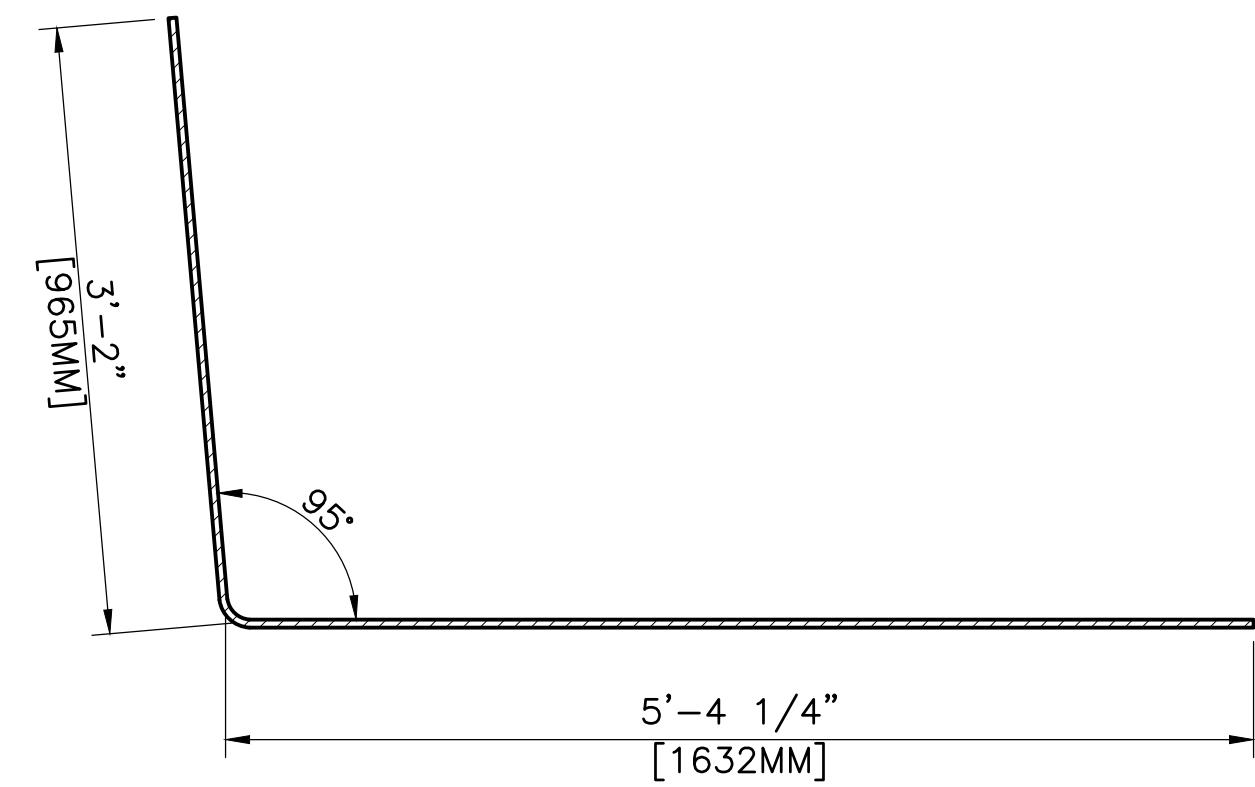
PARAPET UNIT
6 FT STEMS
REINFORCEMENT LAYOUT
(CONT.)

DESIGNED . . . IM
DRAWN . . . IM
REVIEWED . . . ML
SHEET NUMBER
21 OF 23

© Copyright 2025 by Earth Wall Products, LLC. All rights reserved. This document is the property of Earth Wall Products, LLC. It is to be used only for the specific project referred to or identified herein and is not to be used on other projects, in whole or in part, except by the express written agreement of Earth Wall Products, LLC.
 EW24-089 KY DOT Fuch Road Wing Walls Production Drawings.dwg
 5/20/2025 1:12 PM

A B C D E F G H

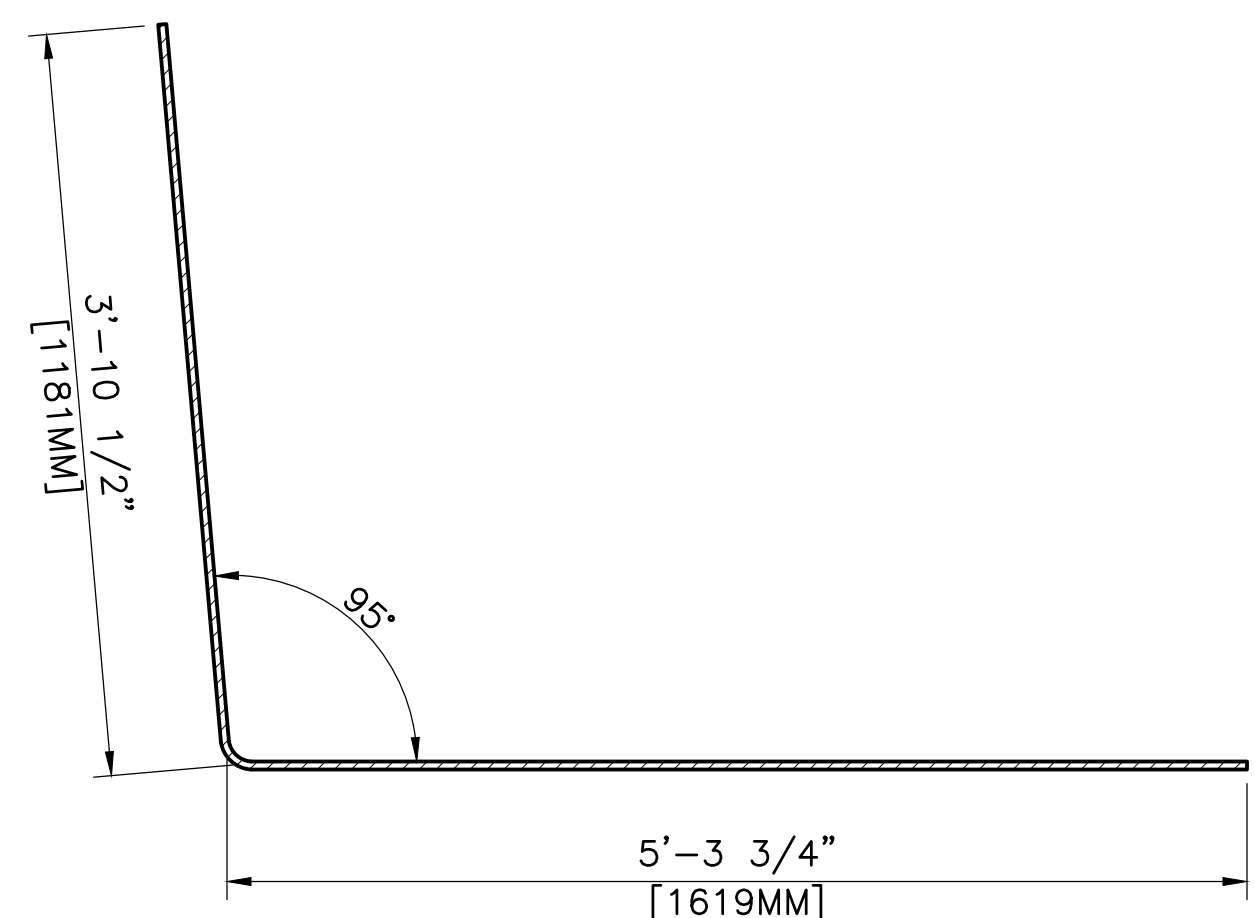
5
4
3
2
1



REINFORCEMENT BAR B

2 REQUIRED

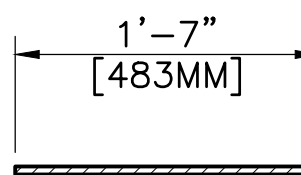
SCALE: 1" = 1'-0"



REINFORCEMENT BAR C

2 REQUIRED

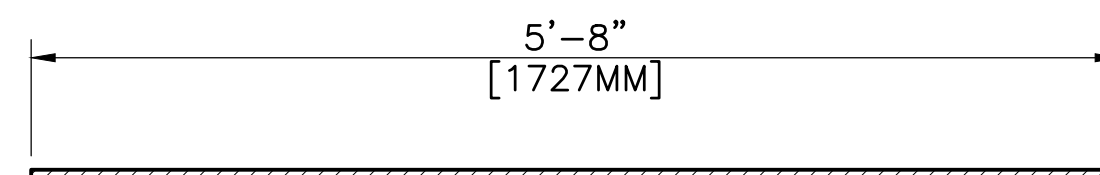
SCALE: 1" = 1'-0"



REINFORCEMENT BAR D

7 REQUIRED

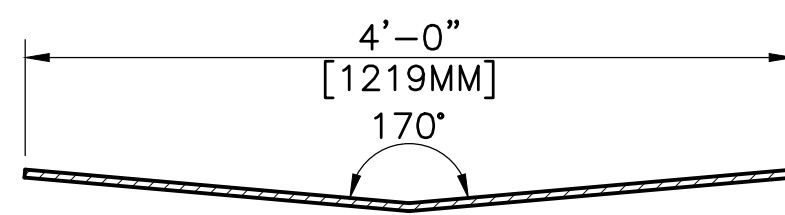
SCALE: 1" = 1'-0"



REINFORCEMENT BAR W

10 REQUIRED

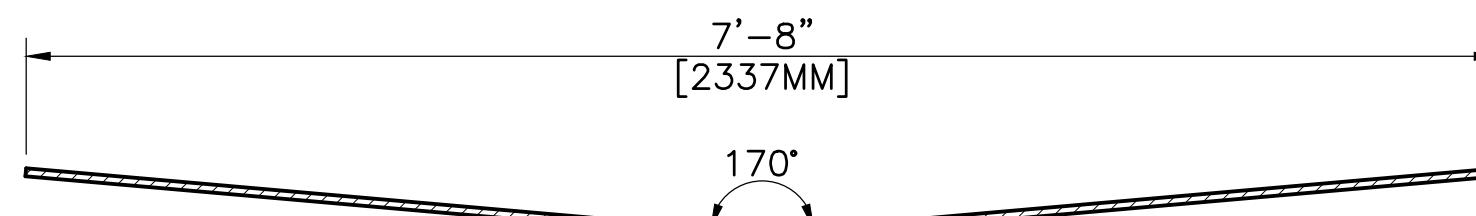
SCALE: 1" = 1'-0"



REINFORCEMENT BAR F

1 REQUIRED

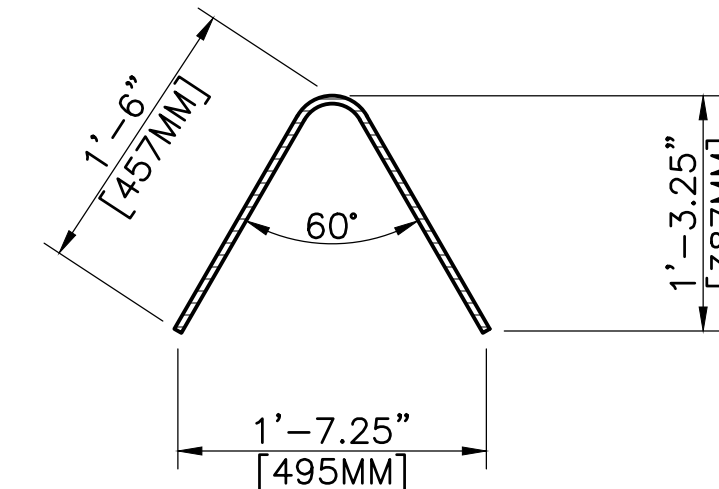
SCALE: 1" = 1'-0"



REINFORCEMENT BAR G

4 REQUIRED

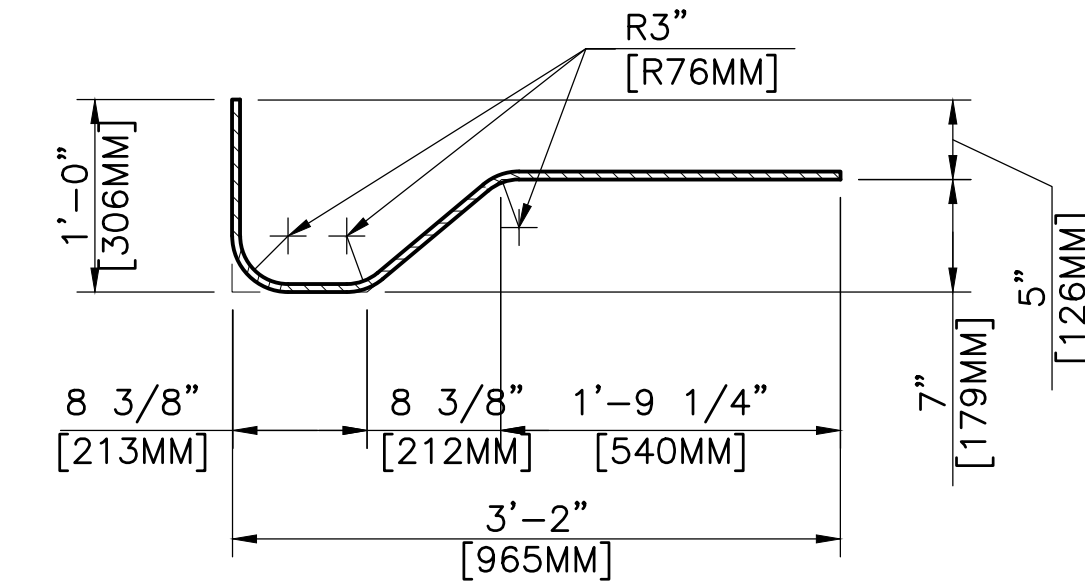
SCALE: 1" = 1'-0"



REINFORCEMENT BAR I

6 REQUIRED

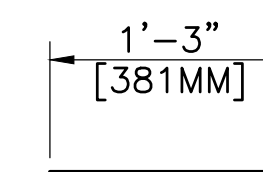
SCALE: 1" = 1'-0"



REINFORCEMENT BAR H

2 REQUIRED

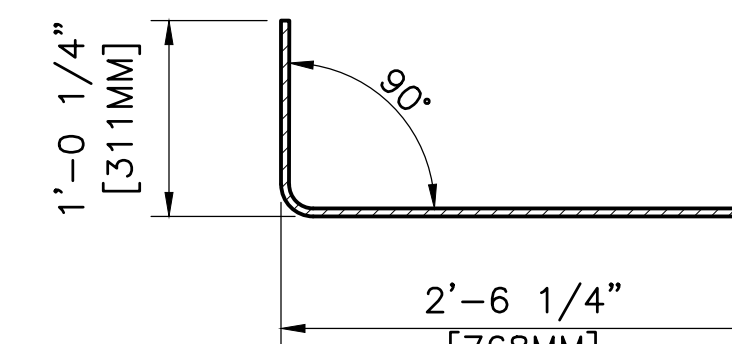
SCALE: 1" = 1'-0"



REINFORCEMENT BAR V

8 REQUIRED

SCALE: 1" = 1'-0"



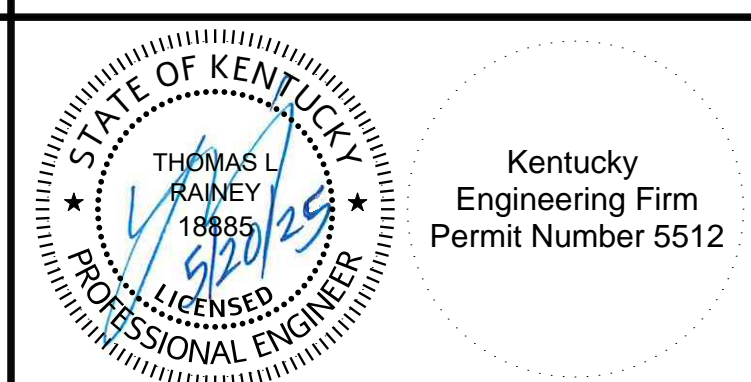
REINFORCEMENT BAR X

4 REQUIRED

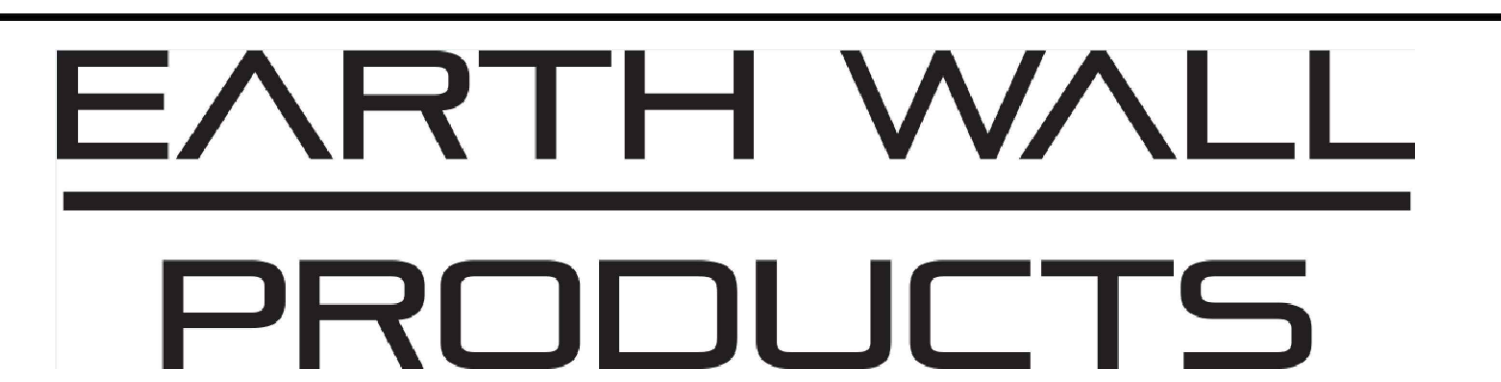
SCALE: 1" = 1'-0"



REINFORCEMENT NOTES:
 MINIMUM CLEARANCE TO EDGE - 2"
 ALL STEEL REBAR TO BE 60 KSI #4



REVISIONS			
REV.	DESCRIPTION	BY	DATE
0	PRODUCTION DRAWINGS	IM	05/20/25



GRAVIX PRODUCTION DRAWINGS
 FUCH ROAD WING WALLS

EARTH WALL PRODUCTS
 1741 DIXIE AVE SE
 SMYRNA, GEORGIA 30080
 www.earthwallproducts.com

PARAPET UNIT
 6 FT STEMS
 REBAR DETAILS

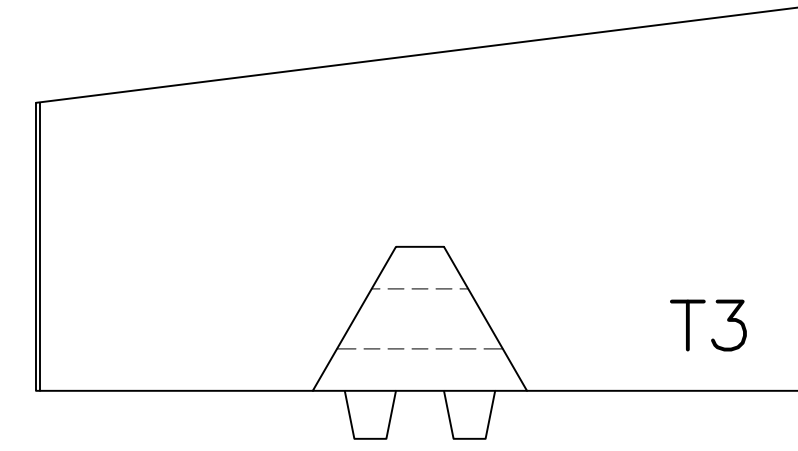
DESIGNED	IM
DRAWN	IM
REVIEWED	ML
SHEET NUMBER	
22 OF 23	

A B C D E F G H

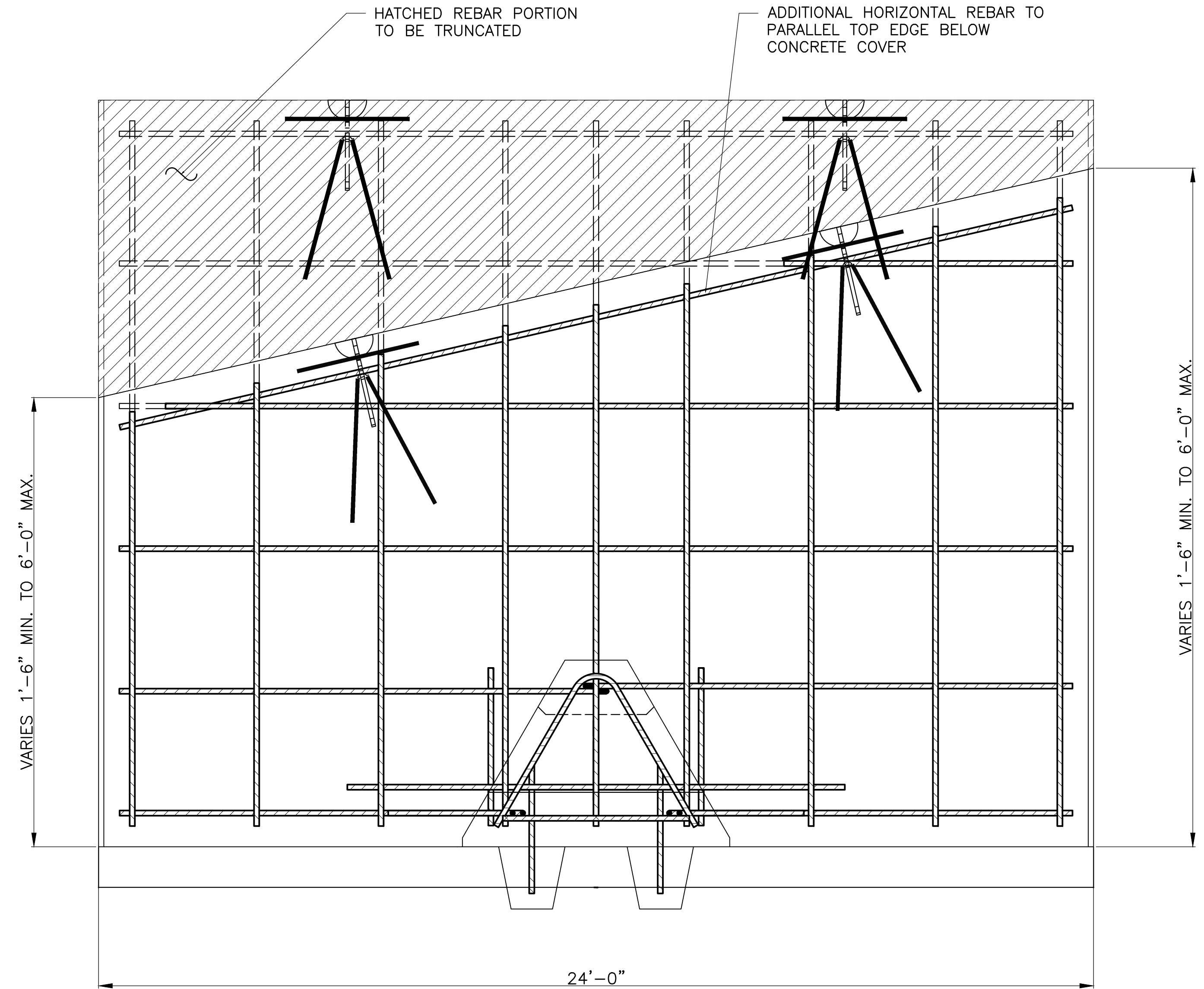
© Copyright 2025 by Earth Wall Products, LLC. All rights reserved. This document is the property of Earth Wall Products, LLC. It is to be used only for the specific project referred to or identified herein and is not to be used on other projects, in whole or in part, except by the express written agreement of Earth Wall Products, LLC.
 EW24-089 KY DOT Fuch Road Wing Walls Production Drawings.dwg 5/20/2025 1:12 PM

CUSTOM TOP UNITS

FOR CUSTOM TOP UNITS, THE REBAR LAYOUT TO WORK FROM IS SHOWN ON THE RESPECTIVE SHEETS AS A FULL 6' HEIGHT UNIT AS OUTLINED BELOW:

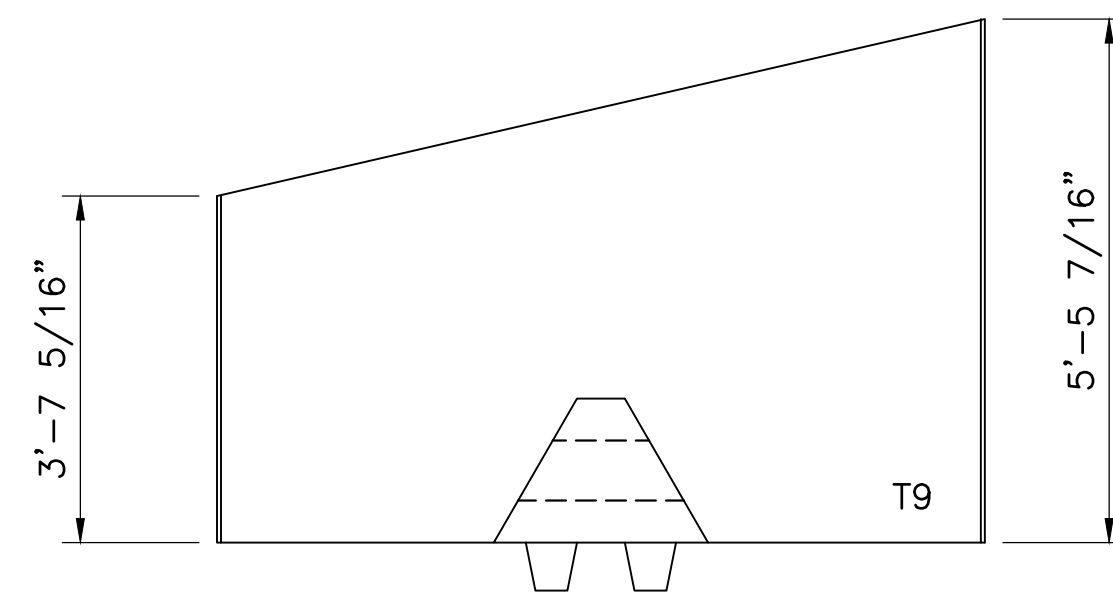


TYPICAL TOP UNIT

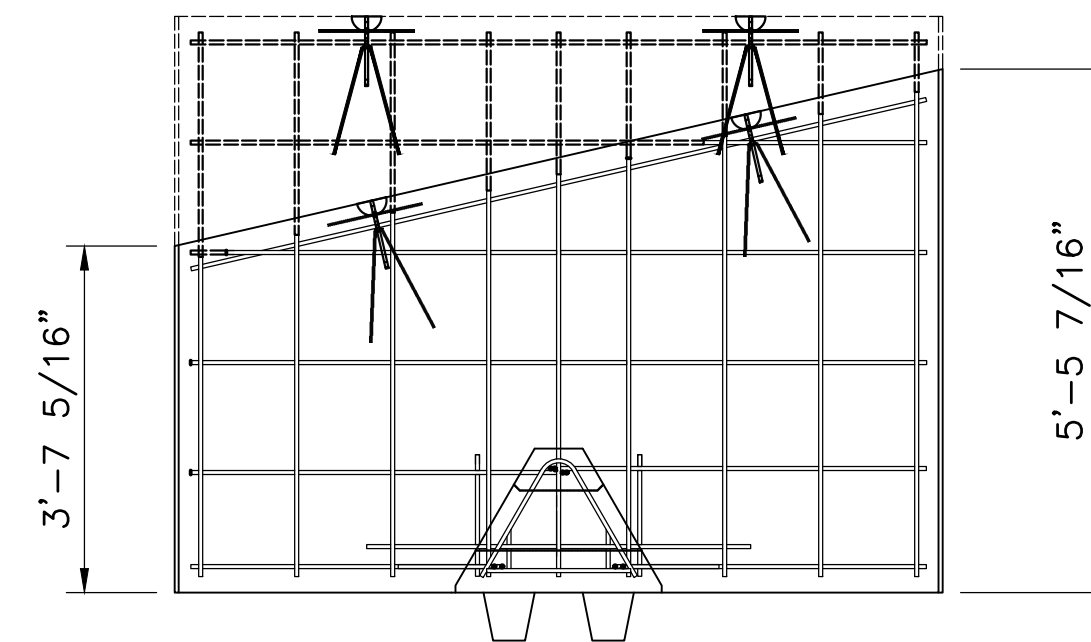


FOR CUSTOM TOP UNITS, WITH SLOPING TOP AND VARYING SIDE HEIGHTS THE REBAR IS TO BE TRUNCATED DOWN FROM THE TOP OF THE UNIT TO MEET THE SPECIFIED CUSTOM HEIGHT TOP UNIT DIMENSIONS WHILE MAINTAINING THE REQUIRED CONCRETE COVER AND REBAR SPACING AS SPECIFIED ON THE RESPECTIVE SHEETS ABOVE FROM THE BOTTOM UP. THE EXCEPTION BEING THERE SHOULD ALWAYS BE A TOPMOST HORIZONTAL REBAR PLACED PARALLEL TO THE TOP SLOPE OF THE CUSTOM UNIT. SLIM TOP UNITS, ARE TO HAVE REBAR TRUNCATED AS NEEDED FROM EITHER SIDE AGAIN MAINTAINING THE REBAR SPACING FROM THE CENTER OUT TO EITHER SIDE EDGE.

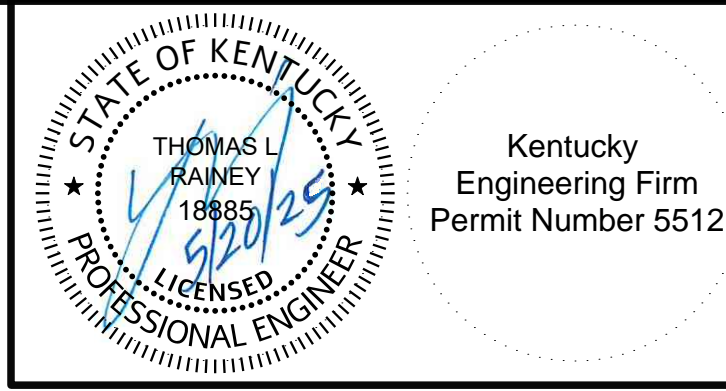
EXAMPLE:



FROM DESIGN DRAWINGS



PRECASTER TO PRODUCE



REVISIONS			
REV.	DESCRIPTION	BY	DATE
0	PRODUCTION DRAWINGS	IM	05/20/25

EARTH WALL PRODUCTS

GRAVIX PRODUCTION DRAWINGS
FUCH ROAD WING WALLS

EARTH WALL PRODUCTS
1741 DIXIE AVE SE
SMYRNA, GEORGIA 30080
www.earthwallproducts.com

CUSTOM TOP UNITS
REBAR LAYOUT GUIDE

DESIGNED . . IM
DRAWN . . IM
REVIEWED . . ML
SHEET NUMBER
23 OF 23