

Job Name: 25-2511D Bluesky Sec. 1 (FORCE MAIN)
 Job Location: Clarksville, TN
 Contractor: Byard Construction, LLC

Plant: Beaver Dam

Tech: J. Coppage

10/21/2025 12:05:42 PM

PC: A. Chambers



Structure ID: 36+50 ARV 65

P1 MH048DHVFCDARED

MH DH RISER Custom Ht, w/ConBlock-CDA Red

- P3) 24" - CASTING HEIGHT - 6"
- P2) 48" - MH FLAT TOP w/24" Hole ECC w/ConBlock-CDA Red - 12"
- P1) 48" - MH DH RISER Custom Ht, w/ConBlock-CDA Red - 31"
- 1) CASTING - JBS 1155 F/C VENTED
- 1) 48" - Conseal CS-102 1.00" (Double)
- 2) DOGHOUSE - 10"x10"
- 2) MH Step ML-10-TDS-NCR - 10"

0 lb
 1580 lb
 2090 lb
 250 lb
 0 lb
 0 lb
 0 lb

 3920 lb

Structure Total:

Structure Notes:

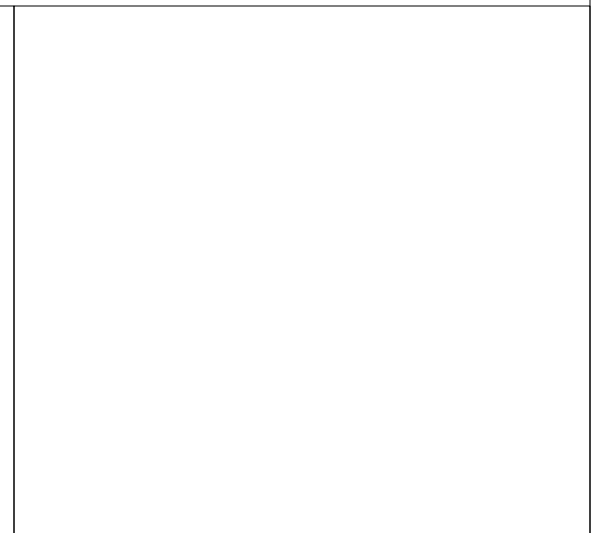
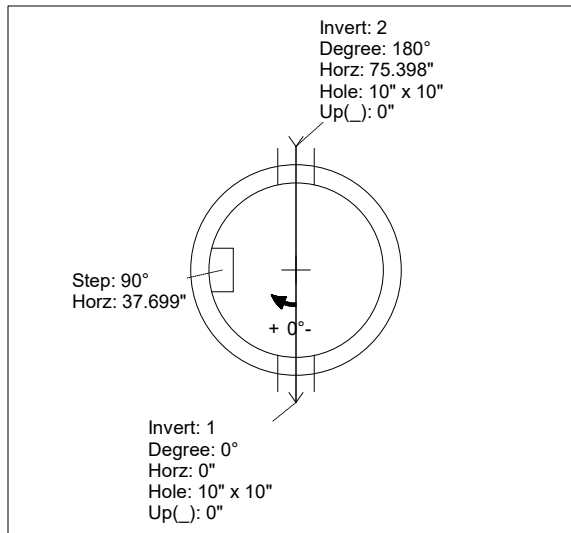
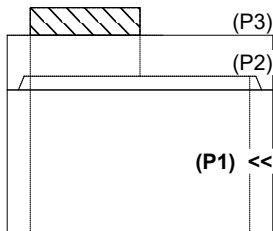
1. JBS-1155 VENTED PROVIDED BY ICAST.
2. PER ASTM C478 SPECIFICATIONS.
3. CONCRETE = 4,500 PSI AT 28 DAYS.
4. ADMIXTURE = CONBLOCK CDA RED.
5. REINFORCING PER ASTM A615 (GRADE 60).
- TOP SLAB (As .62) #5 BARS AT 6" C.C.E.W..
- RISER/WALLS (As .12)

Rim: 522.5' Rim to Invert: 3.94' Slack: 0.28" Sump: 2" Step Position: 90°

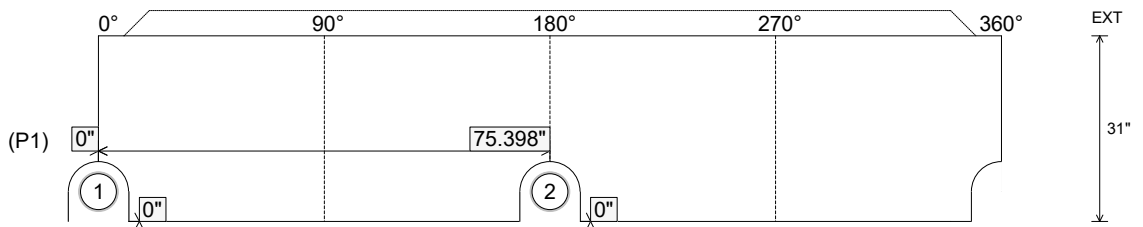
Position	Elev	Angle	Ext. (cw)	Pipe	Pipe OD	Connector	Hole	Horz Size	Up (↓)	Offset
Invert 1	518.56'	0°	0"	6" PVC SDR21	6.625"	DOGHOUSE 10"x10"	10" x 10"	10.074"	0"	0"
Invert 2	518.56'	180°	91.106"	6" PVC SDR21	6.625"	DOGHOUSE 10"x10"	10" x 10"	10.074"	0"	0"
Invert 3										
Invert 4										
Invert 5										
Invert 6										
Invert 7										
Invert 8										

RIGHT-SIDE UP VIEW (int. dimensions)

UPSIDE-DOWN VIEW (int. dimenions)



INSIDE WALL DIMENSIONS



Coating (Int):
 Coating (Ext):

Seam Up: Tongue
 Seam Dn: Flat

Wall Thickness: 5"
 Floor Height: 0"

Height (Int): 31"
 Height (Ext): 31"

Weight (Net): 2090 lb
 Volume (Net): 0.53cu.yd