

**Job Name: 25-2511D Bluesky Sec. 1 (FORCE MAIN)**

**Job Location: Clarksville, TN**

**Contractor: Byard Construction, LLC**

PC: A. Chambers

TECH: J. Coppage

Plant: Beaver Dam



Structure ID: 12+00 ARV 64

Spec: Sanitary

Type: SAN.MH Doghouse w/ConBlock

Size: 48"

Rim: 526.03'

Invert: 521.27'

Rim to Invert: 4.76'

Sump: 2"

Floor (Top): 521.103'

Floor Height: 0"

Floor (Bot): 521.103'

Overall Height: 4.917'

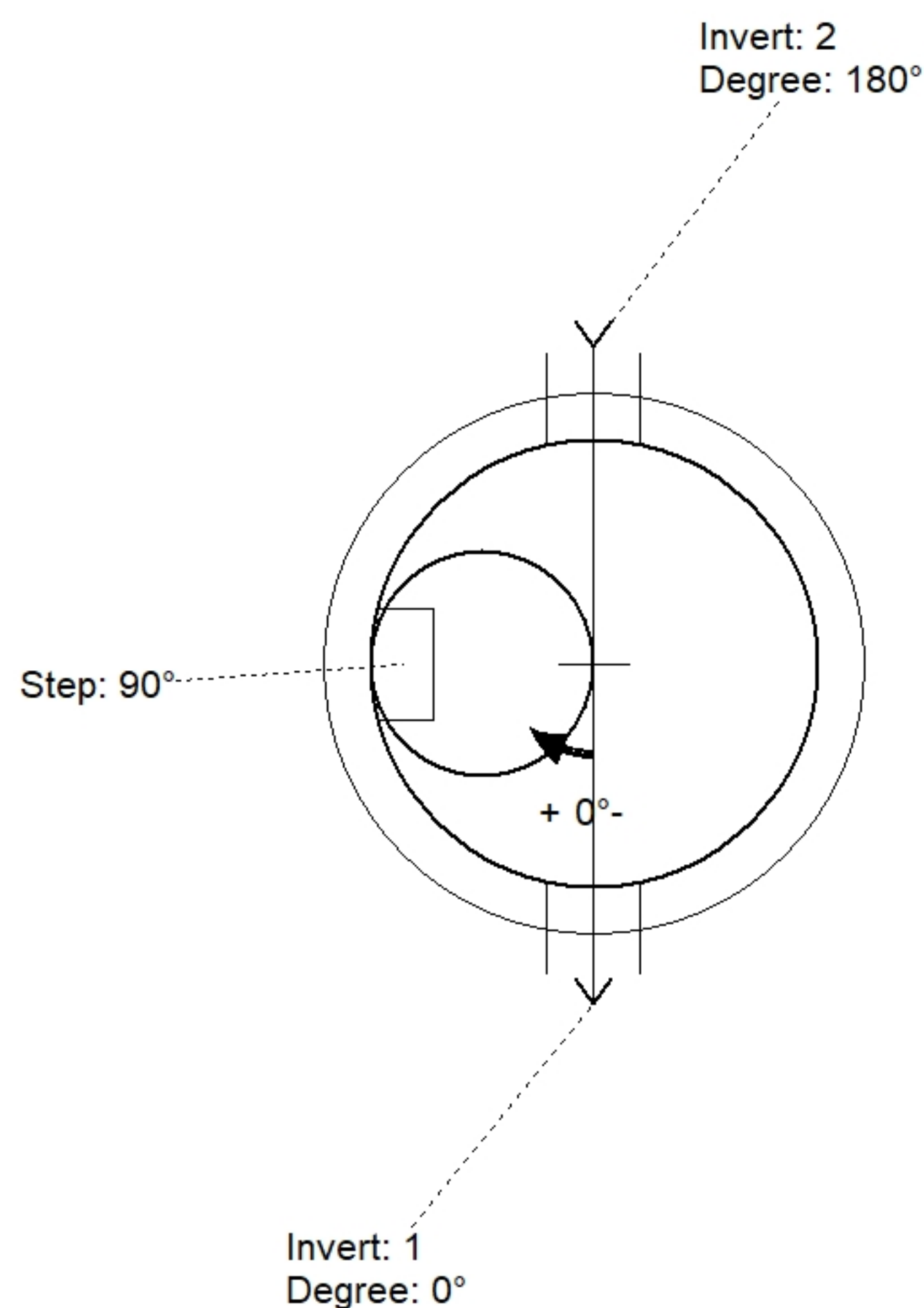
Slack: 0.12"

**Structure Notes:**

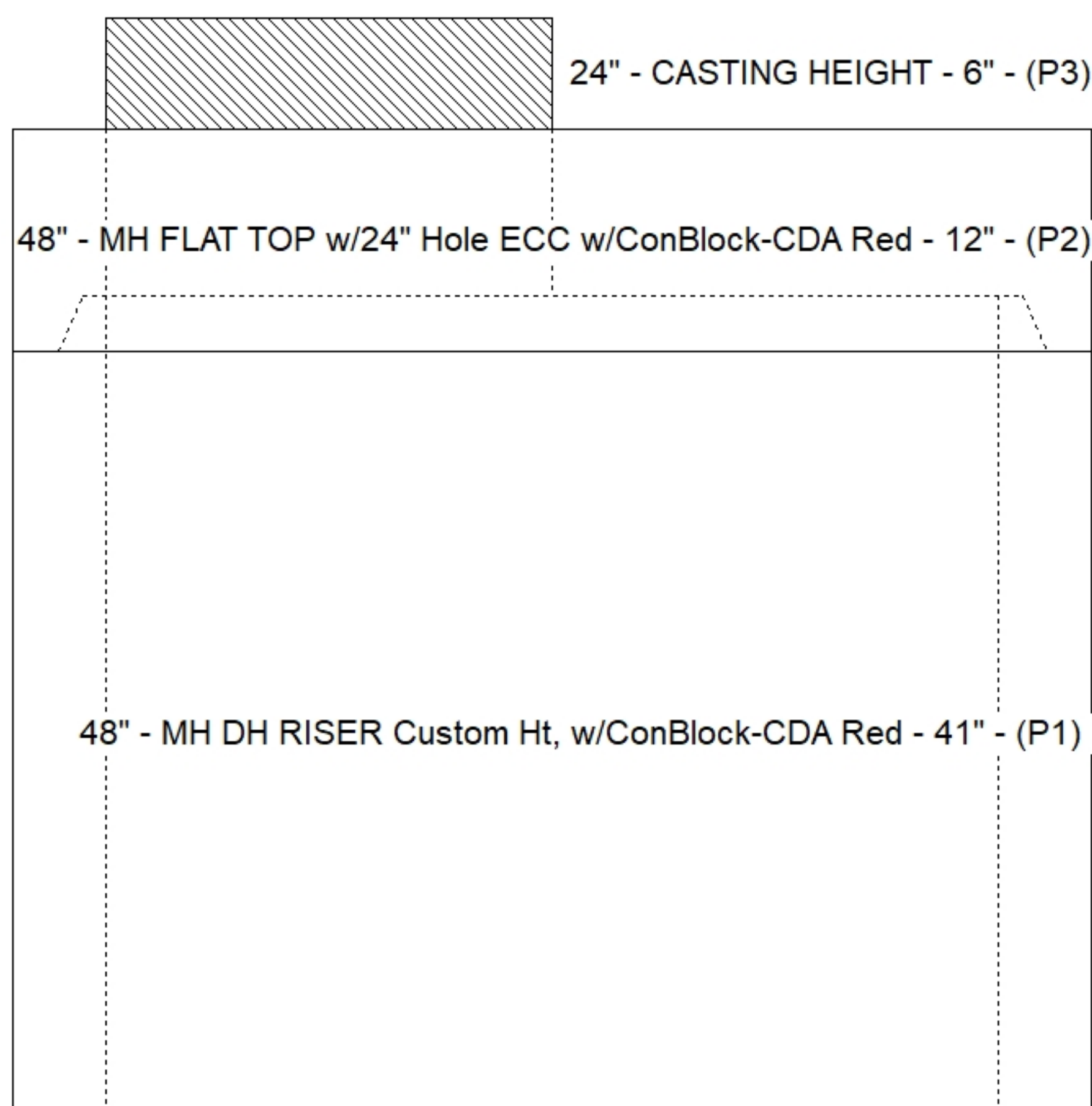
1. JBS-1155 SANITARY PROVIDED BY ICAST.
2. PER ASTM C478 SPECIFICATIONS.
3. CONCRETE = 4,500 PSI AT 28 DAYS.
4. ADMIXTURE = CONBLOCK CDA RED.
5. REINFORCING PER ASTM A615 (GRADE 60).
  - TOP SLAB (As .62) #5 BARS AT 6" C.C.E.W..
  - RISER/WALLS (As .12)
6. VERIFY ALL ELEVATIONS, NO ELEVATIONS PROVIDED IN THE PLANS.

**STRUCTURE SUMMARY:**

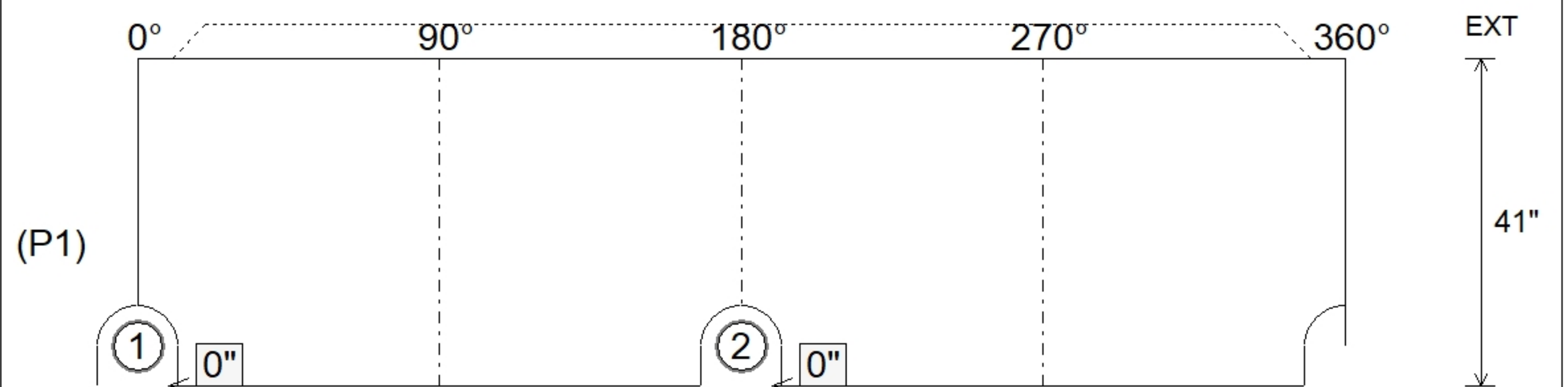
P3) 24" - CASTING HEIGHT - 6"	0 lb
P2) 48" - MH FLAT TOP w/24" Hole ECC w/ConBlock-CDA Red - 12"	1580 lb
P1) 48" - MH DH RISER Custom Ht, w/ConBlock-CDA Red - 41"	2789 lb
1) CASTING - JBS 1155 F/C VENTED	250 lb
1) 48" - Conseal CS-102 1.00" (Double)	0 lb
2) DOGHOUSE - 10"x10"	0 lb
3) MH Step ML-10-TDS-NCR - 10"	0 lb
<b>Structure Total:</b>	<b>4619 lb</b>



Position	Elev	Angle	Pipe	Pipe OD	Hole	Connector	Up ( )	Ref
Rim	526.03'							
Reducer								
Invert 1	521.27'	0°	6" PVC SDR21	6.625"	10" x 10"	DOGHOUSE 10"x10"	0"	P1
Invert 2	521.27'	180°	6" PVC SDR21	6.625"	10" x 10"	DOGHOUSE 10"x10"	0"	P1
Invert 3								
Invert 4								
Invert 5								
Invert 6								
Invert 7								
Invert 8								



**Default - Interior Dimensions**



Submittal Drawing  
10/23/2025 7:43:36 AM

SUBMITTAL  
APPROVED BY: