

Job Name: 25-2511D Bluesky Sec. 1 (FORCE MAIN)
 Job Location: Clarksville, TN
 Contractor: Byard Construction, LLC

Plant: Beaver Dam

Tech: J. Coppage

10/21/2025 12:05:41 PM

PC: A. Chambers



Structure ID: 12+00 ARV 64

P1 MH048DHFCDARED

MH DH RISER Custom Ht, w/ConBlock-CDA Red

- P3) 24" - CASTING HEIGHT - 6"
- P2) 48" - MH FLAT TOP w/24" Hole ECC w/ConBlock-CDA Red - 12"
- P1) 48" - MH DH RISER Custom Ht, w/ConBlock-CDA Red - 41"
- 1) CASTING - JBS 1155 F/C VENTED
- 1) 48" - Conseal CS-102 1.00" (Double)
- 2) DOGHOUSE - 10"x10"
- 3) MH Step ML-10-TDS-NCR - 10"

0 lb
 1580 lb
 2789 lb
 250 lb
 0 lb
 0 lb
 0 lb

 Structure Total: 4619 lb

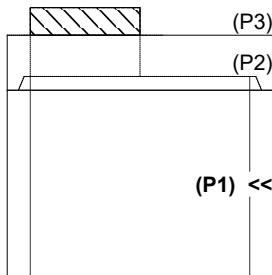
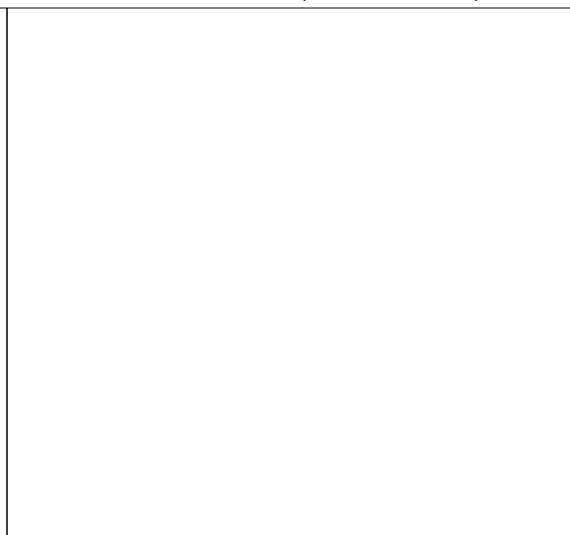
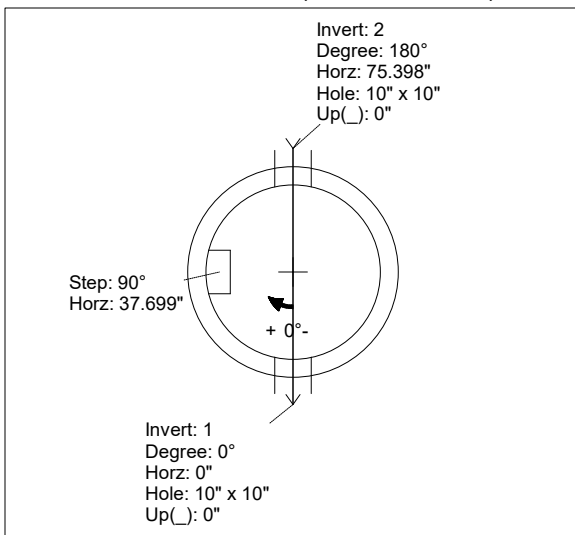
- Structure Notes:
1. JBS-1155 VENTED PROVIDED BY ICAST.
 2. PER ASTM C478 SPECIFICATIONS.
 3. CONCRETE = 4,500 PSI AT 28 DAYS.
 4. ADMIXTURE = CONBLOCK CDA RED.
 5. REINFORCING PER ASTM A615 (GRADE 60).
 - TOP SLAB (As .62) #5 BARS AT 6" C.C.E.W..
 - RISER/WALLS (As .12)

Rim: 526.03' Rim to Invert: 4.76' Slack: 0.12" Sump: 2" Step Position: 90°

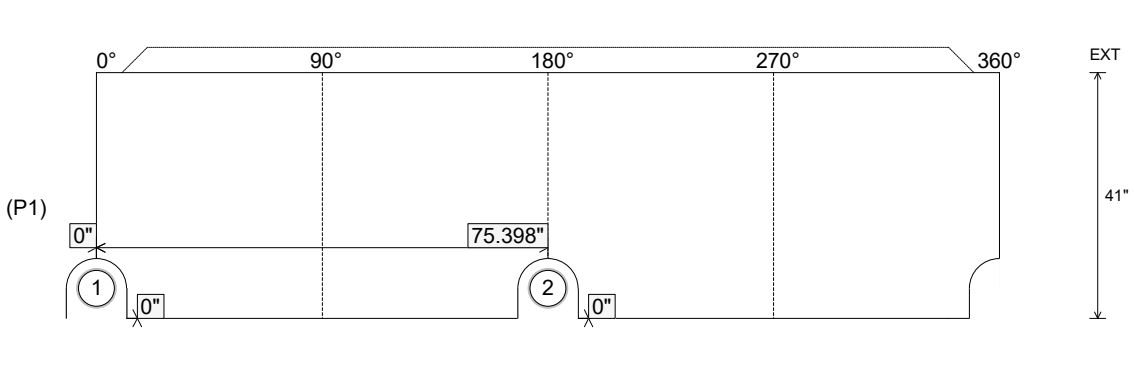
Position	Elev	Angle	Ext. (cw)	Pipe	Pipe OD	Connector	Hole	Horz Size	Up (↓)	Offset
Invert 1	521.27'	0°	0"	6" PVC SDR21	6.625"	DOGHOUSE 10"x10"	10" x 10"	10.074"	0"	0"
Invert 2	521.27'	180°	91.106"	6" PVC SDR21	6.625"	DOGHOUSE 10"x10"	10" x 10"	10.074"	0"	0"
Invert 3										
Invert 4										
Invert 5										
Invert 6										
Invert 7										
Invert 8										

RIGHT-SIDE UP VIEW (int. dimensions)

UPSIDE-DOWN VIEW (int. dimenions)



INSIDE WALL DIMENSIONS



Coating (Int): Coating (Ext):	Seam Up: Tongue Seam Dn: Flat	Wall Thickness: 5" Floor Height: 0"	Height (Int): 41" Height (Ext): 41"	Weight (Net): 2789 lb Volume (Net): 0.71cu.yd
----------------------------------	----------------------------------	--	--	--