

Job Name: 25-2511C Blue Sky Sec. 1
 Job Location: Clarksville, TN
 Contractor: Byard Construction, LLC

Plant: Beaver Dam, KY
 10/21/2025 1:51:38 PM

Tech: J. Coppage
 PC: Andrew Chamber



Structure ID: SSMH-D1

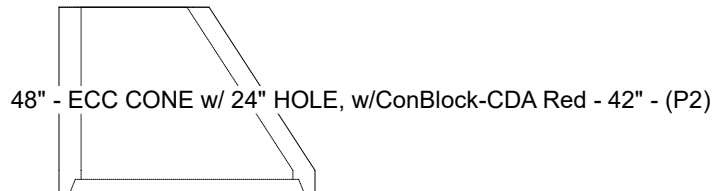
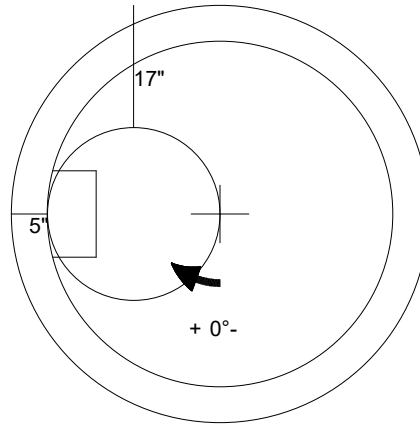
P2 MH048CN42CDARED

ECC CONE w/ 24" HOLE, w/ConBlock-CDA Red

- P3) 24" - CASTING HEIGHT - 6"
- P2) 48" - ECC CONE w/ 24" HOLE, w/ConBlock-CDA Red - 42"
- P1) 48" - MH BASE w/ConBlock-CDA Red - 30"
- 1) 48" - MH INVERT CHANNEL - FULL HEIGHT
- 1) JOINT WRAP - 0.065"x6"x50' CONSEAL CS212
- 1) JOINT WRAP PRIMER - CONSEAL CS-75 (1 gal.)
- 1) CASTING - JBS 1155 F/C SANITARY
- 1) 48" - Conseal CS-102 1.00" (Double)
- 2) PSX - 12-08 NYLO
- 6) MH Step ML-10-TDS-NCR - 10"

0 lb Structure Notes:
 3116 lb 1. PER ASTM C478 SPECIFICATIONS.
 3330 lb 2. CONCRETE = 4,000 PSI AT 28 DAYS.
 1440 lb 3. ADMIXTURE = CONBLOCK CDA RED.
 0 lb 4. CASTING JBS 1155 "Sanitary" BY ICAST
 0 lb
 250 lb REINFORCING PER ASTM A615 (GRADE 60).
 0 lb - CONE (As .12)
 16 lb - RISER/WALLS (As .12)
 0 lb - FLOOR (As .31) #5 BARS AT 12" C.C.E.W.

Structure Total: 8153 lb



48" - ECC CONE w/ 24" HOLE, w/ConBlock-CDA Red - 42" - (P2)

Coating (Int): Coating (Ext):	Seam Up: Flat Seam Dn: Groove	Wall Thickness: 5"	Height (Ext): 42"	Weight (Net): 3116 lb Volume (Net): 0.8cu.yd
----------------------------------	----------------------------------	--------------------	-------------------	---