

Job Name: 25-2511C Blue Sky Sec. 1
 Job Location: Clarksville, TN
 Contractor: Byard Construction, LLC

Plant: Beaver Dam, KY
 10/21/2025 1:51:36 PM

Tech: J. Coppage
 PC: Andrew Chamber



Structure ID: SSMH-C5

P2 MH048CN36CDARED

ECC CONE w/ 24" HOLE, w/ConBlock-CDA Red

- P3) 24" - CASTING HEIGHT - 6"
- P2) 48" - ECC CONE w/ 24" HOLE, w/ConBlock-CDA Red - 36"
- P1) 48" - MH BASE w/ConBlock-CDA Red - 36"
- 1) 48" - MH INVERT CHANNEL - FULL HEIGHT
- 1) JOINT WRAP - 0.065"x6"x50' CONSEAL CS212
- 1) JOINT WRAP PRIMER - CONSEAL CS-75 (1 gal.)
- 1) CASTING - JBS 1155 F/C SANITARY
- 1) 48" - Conseal CS-102 1.00" (Double)
- 2) PSX - 12-08 NYLO
- 6) MH Step ML-10-TDS-NCR - 10"

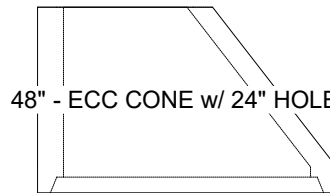
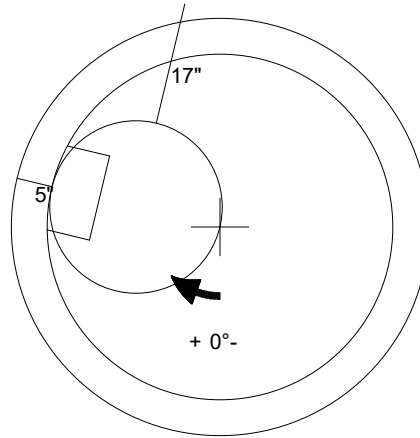
0 lb
 2251 lb
 3749 lb
 1440 lb
 0 lb
 0 lb
 250 lb
 0 lb
 16 lb
 0 lb

 7706 lb

Structure Notes:
 1. PER ASTM C478 SPECIFICATIONS.
 2. CONCRETE = 4,000 PSI AT 28 DAYS.
 3. ADMIXTURE = CONBLOCK CDA RED.
 4. CASTING JBS 1155 "Sanitary" BY ICAST

REINFORCING PER ASTM A615 (GRADE 60).
 - CONE (As .12)
 - RISER/WALLS (As .12)
 - FLOOR (As .31) #5 BARS AT 12" C.C.E.W.

Structure Total:



48" - ECC CONE w/ 24" HOLE, w/ConBlock-CDA Red - 36" - (P2)

Coating (Int):
 Coating (Ext):

Seam Up: Flat
 Seam Dn: Groove

Wall Thickness: 5"

Height (Ext): 36"

Weight (Net): 2251 lb
 Volume (Net): 0.57cu.yd