

Job Name: 25-2511C Blue Sky Sec. 1  
 Job Location: Clarksville, TN  
 Contractor: Byard Construction, LLC

Plant: Beaver Dam, KY  
 10/21/2025 1:50:32 PM

Tech: J. Coppage  
 PC: Andrew Chamber



**Structure ID: SSMH-B1**

**P1 MH048BA30CDARED**

**MH BASE w/ConBlock-CDA Red**

- P5) 24" - CASTING HEIGHT - 6"
- P4) 24" - GRADE RING w/ConBlock-CDA Red - 3"
- P3) 48" - ECC CONE w/ 24" HOLE, w/ConBlock-CDA Red - 36"
- P2) 48" - MH RISER w/ConBlock-CDA Red - 48"
- P1) 48" - MH BASE w/ConBlock-CDA Red - 30"
- 1) 48" - MH INVERT CHANNEL - FULL HEIGHT
- 1) JOINT WRAP - 0.065"x6"x50' CONSEAL CS212
- 1) JOINT WRAP PRIMER - CONSEAL CS-75 (1 gal.)
- 1) CASTING - JBS 1155 F/C SANITARY
- 2) 48" - Conseal CS-102 1.00" (Double)
- 2) PSX - 12-08 NYLO
- 9) MH Step ML-10-TDS-NCR - 10"

- Structure Notes:**
1. PER ASTM C478 SPECIFICATIONS.
  2. CONCRETE = 4,000 PSI AT 28 DAYS.
  3. ADMIXTURE = CONBLOCK CDA RED.
  4. CASTING JBS 1155 "Sanitary" BY ICAST
- REINFORCING PER ASTM A615 (GRADE 60).
- CONE (As .12)
  - RISER/WALLS (As .12)
  - FLOOR (As .31) #5 BARS AT 12" C.C.E.W.

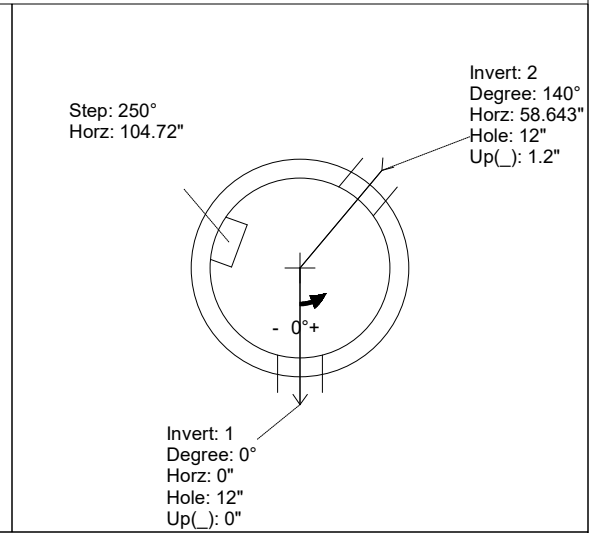
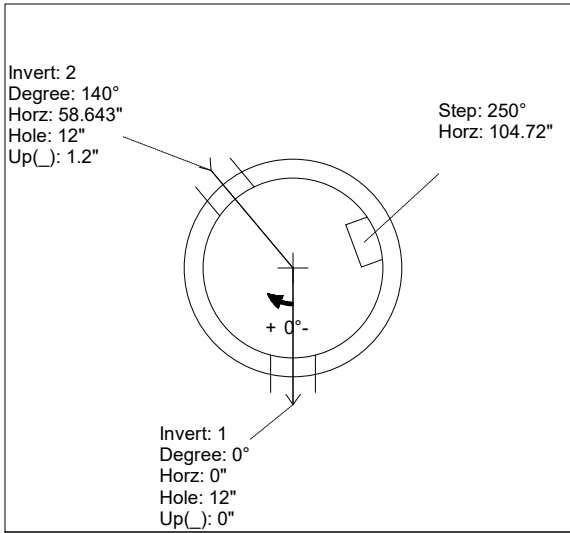
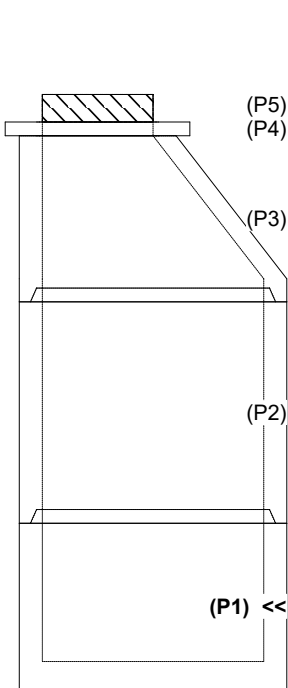
Structure Total: 10843 lb

Rim: 501.94' Rim to Invert: 10.16' Slack: 0.92" Sump: 2" Step Position: 250°

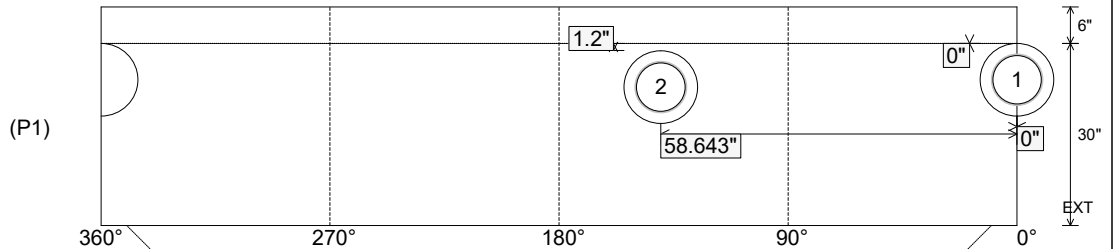
| Position | Elev    | Angle | Ext. (cw) | Pipe         | Pipe OD | Connector      | Hole | Horz Size | Up ( ) | Offset |
|----------|---------|-------|-----------|--------------|---------|----------------|------|-----------|--------|--------|
| Invert 1 | 491.78' | 0°    | 0"        | 8" PVC SDR26 | 8.5"    | PSX 12-08 NYLO | 12"  | 12.129"   | 0"     | 0"     |
| Invert 2 | 491.88' | 140°  | 70.86"    | 8" PVC SDR35 | 8.5"    | PSX 12-08 NYLO | 12"  | 12.129"   | 1.2"   | 0"     |
| Invert 3 |         |       |           |              |         |                |      |           |        |        |
| Invert 4 |         |       |           |              |         |                |      |           |        |        |
| Invert 5 |         |       |           |              |         |                |      |           |        |        |
| Invert 6 |         |       |           |              |         |                |      |           |        |        |
| Invert 7 |         |       |           |              |         |                |      |           |        |        |
| Invert 8 |         |       |           |              |         |                |      |           |        |        |

RIGHT-SIDE UP VIEW (int. dimensions)

UPSIDE-DOWN VIEW (int. dimensions)



INSIDE WALL DIMENSIONS



Coating (Int):  
 Coating (Ext):

Seam Up: Tongue  
 Seam Dn: n/a

Wall Thickness: 5"  
 Floor Height: 6"

Height (Int): 30"  
 Height (Ext): 36"

Weight (Net): 3330 lb  
 Volume (Net): 0.85cu.yd

Job Name: 25-2511C Blue Sky Sec. 1  
 Job Location: Clarksville, TN  
 Contractor: Byard Construction, LLC

Plant: Beaver Dam, KY  
 10/21/2025 1:50:32 PM

Tech: J. Coppage  
 PC: Andrew Chamber



**Structure ID: SSMH-B1**

**P1 MH048BA30CDARED**

**MH BASE w/ConBlock-CDA Red**

- P5) 24" - CASTING HEIGHT - 6"
- P4) 24" - GRADE RING w/ConBlock-CDA Red - 3"
- P3) 48" - ECC CONE w/ 24" HOLE, w/ConBlock-CDA Red - 36"
- P2) 48" - MH RISER w/ConBlock-CDA Red - 48"
- P1) 48" - MH BASE w/ConBlock-CDA Red - 30"
- 1) 48" - MH INVERT CHANNEL - FULL HEIGHT
- 1) JOINT WRAP - 0.065"x6"x50' CONSEAL CS212
- 1) JOINT WRAP PRIMER - CONSEAL CS-75 (1 gal.)
- 1) CASTING - JBS 1155 F/C SANITARY
- 2) 48" - Conseal CS-102 1.00" (Double)
- 2) PSX - 12-08 NYLO
- 9) MH Step ML-10-TDS-NCR - 10"

- Structure Notes:**
1. PER ASTM C478 SPECIFICATIONS.
  2. CONCRETE = 4,000 PSI AT 28 DAYS.
  3. ADMIXTURE = CONBLOCK CDA RED.
  4. CASTING JBS 1155 "Sanitary" BY ICAST
- REINFORCING PER ASTM A615 (GRADE 60).
- CONE (As .12)
  - RISER/WALLS (As .12)
  - FLOOR (As .31) #5 BARS AT 12" C.C.E.W.

Structure Total: 10843 lb

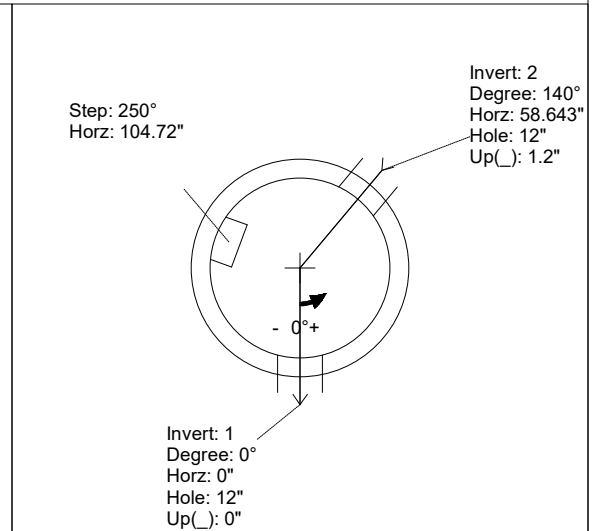
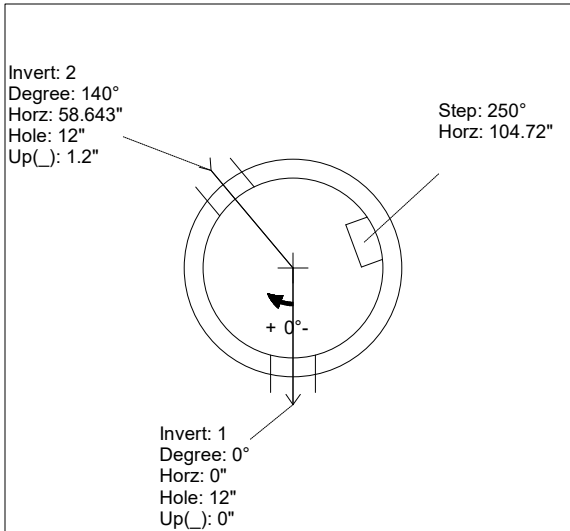
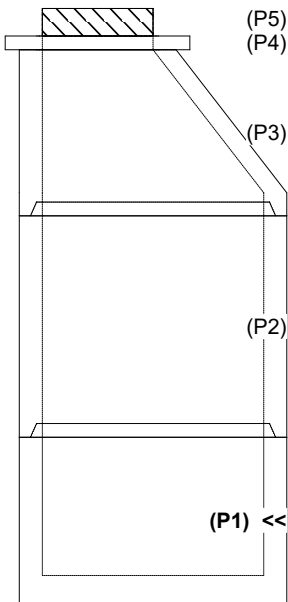
**INVERT CHANNEL DRAWING  
 FULL HEIGHT INVERT**

Rim: 501.94' Rim to Invert: 10.16' Slack: 0.92" Sump: 2" Step Position: 250°

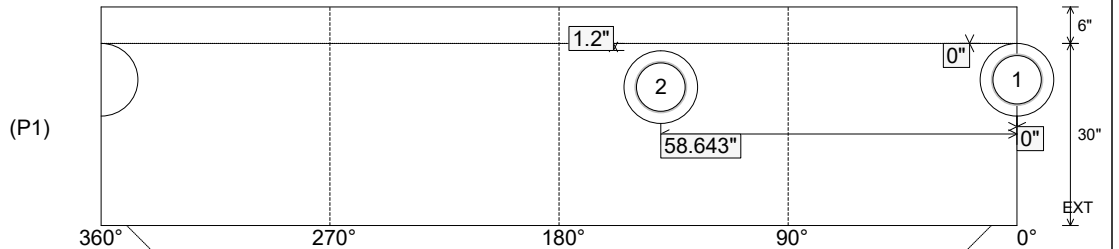
| Position | Elev    | Angle | Ext. (cw) | Pipe         | Pipe OD | Connector      | Hole | Horz Size | Up ( ) | Offset |
|----------|---------|-------|-----------|--------------|---------|----------------|------|-----------|--------|--------|
| Invert 1 | 491.78' | 0°    | 0"        | 8" PVC SDR26 | 8.5"    | PSX 12-08 NYLO | 12"  | 12.129"   | 0"     | 0"     |
| Invert 2 | 491.88' | 140°  | 70.86"    | 8" PVC SDR35 | 8.5"    | PSX 12-08 NYLO | 12"  | 12.129"   | 1.2"   | 0"     |
| Invert 3 |         |       |           |              |         |                |      |           |        |        |
| Invert 4 |         |       |           |              |         |                |      |           |        |        |
| Invert 5 |         |       |           |              |         |                |      |           |        |        |
| Invert 6 |         |       |           |              |         |                |      |           |        |        |
| Invert 7 |         |       |           |              |         |                |      |           |        |        |
| Invert 8 |         |       |           |              |         |                |      |           |        |        |

RIGHT-SIDE UP VIEW (int. dimensions)

UPSIDE-DOWN VIEW (int. dimensions)



INSIDE WALL DIMENSIONS



|                                  |                                 |  |  |  |
|----------------------------------|---------------------------------|--|--|--|
| Coating (Int):<br>Coating (Ext): | Seam Up: Tongue<br>Seam Dn: n/a | Wall Thickness: 5"<br>Floor Height: 6" | Height (Int): 30"<br>Height (Ext): 36" | Weight (Net): 3330 lb<br>Volume (Net): 0.85cu.yd |
|----------------------------------|---------------------------------|--|--|--|