

Job Name: 25-2511C Blue Sky Sec. 1
 Job Location: Clarksville, TN
 Contractor: Byard Construction, LLC

Plant: Beaver Dam, KY
 10/21/2025 1:51:31 PM

Tech: J. Copping
 PC: Andrew Chamber



Structure ID: SSMH-A5

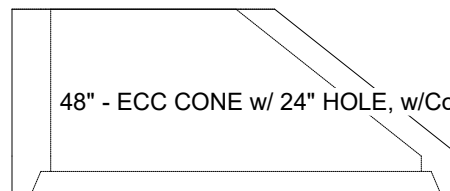
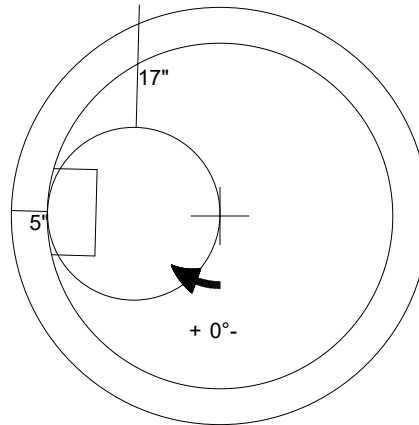
P3 MH048CN24CDARED

ECC CONE w/ 24" HOLE, w/ConBlock-CDA Red

- P4) 24" - CASTING HEIGHT - 6"
- P3) 48" - ECC CONE w/ 24" HOLE, w/ConBlock-CDA Red - 24"
- P2) 48" - MH RISER w/ConBlock-CDA Red - 48"
- P1) 48" - MH BASE w/ConBlock-CDA Red - 30"
- 1) 48" - MH INVERT CHANNEL - FULL HEIGHT
- 1) JOINT WRAP - 0.065"x6"x50' CONSEAL CS212
- 1) JOINT WRAP PRIMER - CONSEAL CS-75 (1 gal.)
- 1) CASTING - JBS 1155 F/C SANITARY
- 2) 48" - Conseal CS-102 1.00" (Double)
- 2) PSX - 12-08 NYLO
- 8) MH Step ML-10-TDS-NCR - 10"

- 0 lb Structure Notes:
- 1738 lb 1. PER ASTM C478 SPECIFICATIONS.
 - 3353 lb 2. CONCRETE = 4,000 PSI AT 28 DAYS.
 - 3330 lb 3. ADMIXTURE = CONBLOCK CDA RED.
 - 1440 lb 4. CASTING JBS 1155 "Sanitary" BY ICAST
 - 0 lb
 - 0 lb
 - 250 lb REINFORCING PER ASTM A615 (GRADE 60).
 - 0 lb - CONE (As .12)
 - 16 lb - RISER/WALLS (As .12)
 - 0 lb - FLOOR (As .31) #5 BARS AT 12" C.C.E.W.

Structure Total: 10128 lb



48 - ECC CONE w/ 24" HOLE, w/ConBlock-CDA Red - 24" - (P3)

Coating (Int):
 Coating (Ext):

Seam Up: Flat
 Seam Dn: Groove

Wall Thickness: 5"

Height (Ext): 24"

Weight (Net): 1738 lb
 Volume (Net): 0.44cu.yd