

Job Name: 25-2511C Blue Sky Sec. 1
 Job Location: Clarksville, TN
 Contractor: Byard Construction, LLC

Plant: Beaver Dam, KY
 10/21/2025 1:50:29 PM

Tech: J. Coppage
 PC: Andrew Chambe



Structure ID: SSMH-A4

P1 MH048BA36CDARED

MH BASE w/ConBlock-CDA Red

- P4) 24" - CASTING HEIGHT - 6"
- P3) 24" - GRADE RING w/ConBlock-CDA Red - 4"
- P2) 48" - ECC CONE w/ 24" HOLE, w/ConBlock-CDA Red - 42"
- P1) 48" - MH BASE w/ConBlock-CDA Red - 36"
- 1) 48" - MH INVERT CHANNEL - FULL HEIGHT
- 1) JOINT WRAP - 0.065"x6"x50' CONSEAL CS212
- 1) JOINT WRAP PRIMER - CONSEAL CS-75 (1 gal.)
- 1) CASTING - JBS 1155 F/C SANITARY
- 1) 48" - Conseal CS-102 1.00" (Double)
- 2) PSX - 12-08 NYLO
- 7) MH Step ML-10-TDS-NCR - 10"

- Structure Notes:**
1. PER ASTM C478 SPECIFICATIONS.
 2. CONCRETE = 4,000 PSI AT 28 DAYS.
 3. ADMIXTURE = CONBLOCK CDA RED.
 4. CASTING JBS 1155 "Sanitary" BY ICAST
- REINFORCING PER ASTM A615 (GRADE 60).
- CONE (As .12)
 - RISER/WALLS (As .12)
 - FLOOR (As .31) #5 BARS AT 12" C.C.E.W.

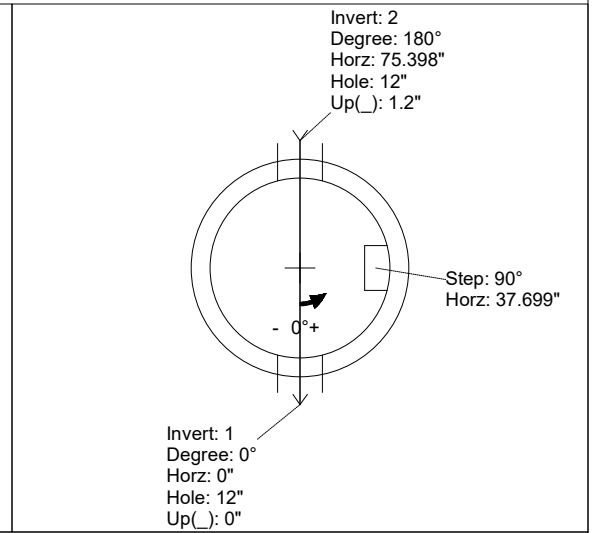
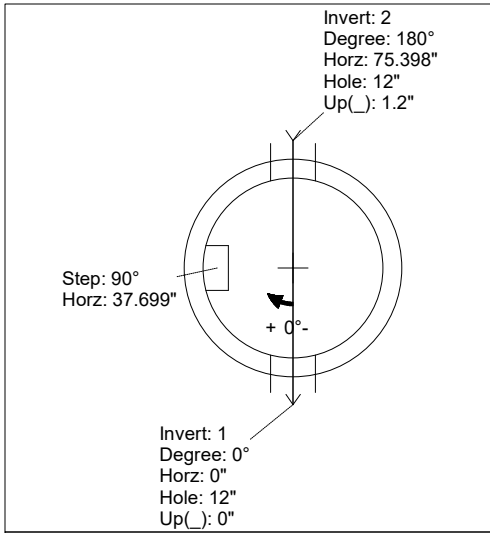
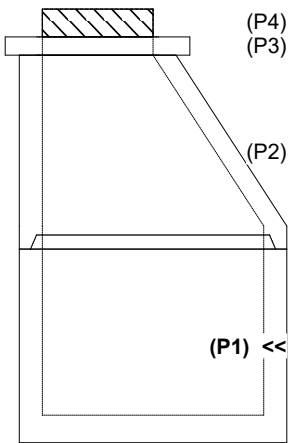
Structure Total: 8842 lb

Rim: 510.2' Rim to Invert: 7.26' Slack: 1.12" Sump: 2" Step Position: 90°

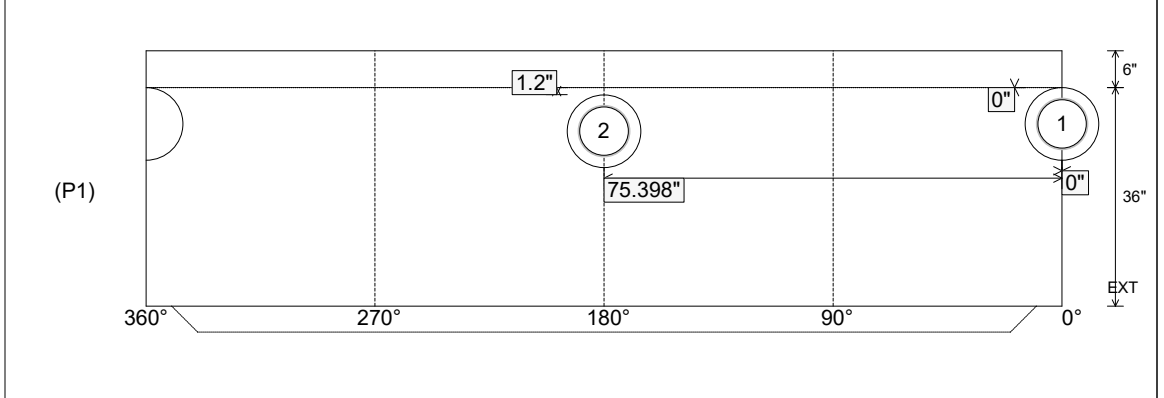
Position	Elev	Angle	Ext. (cw)	Pipe	Pipe OD	Connector	Hole	Horz Size	Up ()	Offset
Invert 1	502.94'	0°	0"	8" PVC SDR35	8.5"	PSX 12-08 NYLO	12"	12.129"	0"	0"
Invert 2	503.04'	180°	91.106"	8" PVC SDR35	8.5"	PSX 12-08 NYLO	12"	12.129"	1.2"	0"
Invert 3										
Invert 4										
Invert 5										
Invert 6										
Invert 7										
Invert 8										

RIGHT-SIDE UP VIEW (int. dimensions)

UPSIDE-DOWN VIEW (int. dimensions)



INSIDE WALL DIMENSIONS



Coating (Int): Coating (Ext):	Seam Up: Tongue Seam Dn: n/a	Wall Thickness: 5" Floor Height: 6"	Height (Int): 36" Height (Ext): 42"	Weight (Net): 3749 lb Volume (Net): 0.96cu.yd
----------------------------------	---------------------------------	--	--	--

Job Name: 25-2511C Blue Sky Sec. 1
 Job Location: Clarksville, TN
 Contractor: Byard Construction, LLC

Plant: Beaver Dam, KY
 10/21/2025 1:50:29 PM

Tech: J. Coppage
 PC: Andrew Chambe



Structure ID: SSMH-A4

P1 MH048BA36CDARED

MH BASE w/ConBlock-CDA Red

- P4) 24" - CASTING HEIGHT - 6"
- P3) 24" - GRADE RING w/ConBlock-CDA Red - 4"
- P2) 48" - ECC CONE w/ 24" HOLE, w/ConBlock-CDA Red - 42"
- P1) 48" - MH BASE w/ConBlock-CDA Red - 36"
- 1) 48" - MH INVERT CHANNEL - FULL HEIGHT
- 1) JOINT WRAP - 0.065"x6"x50' CONSEAL CS212
- 1) JOINT WRAP PRIMER - CONSEAL CS-75 (1 gal.)
- 1) CASTING - JBS 1155 F/C SANITARY
- 1) 48" - Conseal CS-102 1.00" (Double)
- 2) PSX - 12-08 NYLO
- 7) MH Step ML-10-TDS-NCR - 10"

- Structure Notes:**
1. PER ASTM C478 SPECIFICATIONS.
 2. CONCRETE = 4,000 PSI AT 28 DAYS.
 3. ADMIXTURE = CONBLOCK CDA RED.
 4. CASTING JBS 1155 "Sanitary" BY ICAST
- REINFORCING PER ASTM A615 (GRADE 60).
- CONE (As .12)
 - RISER/WALLS (As .12)
 - FLOOR (As .31) #5 BARS AT 12" C.C.E.W.

Structure Total: 8842 lb

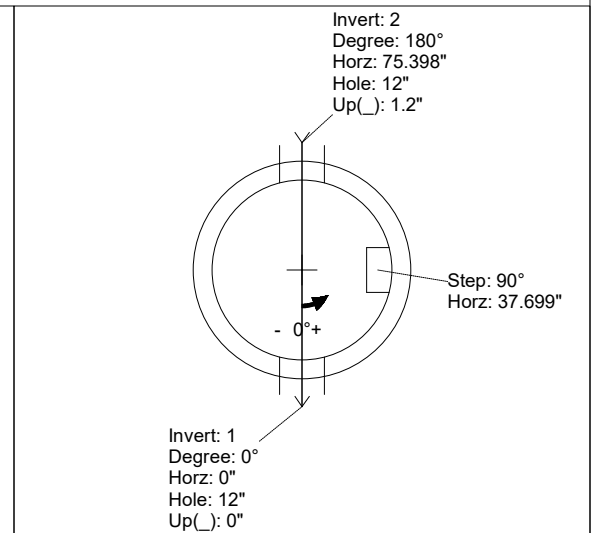
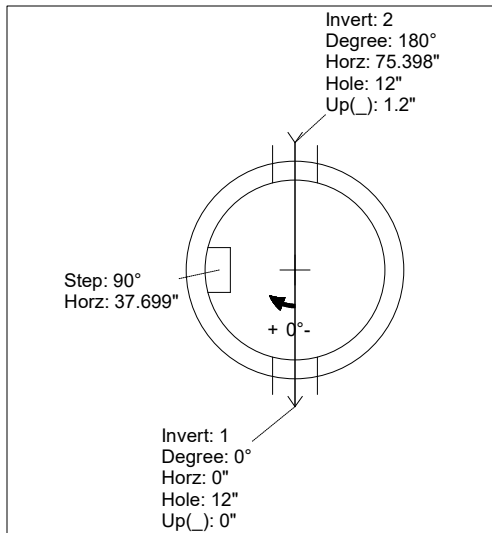
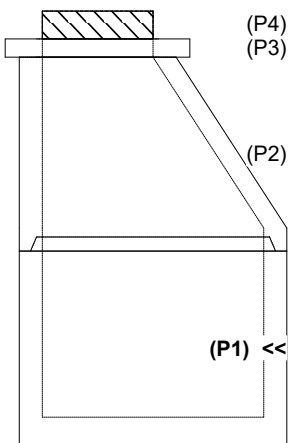
**INVERT CHANNEL DRAWING
 FULL HEIGHT INVERT**

Rim: 510.2' Rim to Invert: 7.26' Slack: 1.12" Sump: 2" Step Position: 90°

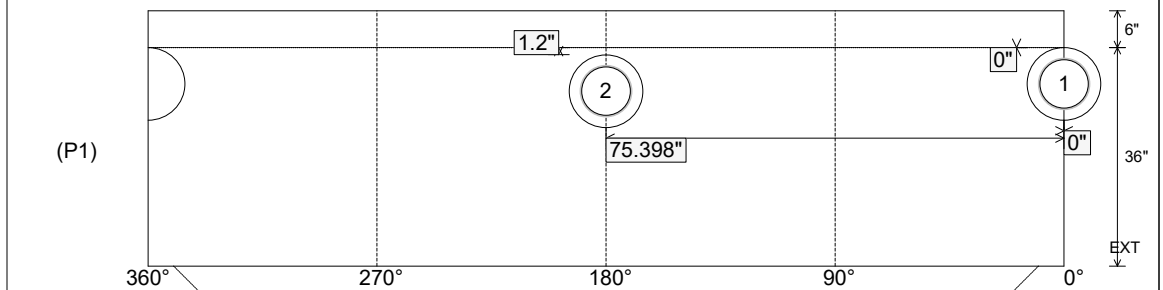
Position	Elev	Angle	Ext. (cw)	Pipe	Pipe OD	Connector	Hole	Horz Size	Up ()	Offset
Invert 1	502.94'	0°	0"	8" PVC SDR35	8.5"	PSX 12-08 NYLO	12"	12.129"	0"	0"
Invert 2	503.04'	180°	91.106"	8" PVC SDR35	8.5"	PSX 12-08 NYLO	12"	12.129"	1.2"	0"
Invert 3										
Invert 4										
Invert 5										
Invert 6										
Invert 7										
Invert 8										

RIGHT-SIDE UP VIEW (int. dimensions)

UPSIDE-DOWN VIEW (int. dimensions)



INSIDE WALL DIMENSIONS



Coating (Int): Coating (Ext):	Seam Up: Tongue Seam Dn: n/a	Wall Thickness: 5" Floor Height: 6"	Height (Int): 36" Height (Ext): 42"	Weight (Net): 3749 lb Volume (Net): 0.96cu.yd
----------------------------------	---------------------------------	--	--	--