

Job Name: 25-2511B - Blue Sky Sec 1 (Storm)	Plant: 100	Tech: J. Horsley - F
Job Location: Clarksville, TN	11/17/2025 5:02:03 PM	PC: A. Chambers
Contractor: Byard Construction, LLC		

Structure ID: Z

P1 MH048BA30

MH BASE Custom Ht F/n

P3) 24" - CASTING HEIGHT - 6"	0 lb
P2) 48" - MH FLAT TOP w/ 24" ECC Hole F/F - 7"	1286 lb
P1) 48" - MH BASE Custom Ht F/n - 30"	3032 lb
1) Conseal CS-102 1.00" (Single)	0 lb
1) CASTING - JBS 1155 F/C STORM	250 lb
2) Hole - 24	0 lb
Structure Total:	4568 lb

Structure Notes:

- PER ASTM C478 SPECIFICATIONS.
- CONCRETE = 4,000 PSI AT 28 DAYS.
- NO STEPS AND NO INVERT CHANNEL.
- CASTING BY I-CAST (JBS 1155 F/C STORM).

REINFORCING PER ASTM A615 (GRADE 60).

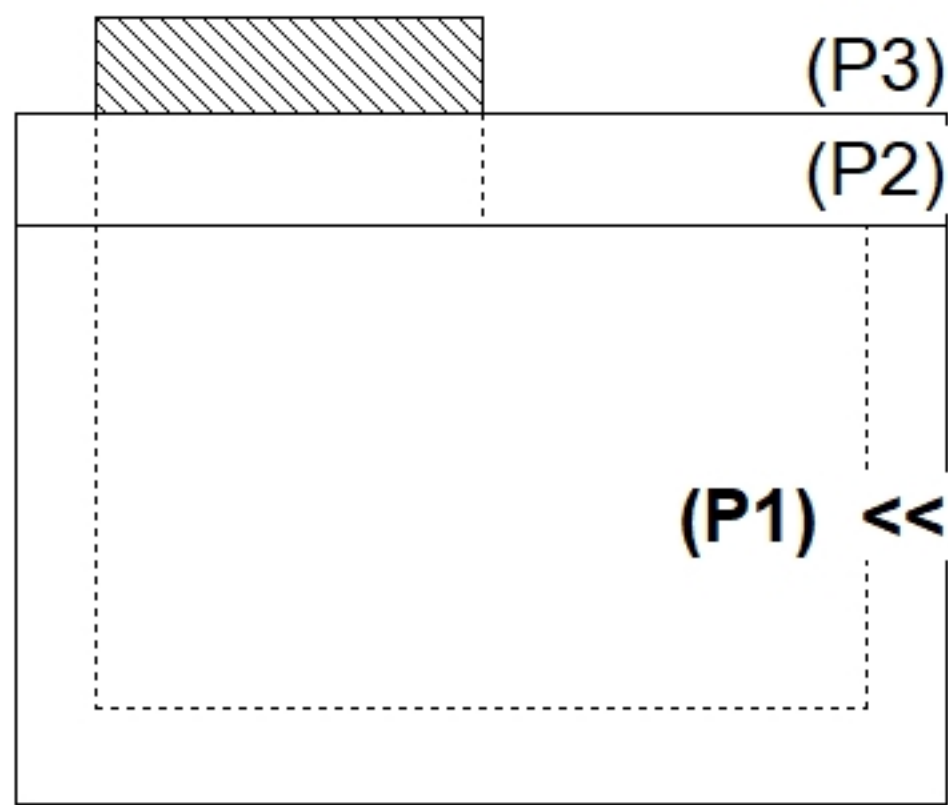
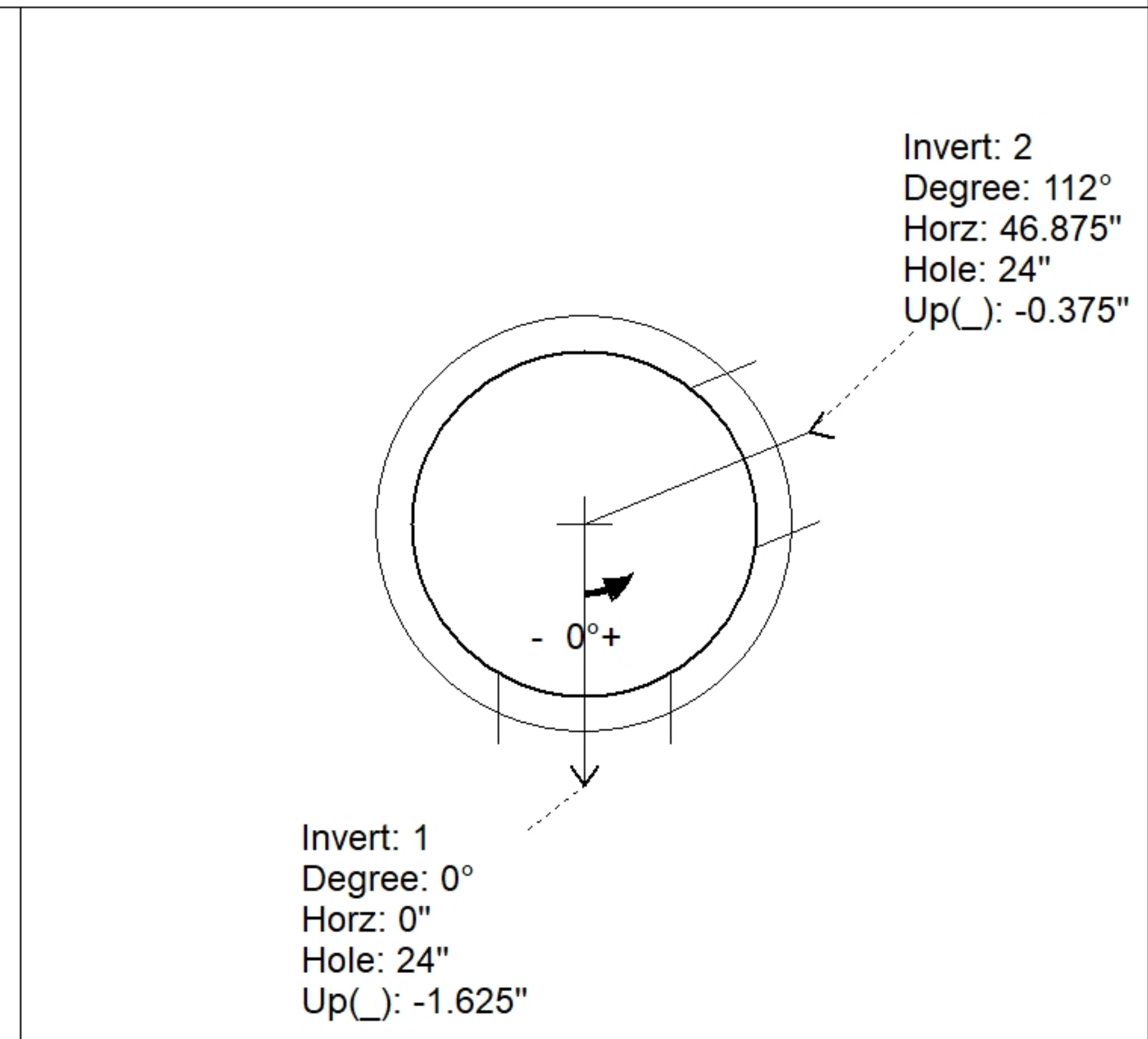
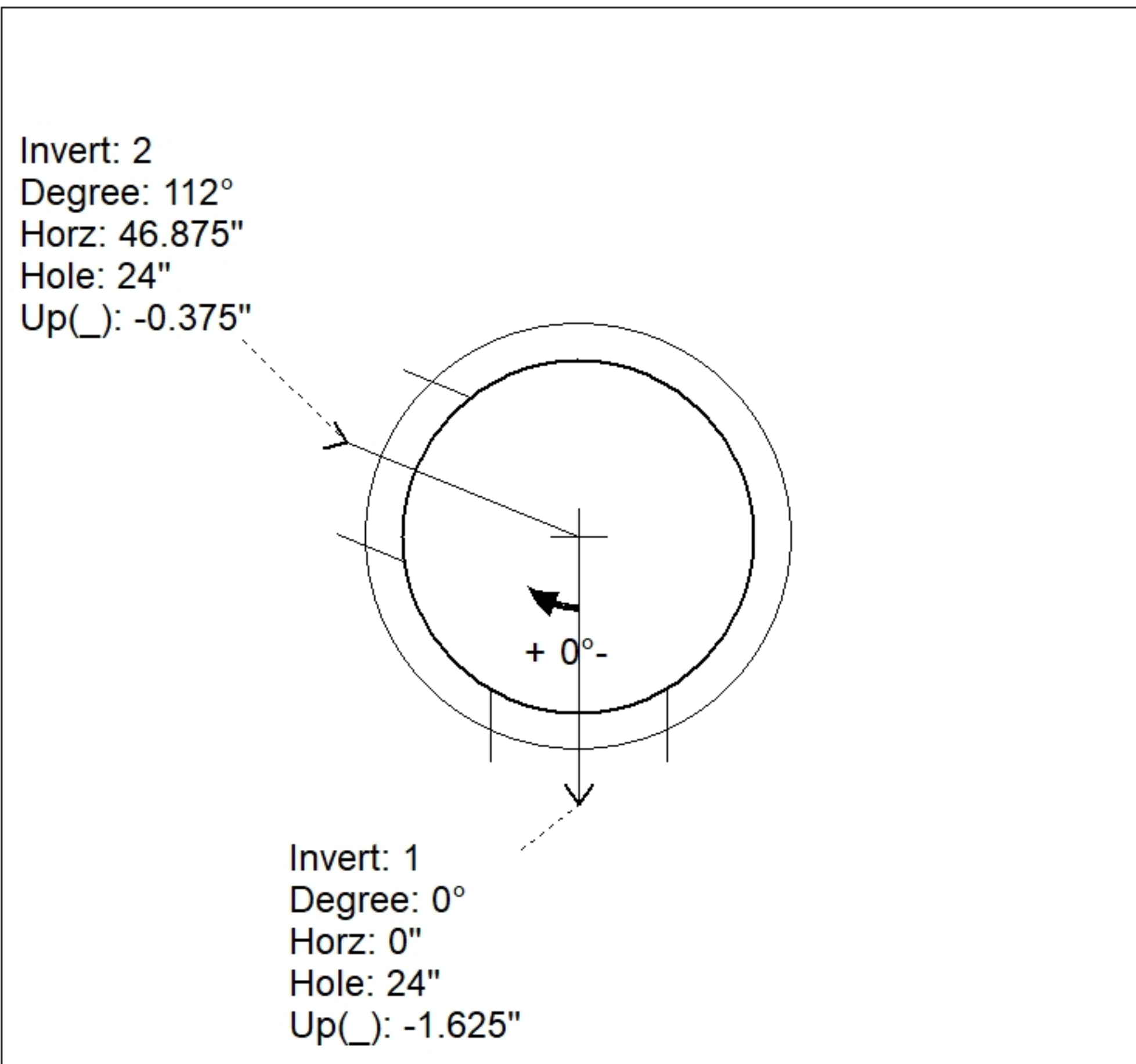
- TOP SLAB (As .62) #5 BARS AT 6" C.C.E.W..
- RISER/WALLS (As .12)
- FLOOR (As .31) #5 BARS AT 12" C.C.E.W

Rim: 504' Rim to Invert: 3.59' Slack: 0.08" Sump: 0" Step Position:

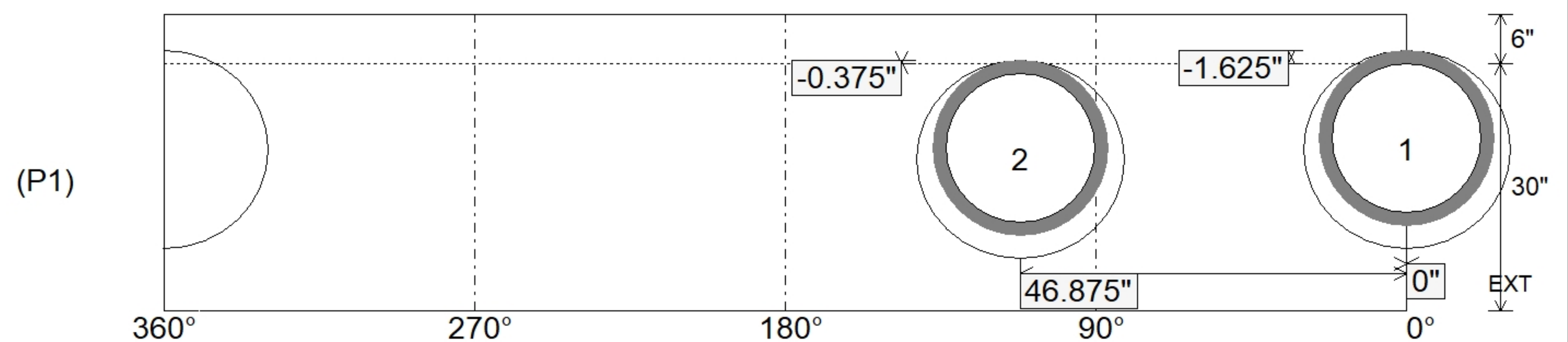
Position	Elev	Angle	Ext. (cw)	Pipe	Pipe OD	Connector	Hole	Horz Size	Up ()	Offset
Invert 1	500.41'	0°	0"	18" HDPE	21.2"	Hole 24	24"	25.133"	-1.625"	0"
Invert 2	500.51'	112°	56.75"	18" HDPE	21.2"	Hole 24	24"	25.133"	-0.375"	0"
Invert 3										
Invert 4										
Invert 5										
Invert 6										
Invert 7										
Invert 8										

RIGHT-SIDE UP VIEW (int. dimensions)

UPSIDE-DOWN VIEW (int. dimensions)



INSIDE WALL DIMENSIONS



Coating (Int):	Seam Up: Flat	Wall Thickness: 5"	Height (Int): 30"	Weight (Net): 3032 lb
Coating (Ext):	Seam Dn: n/a	Floor Height: 6"	Height (Ext): 36"	Volume (Net): 0.77cu.yd