

Job Name: 25-2511B - Blue Sky Sec 1 (Storm)

Job Location: Clarksville, TN

Contractor: Byard Construction, LLC

PC: A. Chambers

TECH: J. Horsley - F

Plant: 100



Structure ID: X

Spec: Storm

Type: STM.MH (Recessed pipe)

Size: 48"

Rim: 506.94'

Invert: 503.31'

Rim to Invert: 3.63'

Sump: 0"

Floor (Top): 503.31'

Floor Height: 6"

Floor (Bot): 502.81'

Overall Height: 4.083'

Slack: 0.56"

Structure Notes:

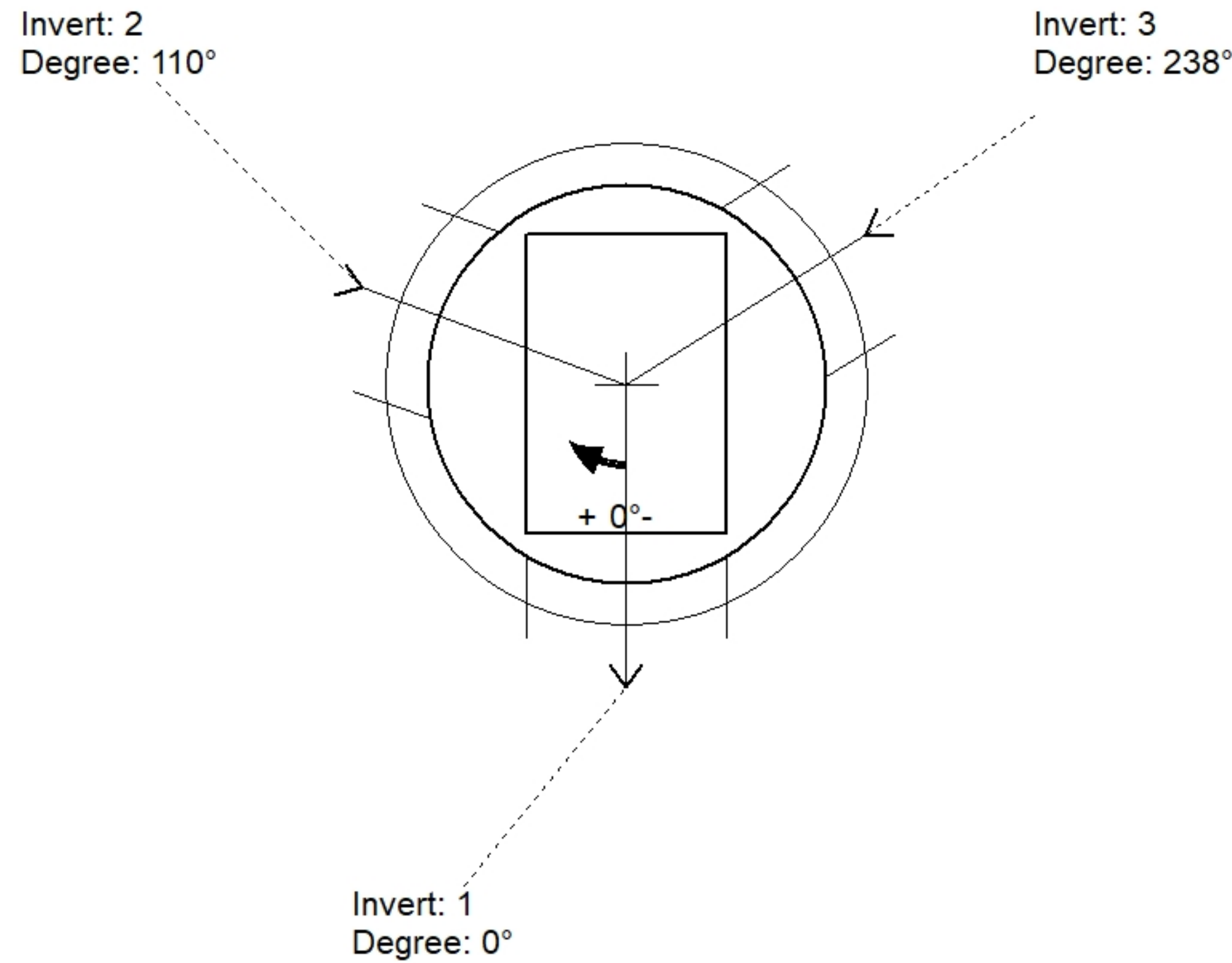
1. PER ASTM C478 SPECIFICATIONS.
2. CONCRETE = 4,000 PSI AT 28 DAYS.
3. NO STEPS AND NO INVERT CHANNEL.
4. CASTING BY I-CAST (JBS 3080-V SET (F/G/H)).

REINFORCING PER ASTM A615 (GRADE 60).

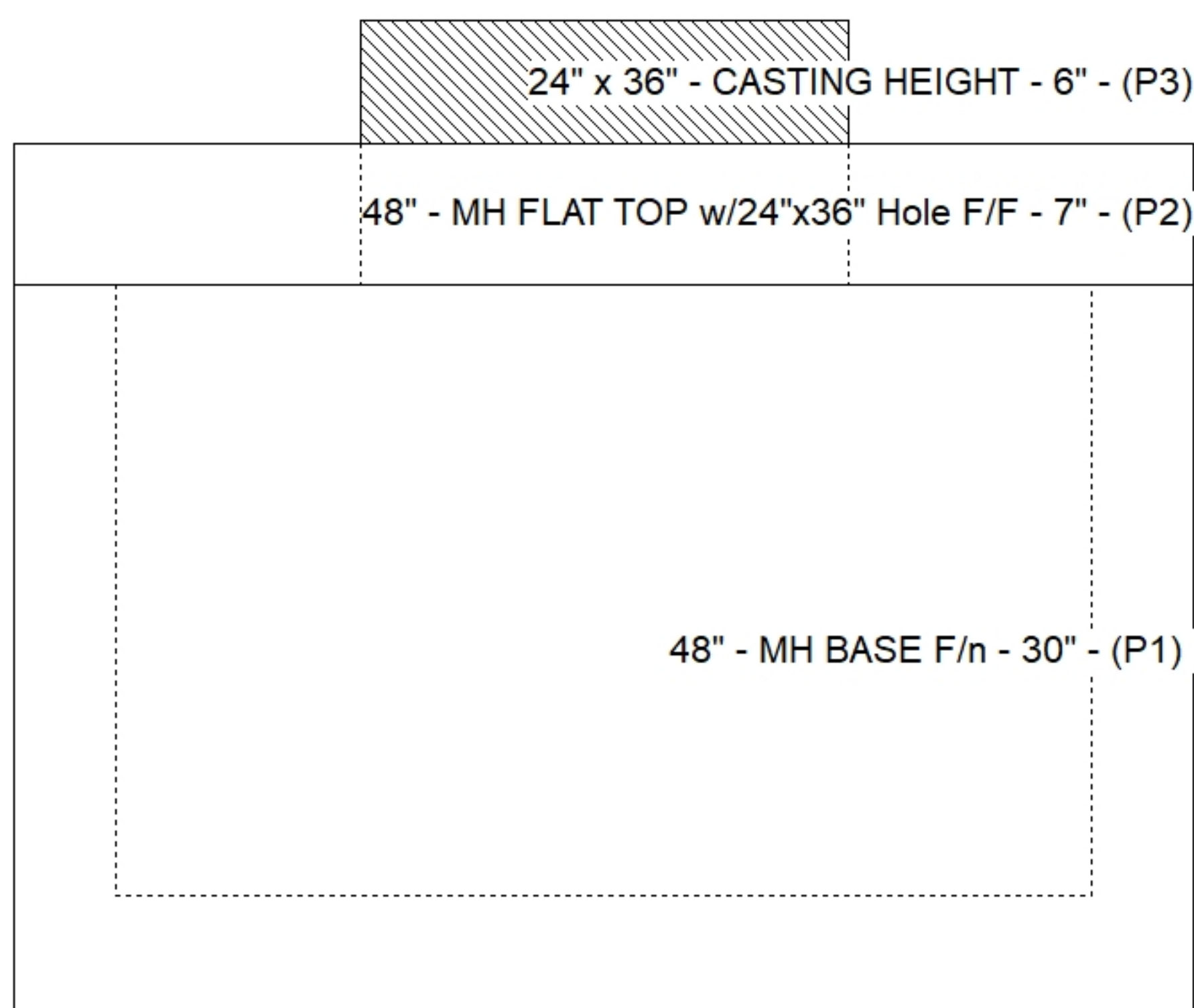
- TOP SLAB (As .62) #5 BARS AT 6" C.C.E.W..
- RISER/WALLS (As .12)
- FLOOR (As .31) #5 BARS AT 12" C.C.E.W.

STRUCTURE SUMMARY:

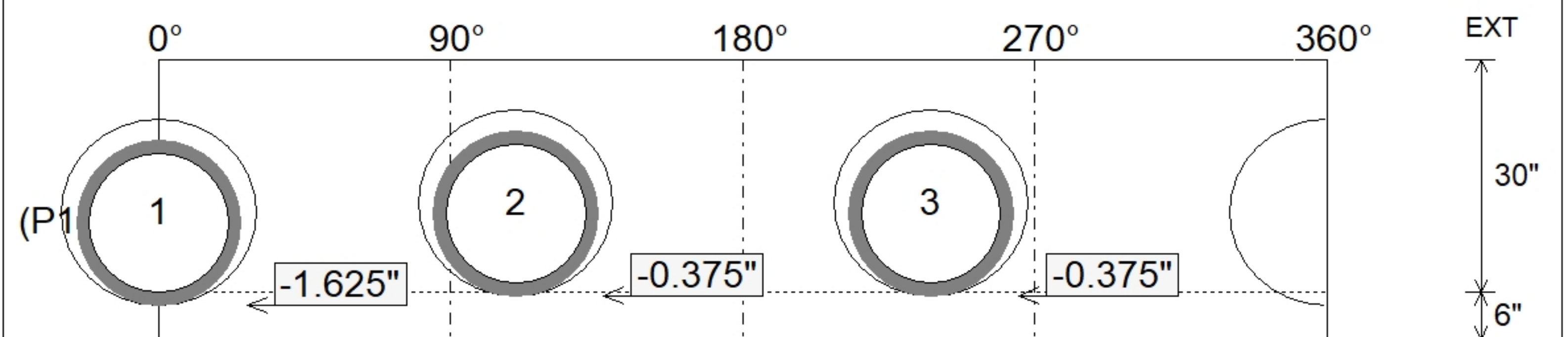
P3) 24" x 36" - CASTING HEIGHT - 6"	0 lb
P2) 48" - MH FLAT TOP w/24"x36" Hole F/F - 7"	1044 lb
P1) 48" - MH BASE F/n - 30"	2769 lb
1) Conseal CS-102 1.00" (Single)	0 lb
1) CASTING - JBS 3080-V SET (F/G/H)	500 lb
3) Hole - 24	0 lb
Structure Total:	4314 lb



Position	Elev	Angle	Pipe	Pipe OD	Hole	Connector	Up (L)	Ref
Rim	506.94'							
Reducer								
Invert 1	503.31'	0°	18" HDPE	21.2"	24"	Hole 24	-1.625"	P1
Invert 2	503.41'	110°	18" HDPE	21.2"	24"	Hole 24	-0.375"	P1
Invert 3	503.41'	238°	18" HDPE	21.2"	24"	Hole 24	-0.375"	P1
Invert 4								
Invert 5								
Invert 6								
Invert 7								
Invert 8								



Cast (Int. Dim.) - Interior Dimensions



Submittal Drawing
11/17/2025 4:59:39 PM

SUBMITTAL
APPROVED BY: