

Job Name: 25-2511B - Blue Sky Sec 1 (Storm)

Job Location: Clarksville, TN

Contractor: Byard Construction, LLC

PC: A. Chambers

TECH: J. Horsley - F

Plant: 100



Structure ID: R

Spec: Storm

Type: STM.MH

Size: 48"

Rim: 503.32'

Invert: 498.48'

Rim to Invert: 4.84'

Sump: 2.55"

Floor (Top): 498.268'

Floor Height: 6"

Floor (Bot): 497.768'

Overall Height: 5.5'

Slack: 0.63"

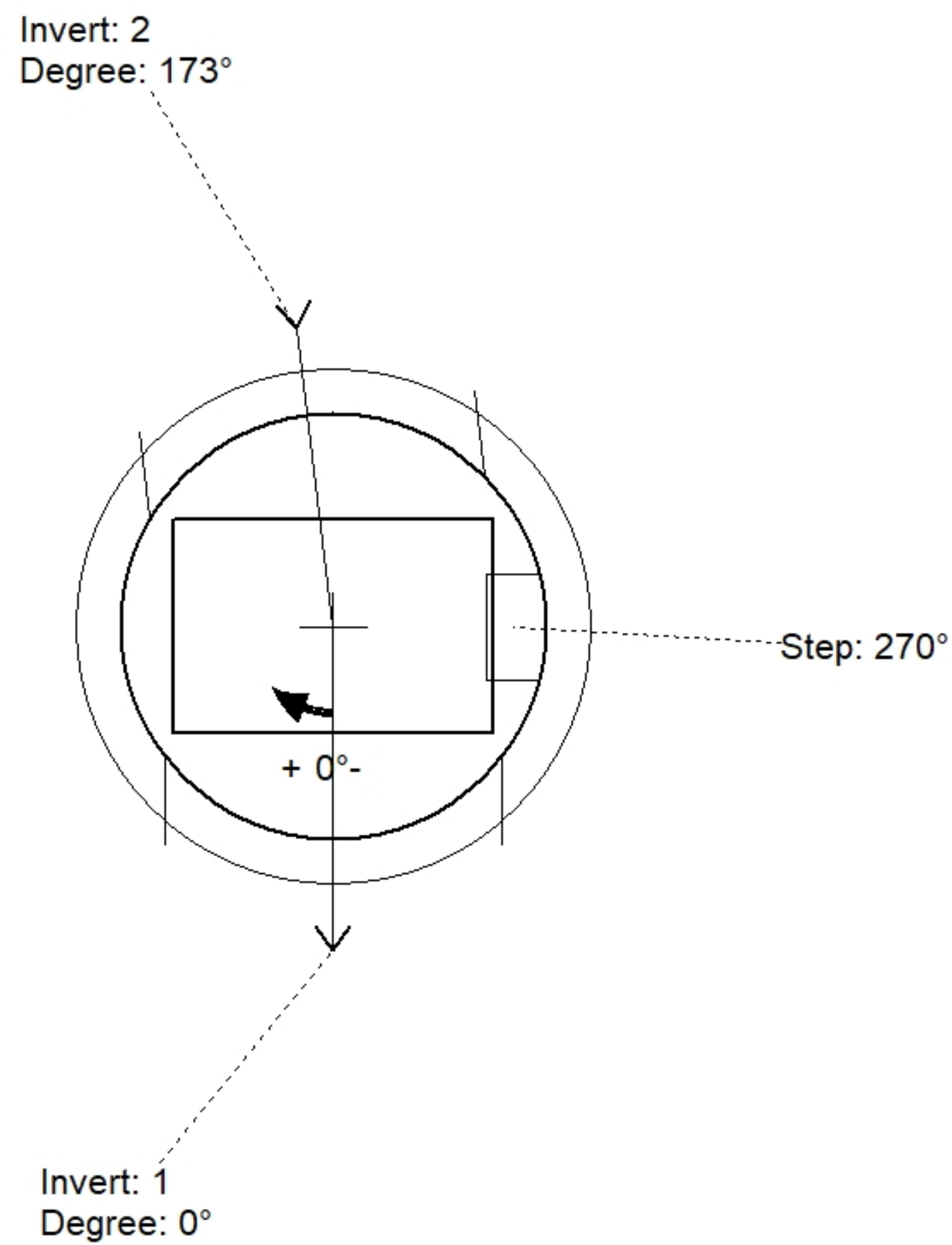
Structure Notes:

1. PER ASTM C478 SPECIFICATIONS.
2. CONCRETE = 4,000 PSI AT 28 DAYS.
3. NO INVERT CHANNEL.
4. CASTING BY I-CAST (JBS 3080-V SET F/G/H).

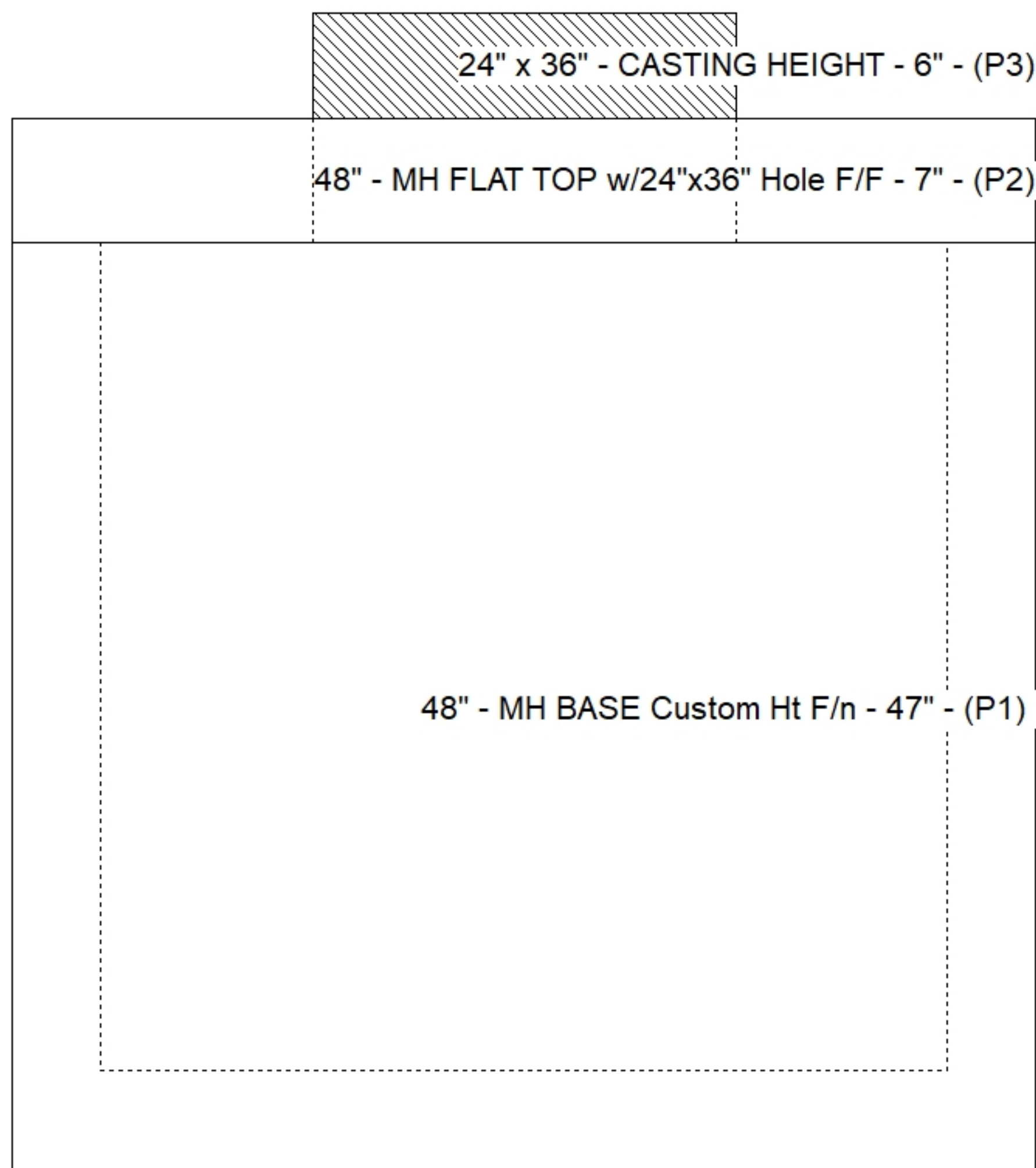
REINFORCING PER ASTM A615 (GRADE 60).
 - TOP SLAB (As .62) #5 BARS AT 6" C.C.E.W..
 - RISER/WALLS (As .12)
 - FLOOR (As .31) #5 BARS AT 12" C.C.E.W.

STRUCTURE SUMMARY:

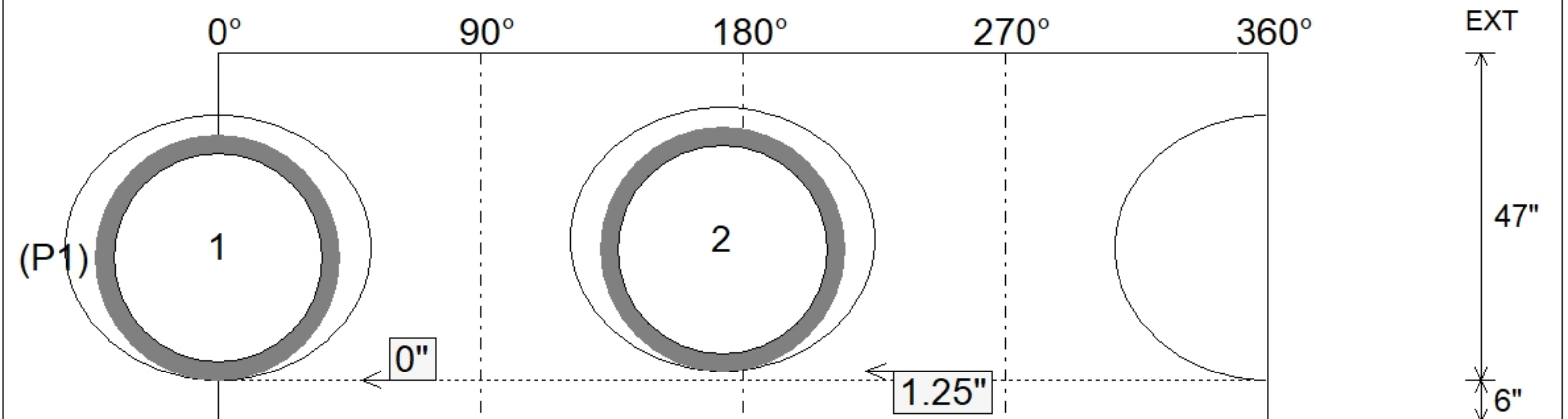
P3) 24" x 36" - CASTING HEIGHT - 6"	0 lb
P2) 48" - MH FLAT TOP w/24"x36" Hole F/F - 7"	1044 lb
P1) 48" - MH BASE Custom Ht F/n - 47"	3546 lb
1) Conseal CS-102 1.00" (Single)	0 lb
1) CASTING - JBS 3080-V SET (F/G/H)	500 lb
2) Hole - 38	0 lb
4) MH Step ML-10-TDS-NCR - 10"	0 lb
Structure Total:	5090 lb



Position	Elev	Angle	Pipe	Pipe OD	Hole	Connector	Up (L)	Ref
Rim	503.32'							
Reducer								
Invert 1	498.48'	0°	30" HDPE	35.1"	38"	Hole 38	0"	P1
Invert 2	498.58'	173°	30" HDPE	35.1"	38"	Hole 38	1.25"	P1
Invert 3								
Invert 4								
Invert 5								
Invert 6								
Invert 7								
Invert 8								



Cast (Int. Dim.) - Interior Dimensions



Submittal Drawing
 11/17/2025 4:59:35 PM

SUBMITTAL
 APPROVED BY: