

**Job Name: 25-2511B - Blue Sky Sec 1 (Storm)**  
**Job Location: Clarksville, TN**  
**Contractor: Byard Construction, LLC**

PC: A. Chambers  
 TECH: J. Horsley - F  
 Plant: 100



Structure ID: P  
 Spec: Storm  
 Type: STM.MH  
 Size: 48"

Rim: 505.97'  
 Invert: 501.85'  
 Rim to Invert: 4.12'

Sump: 1.9"  
 Floor (Top): 501.692'  
 Floor Height: 6"

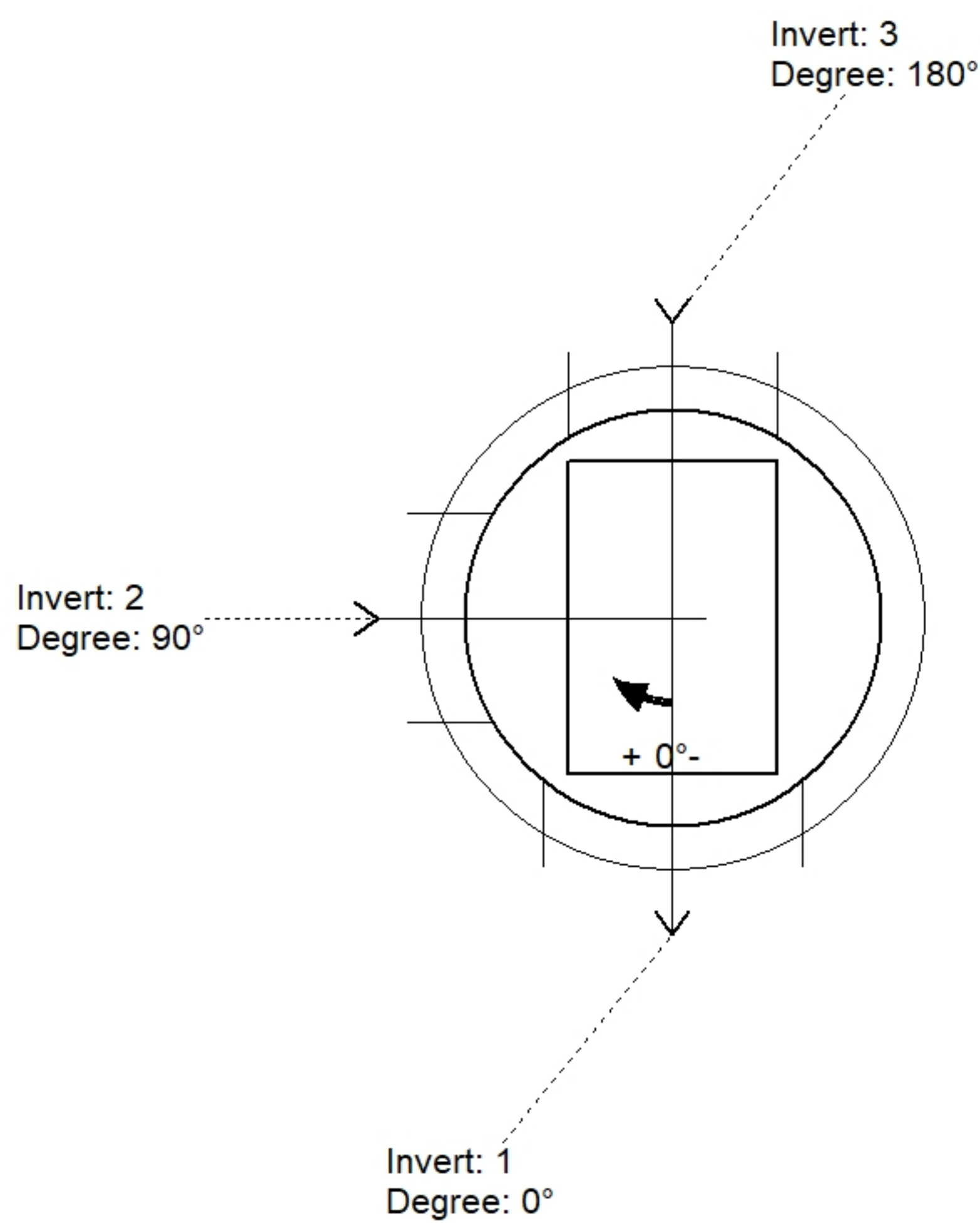
Floor (Bot): 501.192'  
 Overall Height: 4.75'  
 Slack: 0.34"

**Structure Notes:**

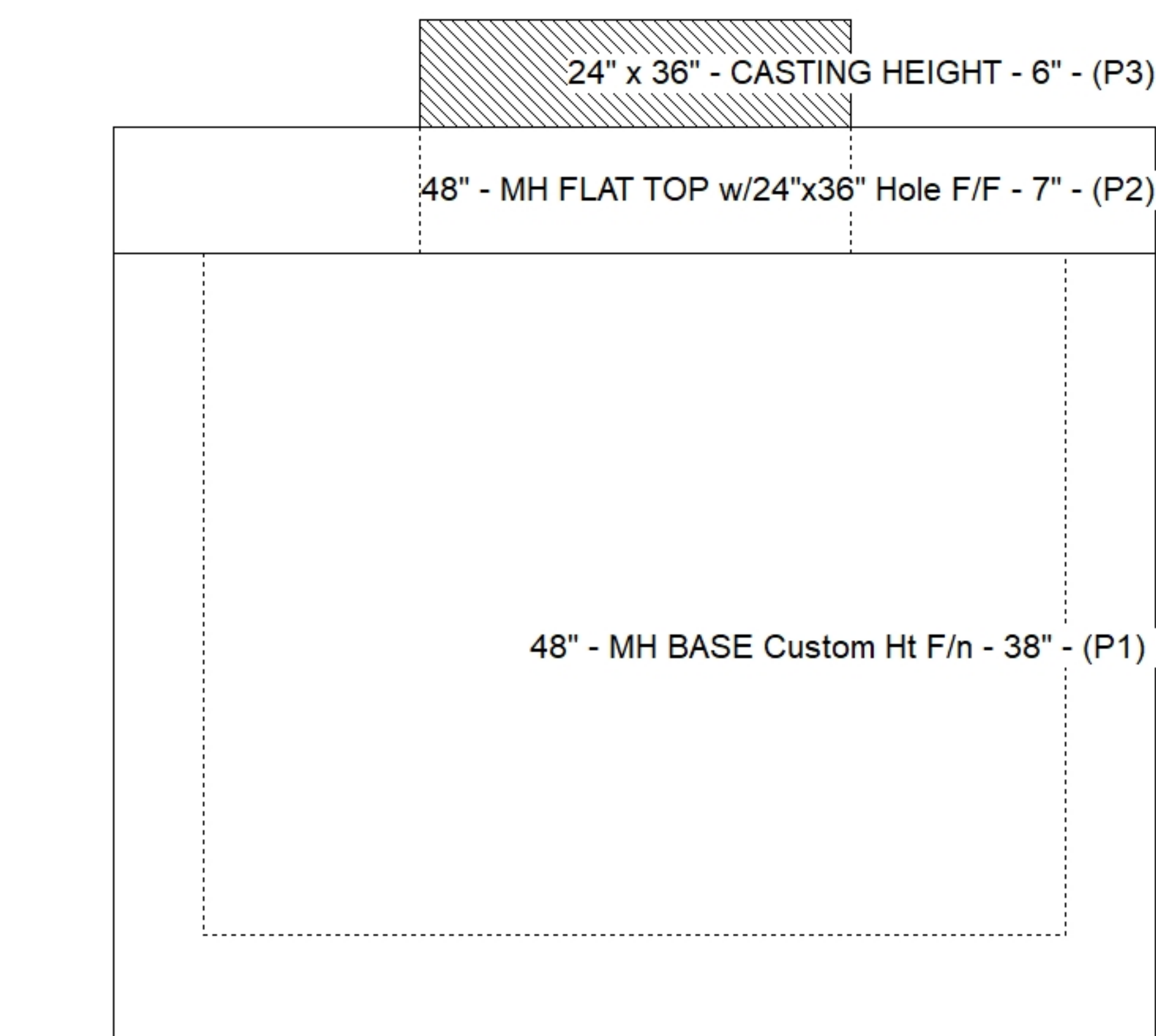
- PER ASTM C478 SPECIFICATIONS.
  - CONCRETE = 4,000 PSI AT 28 DAYS.
  - NO STEPS AND NO INVERT CHANNEL.
  - CASTING BY I-CAST (JBS 3080-V SET F/G/H).
- REINFORCING PER ASTM A615 (GRADE 60).  
 - TOP SLAB (As .62) #5 BARS AT 6" C.C.E.W..  
 - RISER/WALLS (As .12)  
 - FLOOR (As .31) #5 BARS AT 12" C.C.E.W.

**STRUCTURE SUMMARY:**

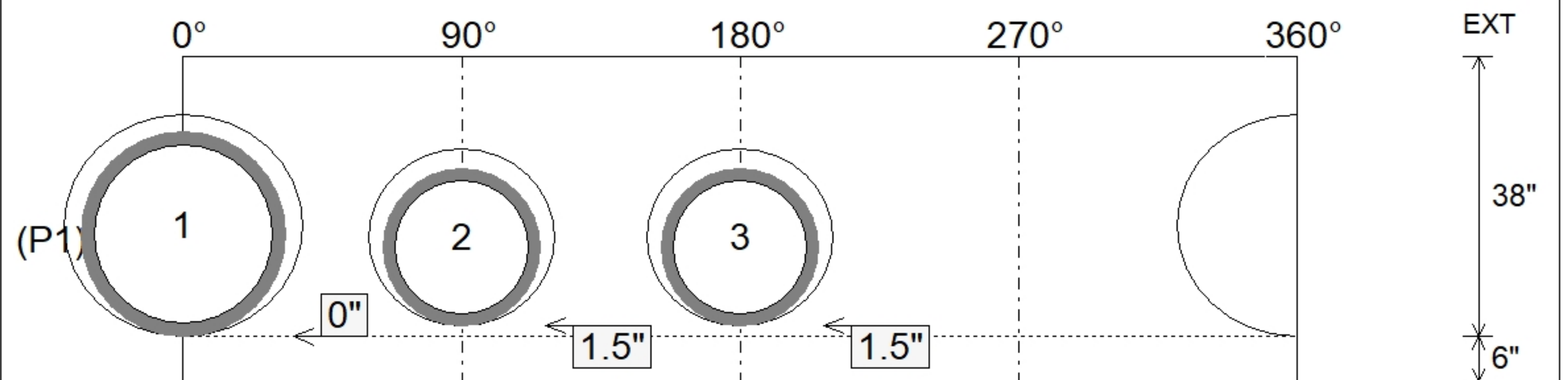
P3) 24" x 36" - CASTING HEIGHT - 6"	0 lb
P2) 48" - MH FLAT TOP w/24"x36" Hole F/F - 7"	1044 lb
P1) 48" - MH BASE Custom Ht F/n - 38"	3274 lb
1) Conseal CS-102 1.00" (Single)	0 lb
1) CASTING - JBS 3080-V SET (F/G/H)	500 lb
1) Hole - 30	0 lb
2) Hole - 24	0 lb
<b>Structure Total:</b>	<b>4819 lb</b>



Position	Elev	Angle	Pipe	Pipe OD	Hole	Connector	Up (")	Ref
Rim	505.97'							
Reducer								
Invert 1	501.85'	0°	24" HDPE	27.8"	30"	Hole 30	0"	P1
Invert 2	501.95'	90°	18" HDPE	21.2"	24"	Hole 24	1.5"	P1
Invert 3	501.95'	180°	18" HDPE	21.2"	24"	Hole 24	1.5"	P1
Invert 4								
Invert 5								
Invert 6								
Invert 7								
Invert 8								



**Cast (Int. Dim.) - Interior Dimensions**



Submittal Drawing  
 11/17/2025 4:59:33 PM

SUBMITTAL  
 APPROVED BY: