

Job Name: 25-2511B - Blue Sky Sec 1 (Storm)	Plant: 100	Tech: J. Horsley - F
Job Location: Clarksville, TN	11/17/2025 5:01:53 PM	PC: A. Chambers
Contractor: Byard Construction, LLC		

Structure ID: P

P1 MH048BAVF

MH BASE Custom Ht F/n

P3) 24" x 36" - CASTING HEIGHT - 6"	0 lb
P2) 48" - MH FLAT TOP w/24"x36" Hole F/F - 7"	1044 lb
P1) 48" - MH BASE Custom Ht F/n - 38"	3274 lb
1) Conseal CS-102 1.00" (Single)	0 lb
1) CASTING - JBS 3080-V SET (F/G/H)	500 lb
1) Hole - 30	0 lb
2) Hole - 24	0 lb
Structure Total:	4819 lb

Structure Notes:
 1. PER ASTM C478 SPECIFICATIONS.
 2. CONCRETE = 4,000 PSI AT 28 DAYS.
 3. NO STEPS AND NO INVERT CHANNEL.
 4. CASTING BY I-CAST (JBS 3080-V SET F/G/H).

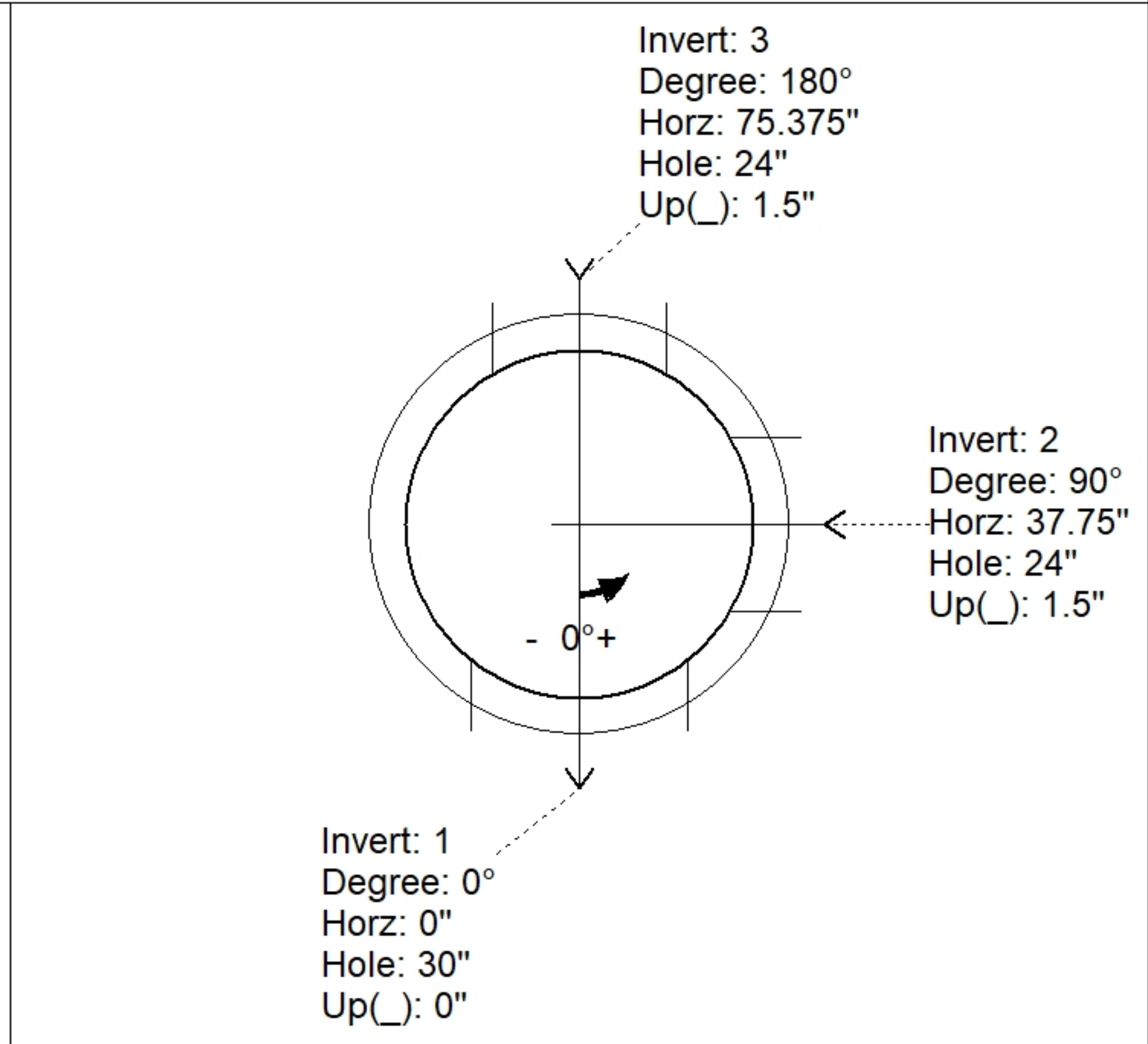
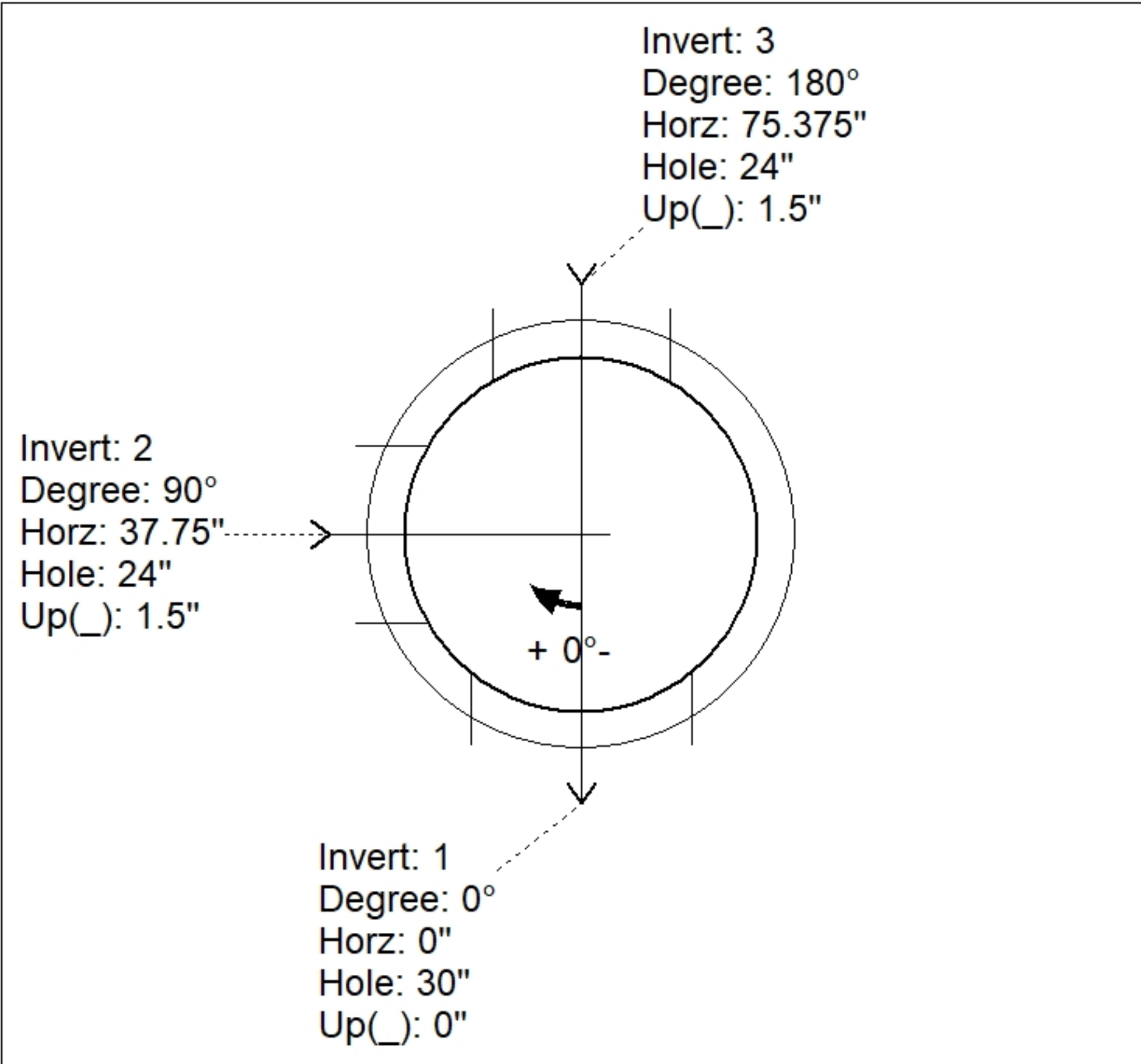
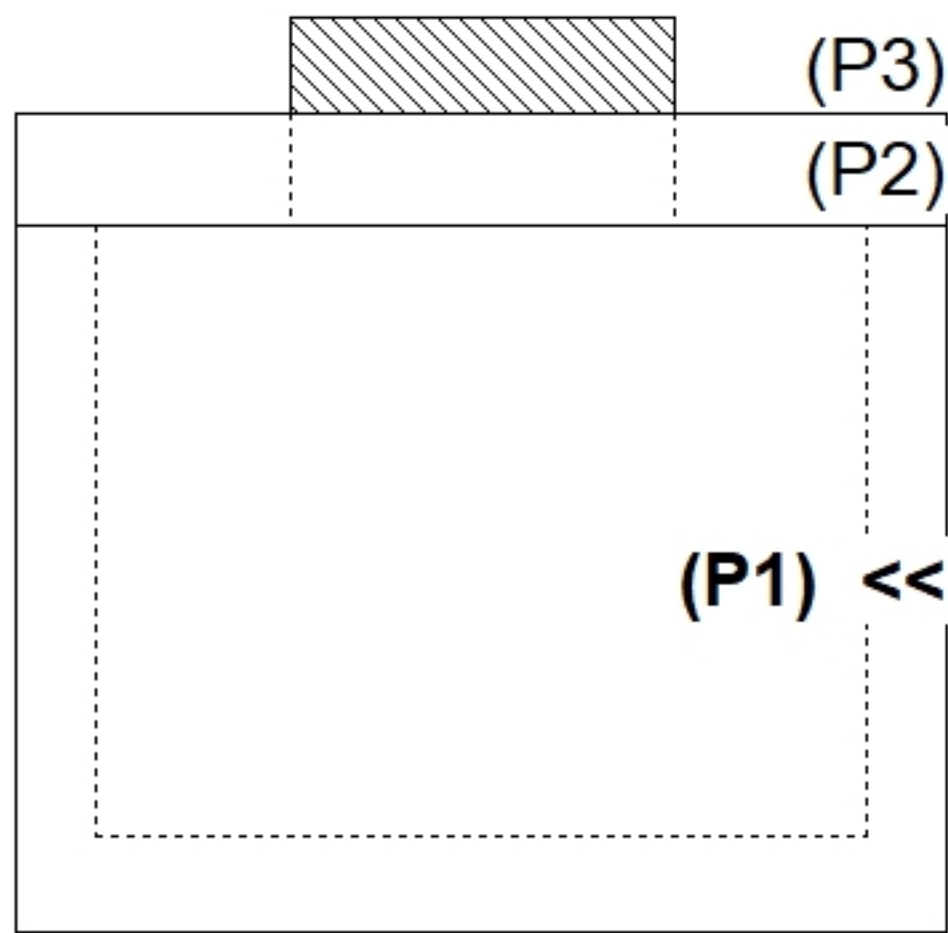
REINFORCING PER ASTM A615 (GRADE 60).
 - TOP SLAB (As .62) #5 BARS AT 6" C.C.E.W..
 - RISER/WALLS (As .12)
 - FLOOR (As .31) #5 BARS AT 12" C.C.E.W.

Rim: 505.97' Rim to Invert: 4.12' Slack: 0.34" Sump: 1.9" Step Position:

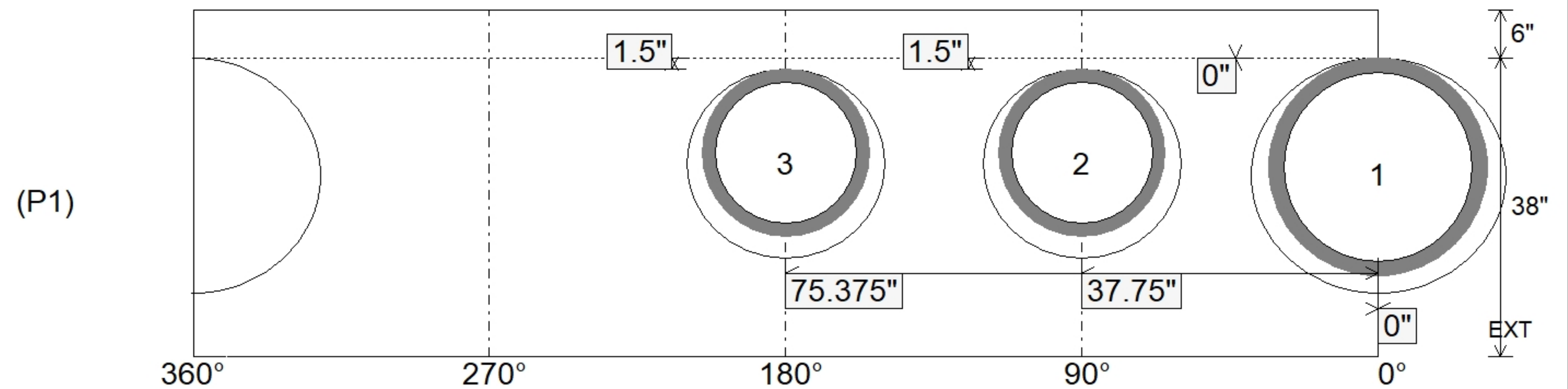
Position	Elev	Angle	Ext. (cw)	Pipe	Pipe OD	Connector	Hole	Horz Size	Up ()	Offset
Invert 1	501.85'	0°	0"	24" HDPE	27.8"	Hole 30	30"	32.406"	0"	0"
Invert 2	501.95'	90°	45.5"	18" HDPE	21.2"	Hole 24	24"	25.133"	1.5"	0"
Invert 3	501.95'	180°	91.125"	18" HDPE	21.2"	Hole 24	24"	25.133"	1.5"	0"
Invert 4										
Invert 5										
Invert 6										
Invert 7										
Invert 8										

RIGHT-SIDE UP VIEW (int. dimensions)

UPSIDE-DOWN VIEW (int. dimensions)



INSIDE WALL DIMENSIONS



Coating (Int):	Seam Up: Flat	Wall Thickness: 5"	Height (Int): 38"	Weight (Net): 3274 lb
Coating (Ext):	Seam Dn: n/a	Floor Height: 6"	Height (Ext): 44"	Volume (Net): 0.84cu.yd