

Job Name: 25-2511B - Blue Sky Sec 1 (Storm)	Plant: 100	Tech: J. Horsley - F
Job Location: Clarksville, TN	11/19/2025 3:13:45 PM	PC: A. Chambers
Contractor: Byard Construction, LLC		

Structure ID: N

P1 BX28108-06W06F-BAVF

BOX BASE 6inW, 6inF, Variable Ht F/n

- P2) 28" x 108" - CASTING HEIGHT (CI TRPL) - 6"
- P1) 28" x 108" - BOX BASE 6inW, 6inF, Variable Ht F/n - 38"
- 1) Conseal CS-102 1.00" (Single)
- 3) CASTING - JBS 3080-V SET (F/G/H)
- 2) Hole - 24

0 lb
7624 lb
0 lb
1500 lb
0 lb

Structure Total: 9124 lb

- Structure Notes:
1. PER ASTM C913 SPECIFICATIONS.
 2. CONCRETE = 4,000 PSI AT 28 DAYS.
 3. NO STEPS AND NO INVERT CHANNEL.
 4. CASTING BY I-CAST (3 ea. - JBS 3080-V SET (F/G/H)).

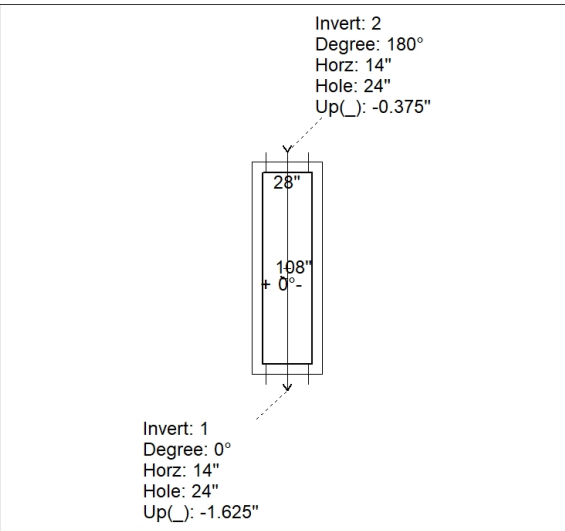
REINFORCING PER ASTM A615 (GRADE 60).
- WALLS (As .12) #5 BARS AT 12" C.C.E.W.
- FLOOR (As .12) #5 BARS AT 12" C.C.E.W.

Rim: 508.67' Rim to Invert: 3.7' Slack: 0.4" Sump: 0" Step Position:

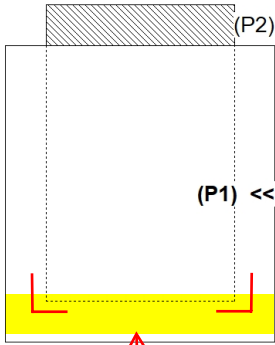
Position	Elev	Angle	Ext. (cw)	Pipe	Pipe OD	Connector	Hole	Horz Size	Up ()	Offset
Invert 1	504.97'	0°	20"	18" HDPE	21.2"	Hole 24	24"	24"	-1.625"	0"
Invert 2	505.07'	180°	20"	18" HDPE	21.2"	Hole 24	24"	24"	-0.375"	0"
Invert 3										
Invert 4										
Invert 5										
Invert 6										
Invert 7										
Invert 8										

RIGHT-SIDE UP VIEW (int. dimensions)

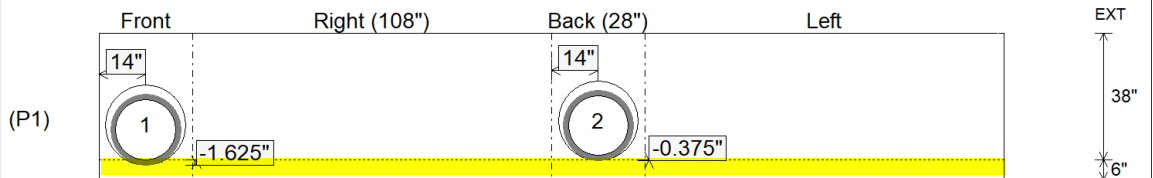
UPSIDE-DOWN VIEW (int. dimenions)



1ST POUR (FLOOR) = 2,417 LBS
2ND POUR (WALLS) = 5,193 LBS



INSIDE WALL DIMENSIONS



1ST POUR (FLOOR)
STUB #5 L BARS OUT TOP
FLOOR, SPA AT 12" C/C FOR
CONNECTING WALLS

Coating (Int):	Seam Up: Flat	Wall Thickness: 6"	Height (Int): 38"	Weight (Net): 7624 lb
Coating (Ext):	Seam Dn: n/a	Floor Height: 6"	Height (Ext): 44"	Volume (Net): 1.95cu.yd

Job Name: 25-2511B - Blue Sky Sec 1 (Storm)	Plant: 100	Tech: J. Horsley - F
Job Location: Clarksville, TN	11/19/2025 3:13:45 PM	PC: A. Chambers
Contractor: Byard Construction, LLC		

Structure ID: N

P1A BX28108-06W06F-BAVF

BOX BASE 6inW, 6inF, Variable Ht F/n

- P2) 28" x 108" - CASTING HEIGHT (CI TRPL) - 6"
- P1) 28" x 108" - BOX BASE 6inW, 6inF, Variable Ht F/n - 38"
- 1) Conseal CS-102 1.00" (Single)
- 3) CASTING - JBS 3080-V SET (F/G/H)
- 2) Hole - 24

0 lb
7624 lb
0 lb
1500 lb
0 lb

Structure Total: 9124 lb

Structure Notes:
 1. PER ASTM C913 SPECIFICATIONS.
 2. CONCRETE = 4,000 PSI AT 28 DAYS.
 3. NO STEPS AND NO INVERT CHANNEL.
 4. CASTING BY I-CAST (3 ea. - JBS 3080-V SET (F/G/H)).

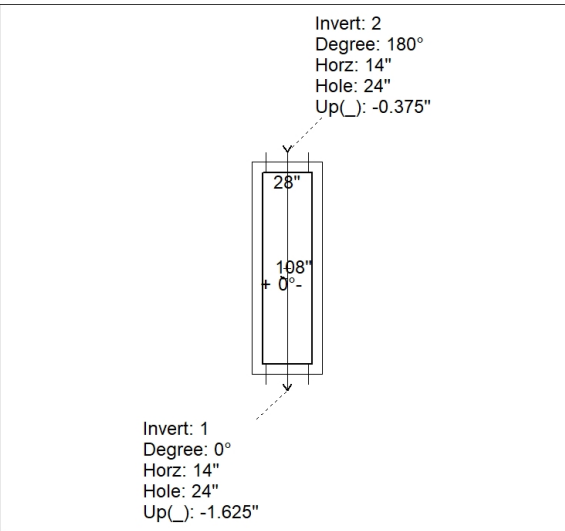
REINFORCING PER ASTM A615 (GRADE 60).
 - WALLS (As .12) #5 BARS AT 12" C.C.E.W.
 - FLOOR (As .12) #5 BARS AT 12" C.C.E.W.

Rim: 508.67' Rim to Invert: 3.7' Slack: 0.4" Sump: 0" Step Position:

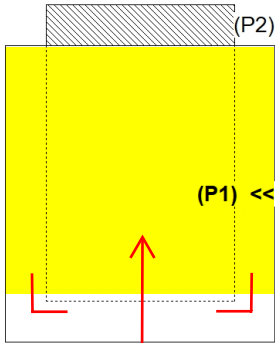
Position	Elev	Angle	Ext. (cw)	Pipe	Pipe OD	Connector	Hole	Horz Size	Up ()	Offset
Invert 1	504.97'	0°	20"	18" HDPE	21.2"	Hole 24	24"	24"	-1.625"	0"
Invert 2	505.07'	180°	20"	18" HDPE	21.2"	Hole 24	24"	24"	-0.375"	0"
Invert 3										
Invert 4										
Invert 5										
Invert 6										
Invert 7										
Invert 8										

RIGHT-SIDE UP VIEW (int. dimensions)

UPSIDE-DOWN VIEW (int. dimenions)

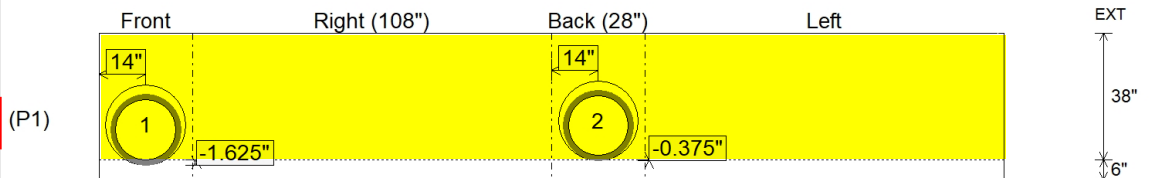


1ST POUR (FLOOR) = 2,417 LBS
 2ND POUR (WALLS) = 5,193 LBS



2ND POUR (WALLS)

INSIDE WALL DIMENSIONS



Coating (Int): Coating (Ext):	Seam Up: Flat Seam Dn: n/a	Wall Thickness: 6" Floor Height: 6"	Height (Int): 38" Height (Ext): 44"	Weight (Net): 7624 lb Volume (Net): 1.95cu.yd
----------------------------------	-------------------------------	--	--	--