

Job Name: 25-2511B - Blue Sky Sec 1 (Storm)

Job Location: Clarksville, TN

Contractor: Byard Construction, LLC

PC: A. Chambers

TECH: J. Horsley - F

Plant: 100



Structure ID: K

Spec: Storm

Type: STM.MH

Size: 48"

Rim: 515'

Invert: 509.14'

Rim to Invert: 5.86'

Sump: 1.9"

Floor (Top): 508.982'

Floor Height: 6"

Floor (Bot): 508.482'

Overall Height: 6.5'

Slack: 0.22"

Structure Notes:

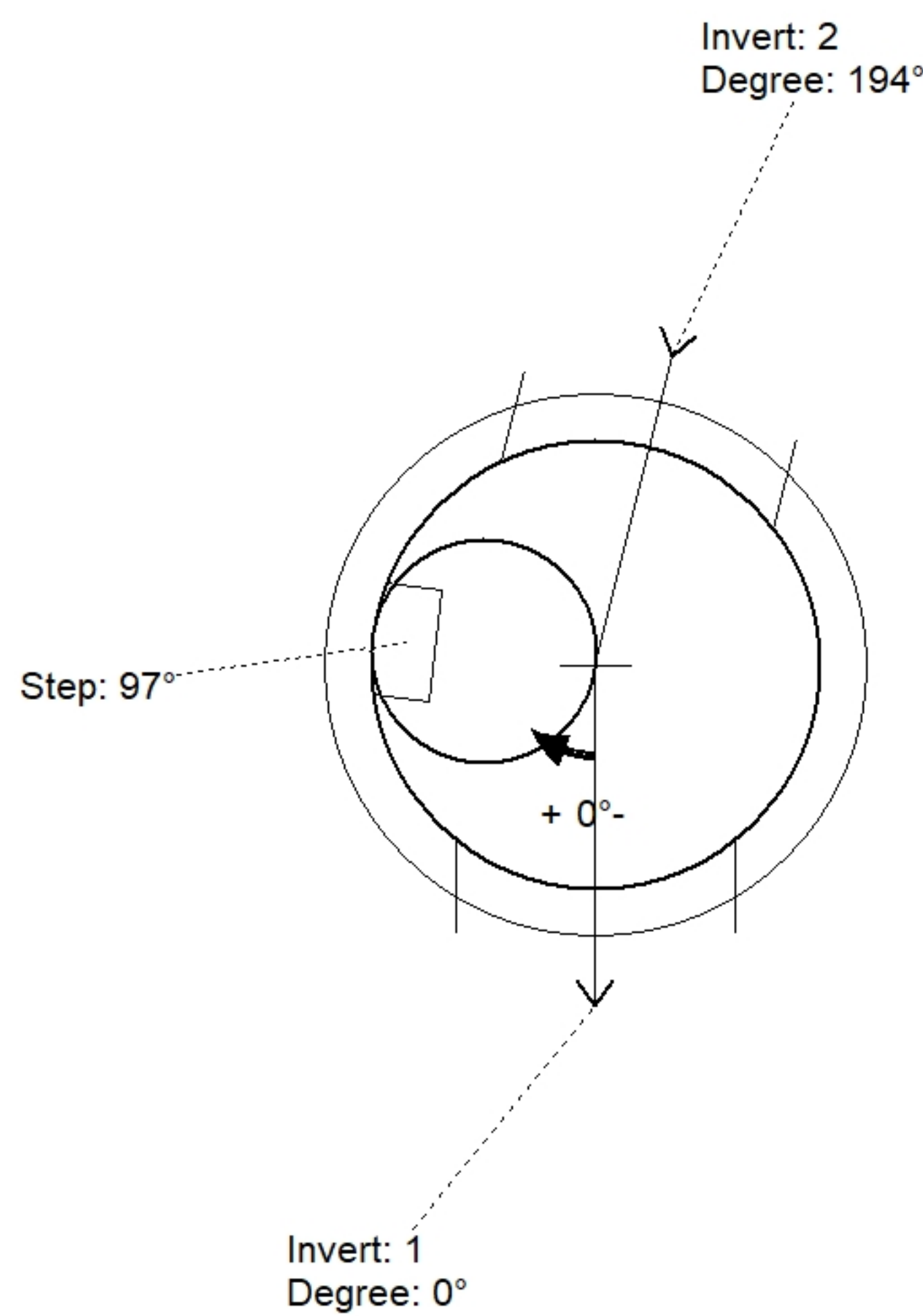
1. PER ASTM C478 SPECIFICATIONS.
2. CONCRETE = 4,000 PSI AT 28 DAYS.
3. NO INVERT CHANNEL.
3. CASTING BY I-CAST (JBS 1155 F/C STORM).

REINFORCING PER ASTM A615 (GRADE 60).

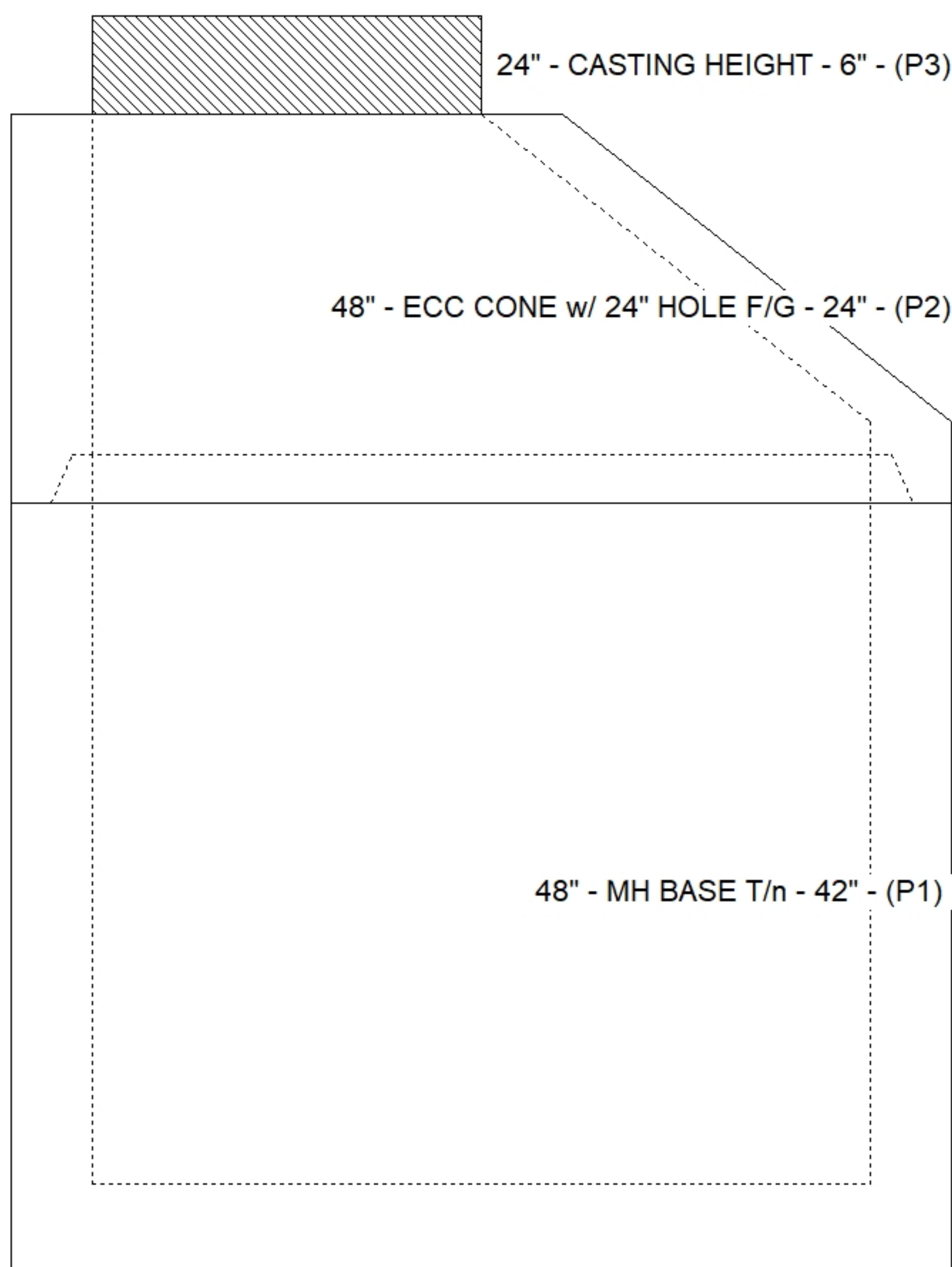
- CONE (As .12)
- RISER/WALLS (As .12)
- FLOOR (As .31) #5 BARS AT 12" C.C.E.W.

STRUCTURE SUMMARY:

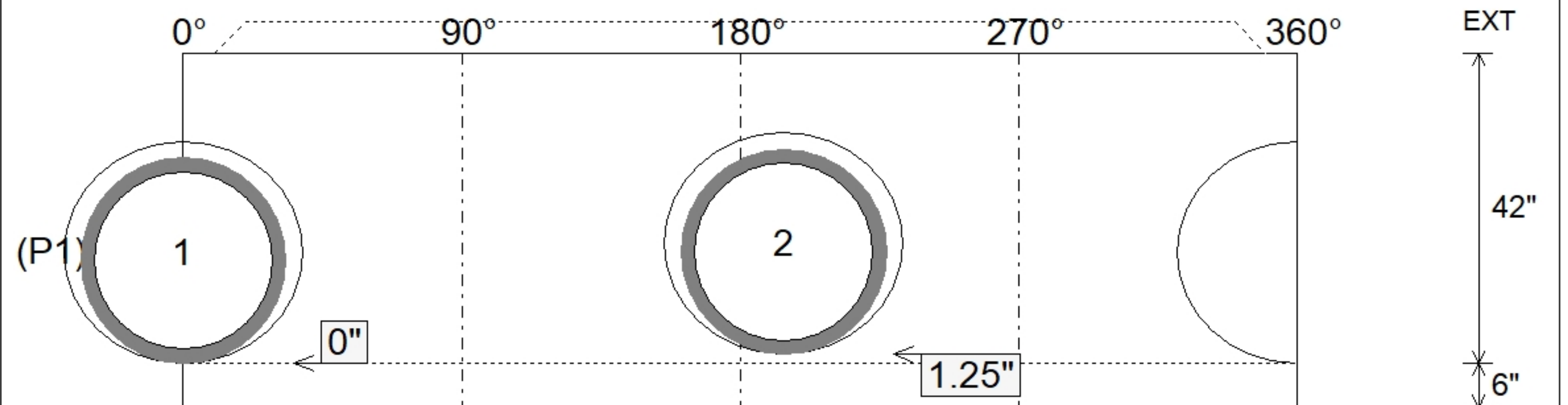
P3) 24" - CASTING HEIGHT - 6"	0 lb
P2) 48" - ECC CONE w/ 24" HOLE F/G - 24"	1550 lb
P1) 48" - MH BASE T/n - 42"	3632 lb
1) Conseal CS-102 1.00" (Single)	0 lb
1) CASTING - JBS 1155 F/C STORM	250 lb
2) Hole - 30	0 lb
5) MH Step ML-10-TDS-NCR - 10"	0 lb
Structure Total:	5432 lb



Position	Elev	Angle	Pipe	Pipe OD	Hole	Connector	Up (L)	Ref
Rim	515'							
Reducer								
Invert 1	509.14'	0°	24" HDPE	27.8"	30"	Hole 30	0"	P1
Invert 2	509.24'	194°	24" HDPE	27.8"	30"	Hole 30	1.25"	P1
Invert 3								
Invert 4								
Invert 5								
Invert 6								
Invert 7								
Invert 8								



Cast (Int. Dim.) - Interior Dimensions



Submittal Drawing
11/17/2025 4:59:27 PM

SUBMITTAL
APPROVED BY: