

Job Name: 25-2511B - Blue Sky Sec 1 (Storm)
 Job Location: Clarksville, TN
 Contractor: Byard Construction, LLC

Plant: 100
 11/17/2025 5:03:02 PM

Tech: J. Horsley - F
 PC: A. Chambers



Structure ID: K

P2 MH048CN24

ECC CONE w/ 24" HOLE F/G

- P3) 24" - CASTING HEIGHT - 6"
- P2) 48" - ECC CONE w/ 24" HOLE F/G - 24"
- P1) 48" - MH BASE T/n - 42"
- 1) Conseal CS-102 1.00" (Single)
- 1) CASTING - JBS 1155 F/C STORM
- 2) Hole - 30
- 5) MH Step ML-10-TDS-NCR - 10"

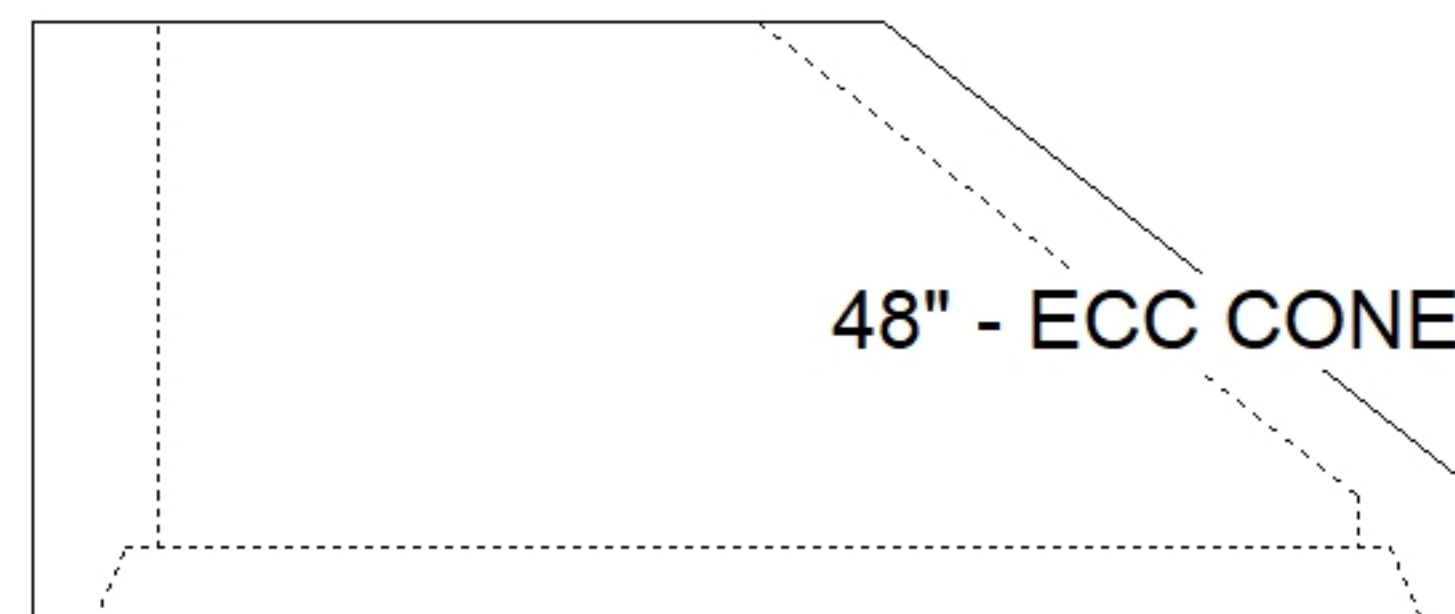
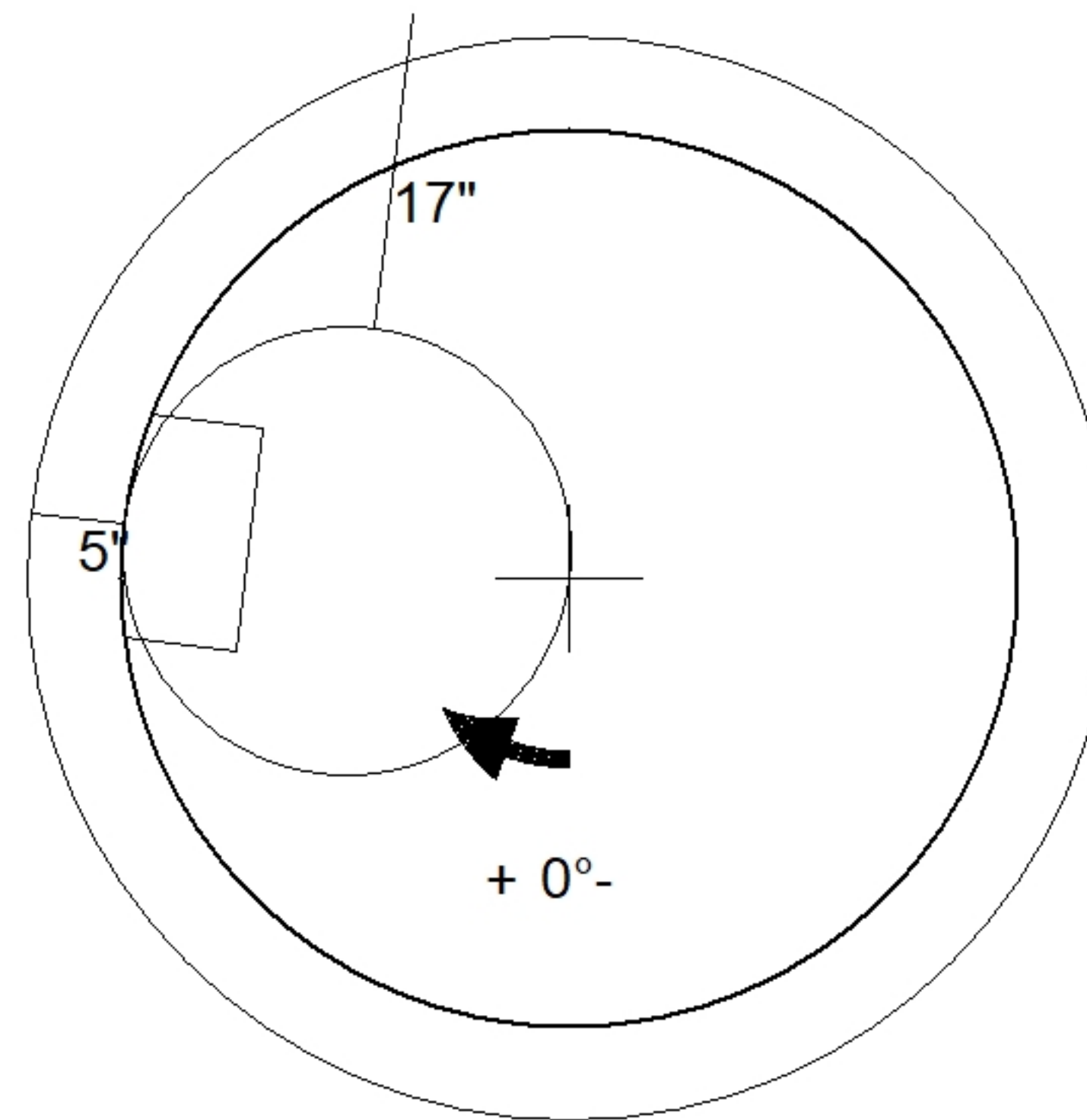
0 lb
 1550 lb
 3632 lb
 0 lb
 250 lb
 0 lb
 0 lb

 0 lb

Structure Total: 5432 lb

Structure Notes:
 1. PER ASTM C478 SPECIFICATIONS.
 2. CONCRETE = 4,000 PSI AT 28 DAYS.
 3. NO INVERT CHANNEL.
 3. CASTING BY I-CAST (JBS 1155 F/C STORM).

 REINFORCING PER ASTM A615 (GRADE 60).
 - CONE (As .12)
 - RISER/WALLS (As .12)
 - FLOOR (As .31) #5 BARS AT 12" C.C.E.W.



48" - ECC CONE w/ 24" HOLE F/G - 24" - (P2)

Coating (Int):
 Coating (Ext):

Seam Up: Flat
 Seam Dn: Groove

Wall Thickness: 5"

Height (Ext): 24"

Weight (Net): 1550 lb
 Volume (Net): 0.33cu.yd